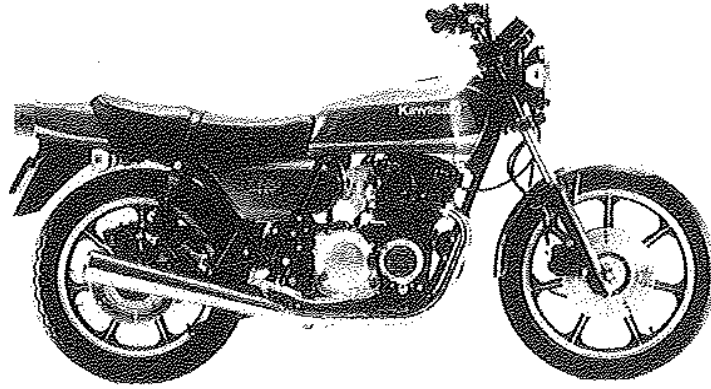
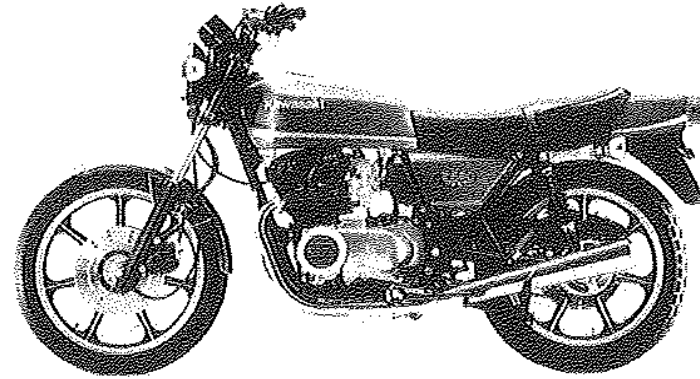


# Z550-B2

ライト サイド ビュー



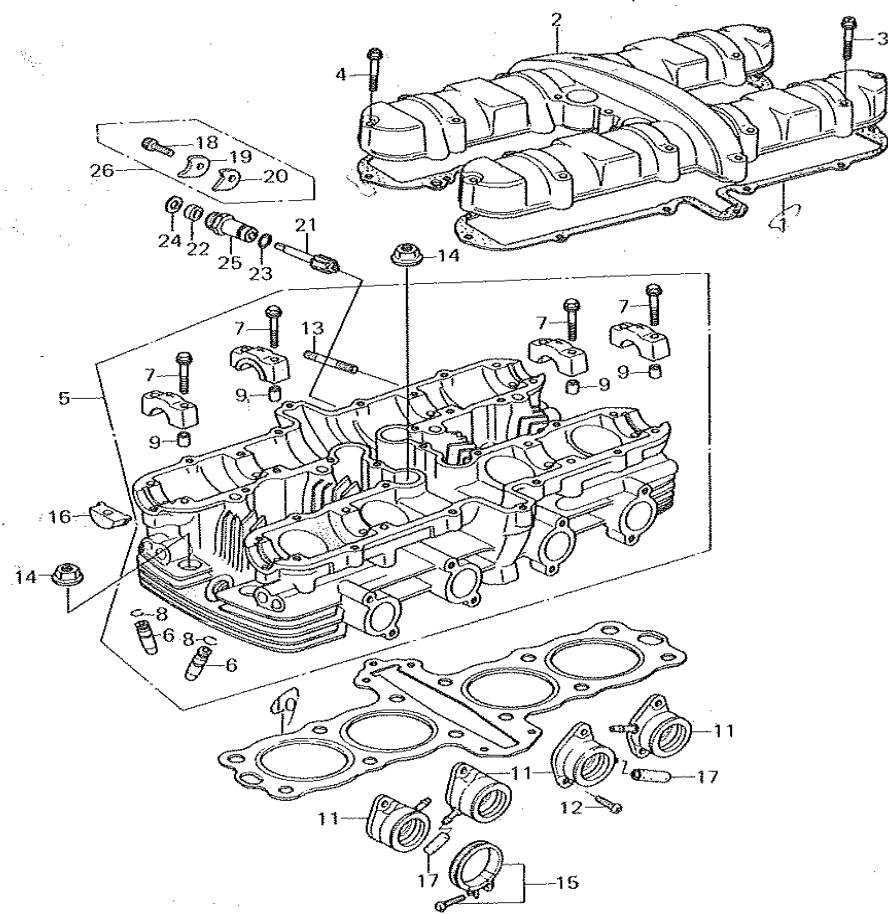
レフト サイド ビュー



- |                 |           |                |
|-----------------|-----------|----------------|
| ● カラー           | フューエルタンク  | ルミナス パッション レッド |
|                 |           | サンダンス ブルー      |
|                 | フロントフェンダー | クロームメッキ        |
| ● エンジンナンバー      |           | KZ550AE011601~ |
| ● フレームナンバー      |           | KZ550B-000011~ |
| ● サービスマニュアルナンバー |           | 99925-1010-02  |

# 1. Cylinder Head Cover, Cylinder Head

Rev. No.	Date
----------	------

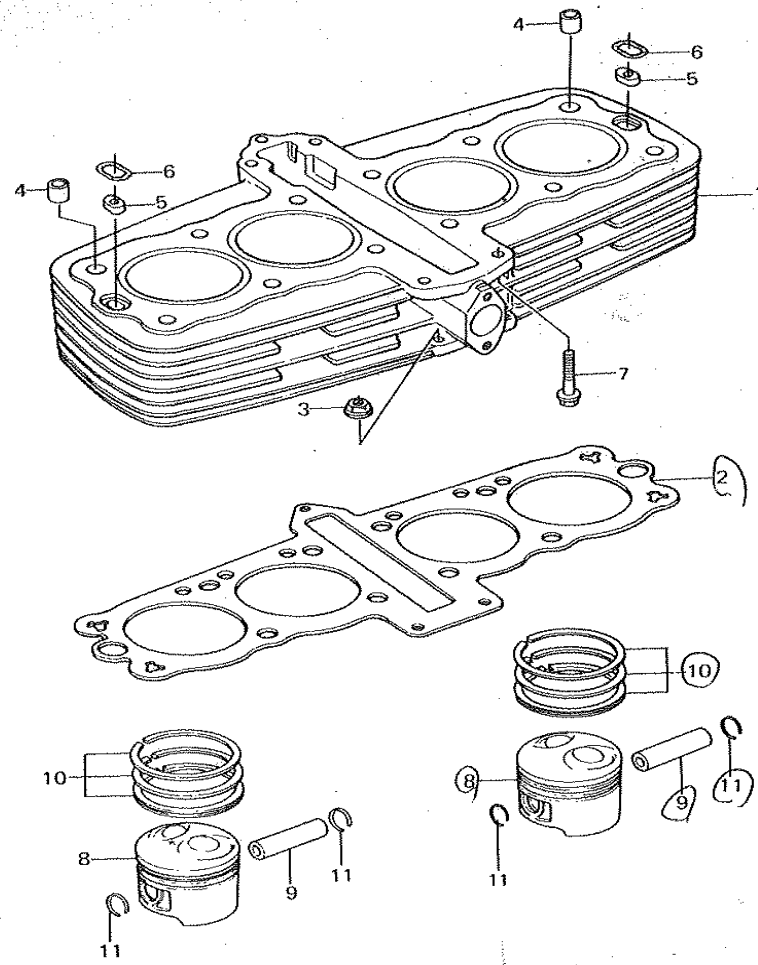


Ref. No.	Part No.	Part Name	Quantity	Remarks
1	11009-1058	GASKET, cylinder head cover	1	
2	14025-1167	COVER, cylinder head, Flat Black	1	
3	92001-164	BOLT, flanged, 6 x 35	20	
4	92001-165	BOLT, flanged, 6 x 45	4	
5	11002-1062	HEAD ASSY, cylinder, Flat Black	1	
6	49002-1005	GUIDE, valve	8	
7	92001-1105	BOLT, flanged, 6 x 38	16	
8	92036-023	CIRCLIP, valve guide	8	
9	92042-007	PIN, dowel, 6.3 x 8 x 14	16	
10	11004-1021	GASKET, cylinder head	1	
11	16065-1014	HOLDER, carburetor	4	
12	22080614	SCREW, pan head, 6 x 14	8	
13	92004-066	STUD, 6 x 27	8	
14	92015-1077	NUT, flanged, 8 m/m	12	
15	92037-1129	CLAMP, carburetor holder, 40 m/m	4	
16	92066-1011	PLUG, cam shaft	4	
17	92068-006	PLUG, carburetor holder	4	
18	120P0614	BOLT, socket, 6 x 14	1	
19	13091-1008	HOLDER, tachometer, 2.3 t	1	
20	13091-1009	HOLDER, tachometer, 3.2 t	1	
21	13223-011	GEAR, tachometer, 10T	1	
22	92050-075	OIL SEAL, tachometer gear	1	
23	92055-096	"O" RING, 10 m/m	1	
24	92065-103	GASKET, tachometer gear	1	
25	92087-010	GUIDE, tachometer gear	1	
26	13091-5001	HOLDER SET, tachometer gear	1	

111-1138, 191-1008

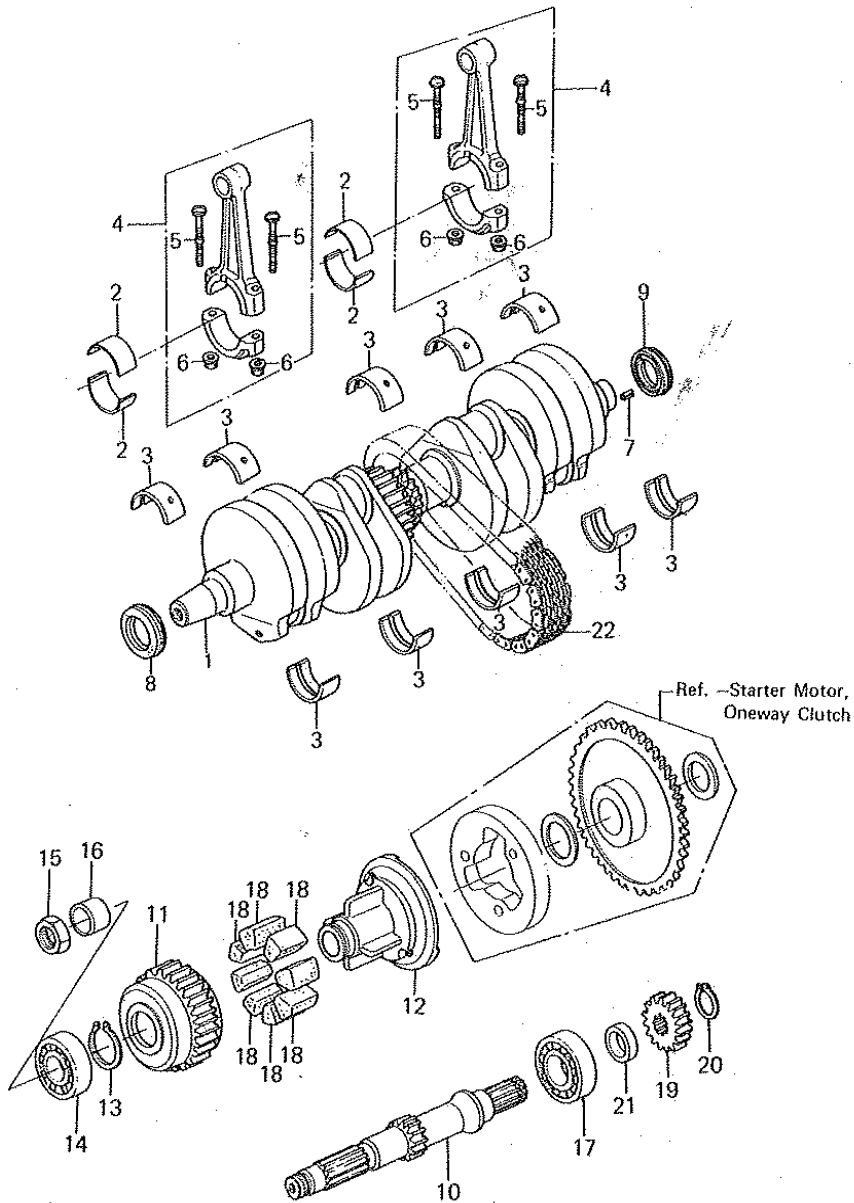
# 4. Cylinder, Pistons

Rev. No.	Date
----------	------



Ref. No.	Part No.	Part Name	Quantity	Remarks
1	11005-1076	CYLINDER ASSY, Flat Black	1	
2	11009-1169	GASKET, cylinder base	1	
3	92015-1078	NUT, 6 m/m	3	
4	92042-031	PIN, dowel, 12 x 14 φ	2	
5	92043-1059	PIN, oil line	2	
6	92055-111	"O" RING, oil line	2	
7	92003-202	BOLT, hex head, 6 x 28	5	
8	13001-1033	PISTON, engine, S.T.D.	4	
	13027-1017	PISTON, engine, 0.040", O/S	(4)	
	13029-1016	PISTON, engine, 0.020", O/S	(4)	
9	13002-1012	PIN, piston	4	
10	13008-1007	RING SET, piston, S.T.D.	4	
	13024-1006	RING SET, piston, 0.040", O/S	(4)	
	13025-1006	RING SET, piston, 0.020", O/S	(4)	
11	92033-1050	CIRCLIP, piston	8	

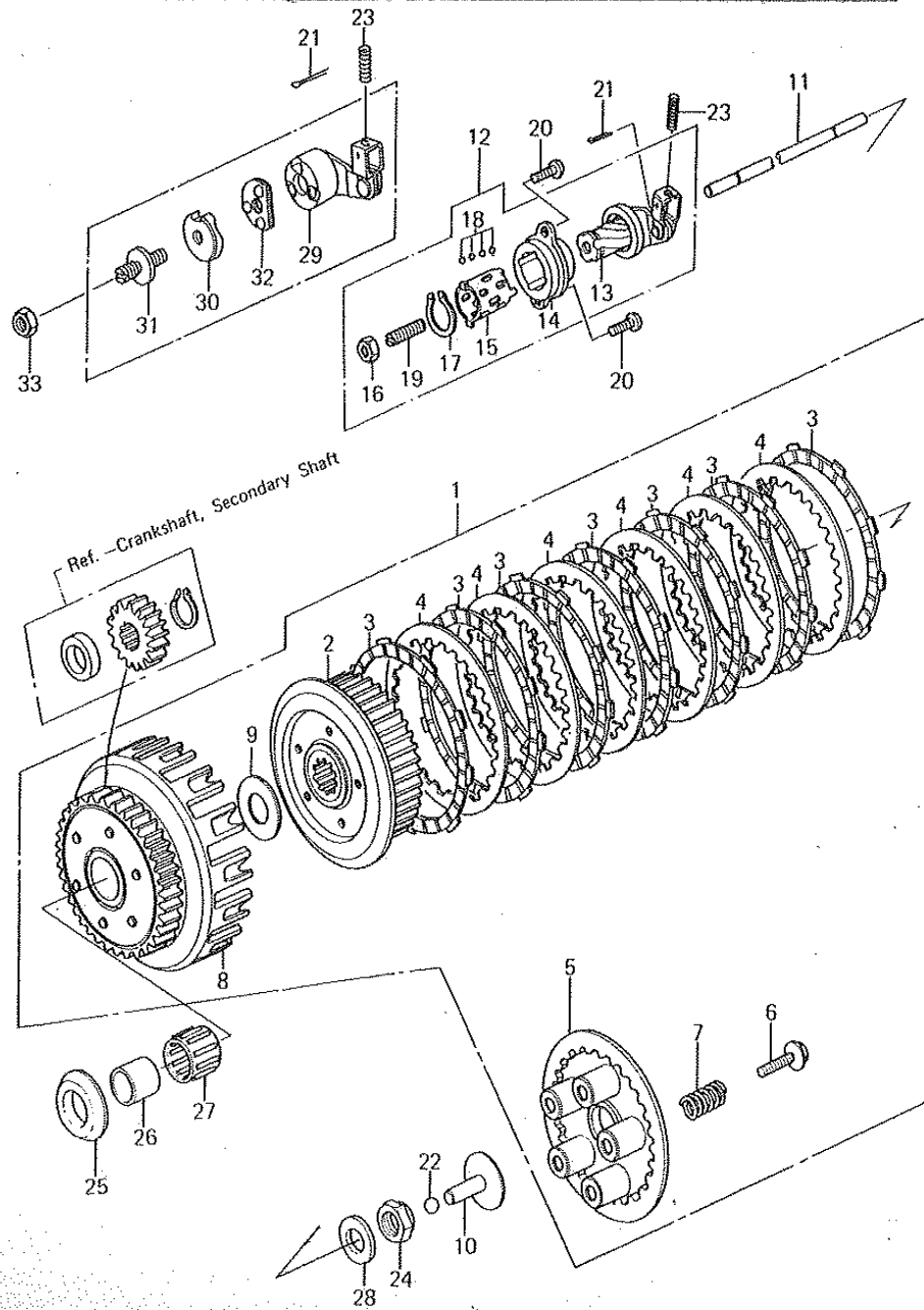
# 5. Crankshaft, Secondary Shaft



Ref. No.	Part No.	Part Name	Quantity	Remarks
1	13031-1014	CRANKSHAFT ASSY	1	
2	13034-1004	METAL, connecting rod big end	AR	"Blue Mark"
	13034-1005	METAL, connecting rod big end	AR	"Black Mark"
	13034-1006	METAL, connecting rod big end	AR	"Brown Mark"
3	13034-1016	METAL, crankshaft bearing	AR	"Brown Mark"
	13034-1017	METAL, crankshaft bearing	AR	"Black Mark"
	13034-1018	METAL, crankshaft bearing	AR	"Blue Mark"
4	13251-1004-EE	CONNECTING ROD ASSY	4	"E" Mark
	13251-1004-GG	CONNECTING ROD ASSY	4	"G" Mark
5	92001-1053	BOLT, connecting rod	8	
6	92016-060	NUT, connecting rod	8	
7	92042-034	PIN, spring, 4 x 8	1	
8	92049-1013	OIL SEAL, crankshaft, L. H.	1	
9	92050-081	OIL SEAL, crankshaft, R. H.	1	
10	13127-1007	SHAFT, secondary	1	
11	42034-1004	COUPLING, outer, secondary shaft	1	
12	42034-1005	COUPLING, inner, secondary shaft	1	
13	480J2800	CIRCLIP, 28 m/m	1	
14	601B6205	BEARING, ball, secondary shaft, L. H.	1	# 6205
15	92015-019	NUT, 18 m/m	1	
16	92028-1037	BUSHING, secondary shaft, 20 x 25 x 16.6	1	
17	92045-1017	BEARING, ball, secondary shaft, R. H.	1	# 63/22X
18	92075-1070	DAMPER RUBBER, coupling	8	
19	13097-1035	GEAR, primary, secondary shaft, .26T	1	
20	480J2200	CIRCLIP, 22 m/m	1	
21	92027-1107	COLLAR, secondary shaft primary gear	1	
22	92057-1011	CHAIN, primary drive, # 63-139 x 50L	1	

# 8. Clutch

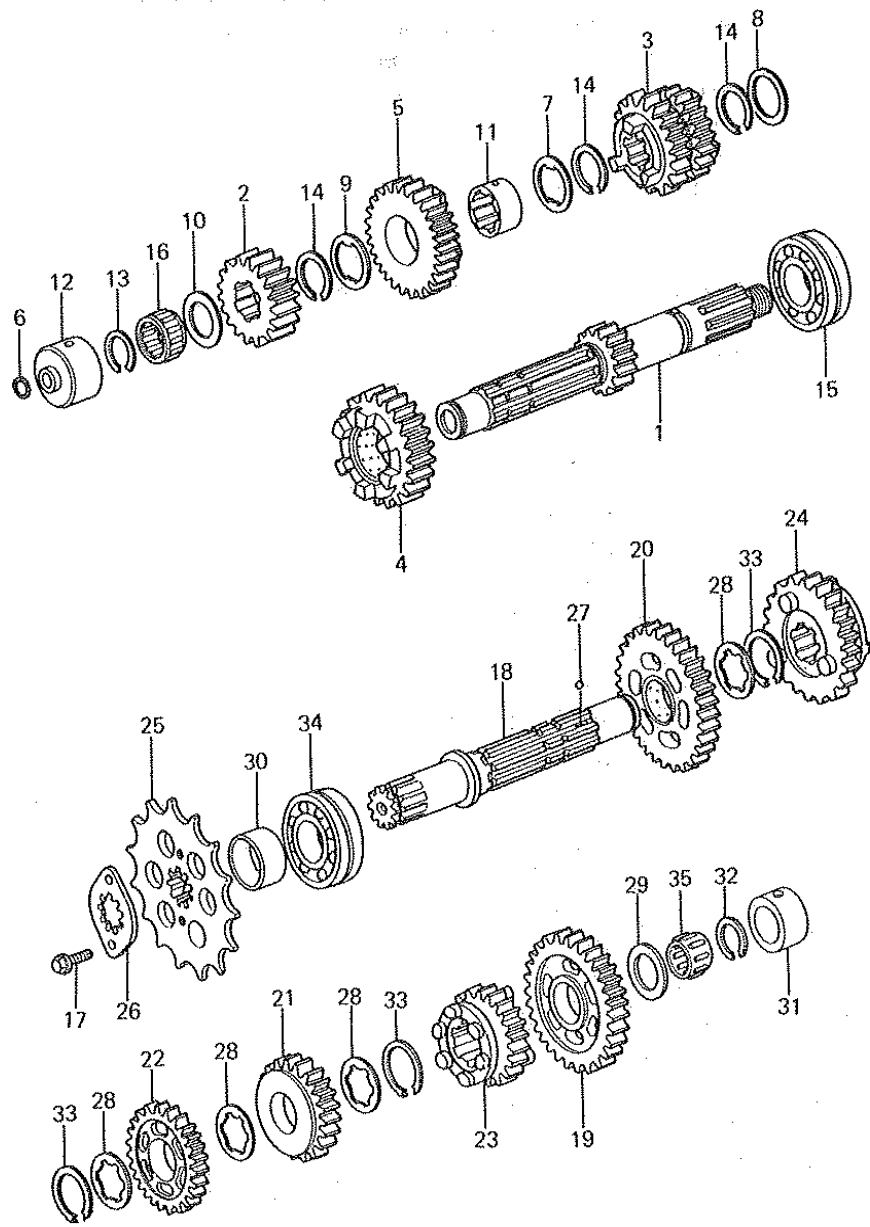
Rev. No.	Date
----------	------



Ref. No.	Part No.	Part Name	Quantity	Remarks
1	13081-1044	CLUTCH ASSY	1	
2	13087-1004	HUB, clutch	1	
3	13088-040	PLATE, clutch friction	7	
4	13089-026	PLATE, clutch steel	6	
5	13187-008	PLATE, clutch operating	1	
6	92001-1086	BOLT, clutch spring plate	5	
7	92081-139	SPRING, clutch	5	
8	13095-1030	HOUSING, clutch, 65T	1	
9	92026-022	SPACER, thrust, 25.5 x 47 x 2.5 t	1	
10	13116-029	PUSHER, clutch spring plate	1	
11	13116-1007	ROD, clutch push, 8 x 270	1	
12	13231-020	RELEASE ASSY, clutch	1	
13	13102-027	INNER, clutch release	1	
14	13118-011	OUTER, clutch release	1	
15	13197-004	RETAINER	1	
16	318B0800	NUT, 8 m/m	1	USE WITH 14026-1015
17	480J1500	CIRCLIP, 15 m/m	1	
18	600A0400	BALL, steel, 1/8"	11	
19	92014-014	SCREW, slotted, 8 x 25	1	
20	22080616	SCREW, pan head, 6 x 16	2	
21	550D1615	PIN, cotter, 1.6 x 15	1	
22	600A1200	BALL, steel, 3/8"	1	
23	92081-069	SPRING, clutch release	1	
24	92015-1053	NUT, 20 m/m	1	
25	92026-116	SPACER, thrust, t = 5.5 m/m	1	
26	92028-178	BUSHING, clutch, 25 x 32 x 23.6	1	
27	92046-028	BEARING, needle, KTV323723C3	1	
28	92125-002	WASHER, spring	1	
29	13102-1008	RELEASE, clutch	1	
30	13119-1003	CAM, clutch release	1	
31	92009-1009	SCREW, slotted, 8 m/m	1	USE WITH 14026-1041 92049-1003
32	92045-1001	BEARING, ball, clutch release	1	
33	318B0800	NUT, 8 m/m	1	

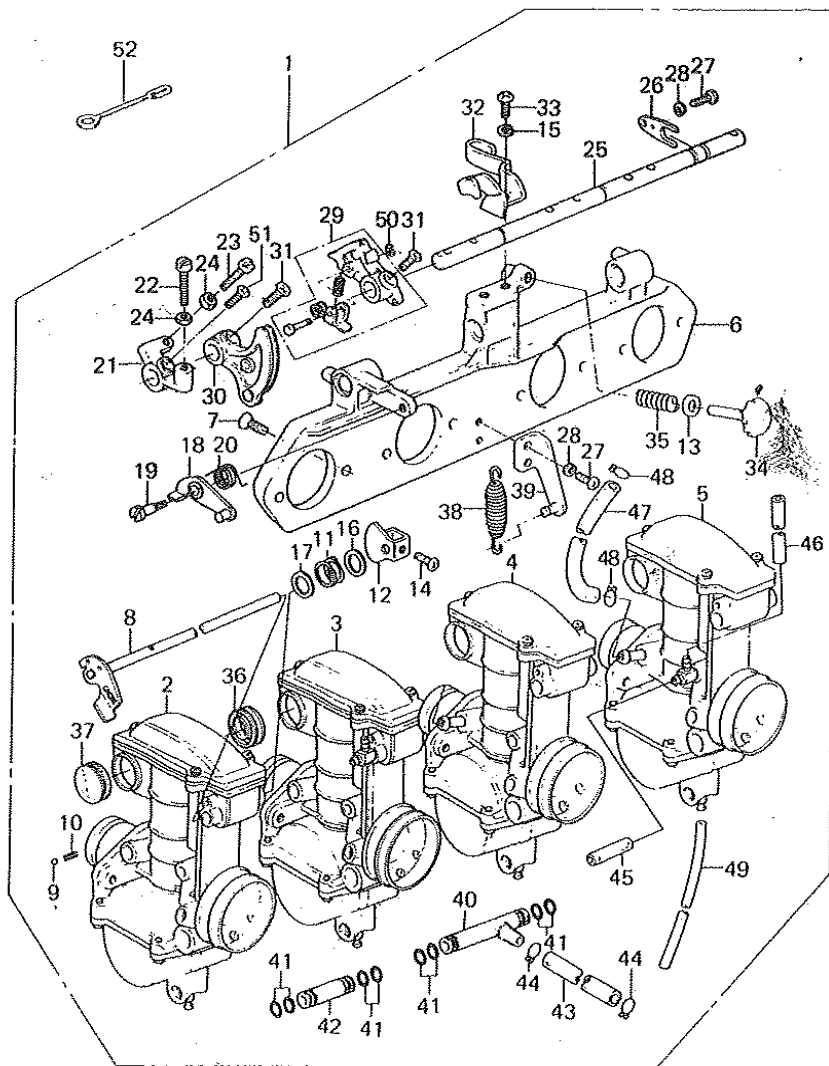
# 9. Transmission Gears

Rev. No.	Date
----------	------



Ref. No.	Part No.	Part Name	Quantity	Remarks
1	13127-1008	SHAFT, drive, 14T	1	
2	13129-1077	2ND GEAR, drive, 18T	1	
3	13129-1079	3RD & 4TH GEAR, drive, 21T x 24T	1	
4	13129-1082	5TH GEAR, drive, 26T	1	
5	13129-1084	TOP GEAR, drive, 27T	1	
6	670B1508	"O" RING, 8 m/m	1	
7	92022-1072	WASHER, lock, 30 x 1.0 t	1	
8	92022-161	WASHER, 25.3 x 30 x 1.0 t	1	
9	92024-033	WASHER, lock, 32 x 1.0 t	1	
10	92026-1022	SPACER, 20.3 x 30 x 2.0 t	1	
11	92028-1003	BUSHING, top gear	1	
12	92028-1032	BUSHING, needle bearing race	1	
13	92033-015	CIRCLIP, 19 m/m	1	
14	92033-026	CIRCLIP, 23 m/m	3	
15	92045-035	BEARING, ball, 83993SH2-CS	1	
16	92046-055	BEARING, needle, RS20/14B	1	
17	130G0612	BOLT, flanged, 6 x 12	2	
18	13128-1009	SHAFT, output	1	
19	13129-1076	LOW GEAR, output, 36T	1	
20	13129-1078	2ND GEAR, output, 32T	1	
21	13129-1080	3RD GEAR, output, 29T	1	
22	13129-1081	4TH GEAR, output, 27T	1	
23	13129-1083	5TH GEAR, output, 25T	1	
24	13129-1085	TOP GEAR, output, 23T	1	
25	13144-1016	ENGINE SPROCKET, 16T	1	
26	13169-1109	PLATE, engine sprocket lock	1	
27	600A0500	BALL, steel, 5/32"	3	
28	92022-1139	WASHER, lock, 33.5 x 1.0 t	4	
29	92026-1022	SPACER, 20.3 x 30 x 2.0 t	1	
30	92027-1106	COLLAR, engine sprocket, 25 x 32 x 23.5	1	
31	92028-180	BUSHING, needle bearing race	1	
32	92033-015	CIRCLIP, 19 m/m	1	
33	92033-1037	CIRCLIP, 25.9 x 1.2 t	3	
34	92045-035	BEARING, ball, 83993SH2-CS	1	
35	92046-055	BEARING, needle, RS20/14B	1	

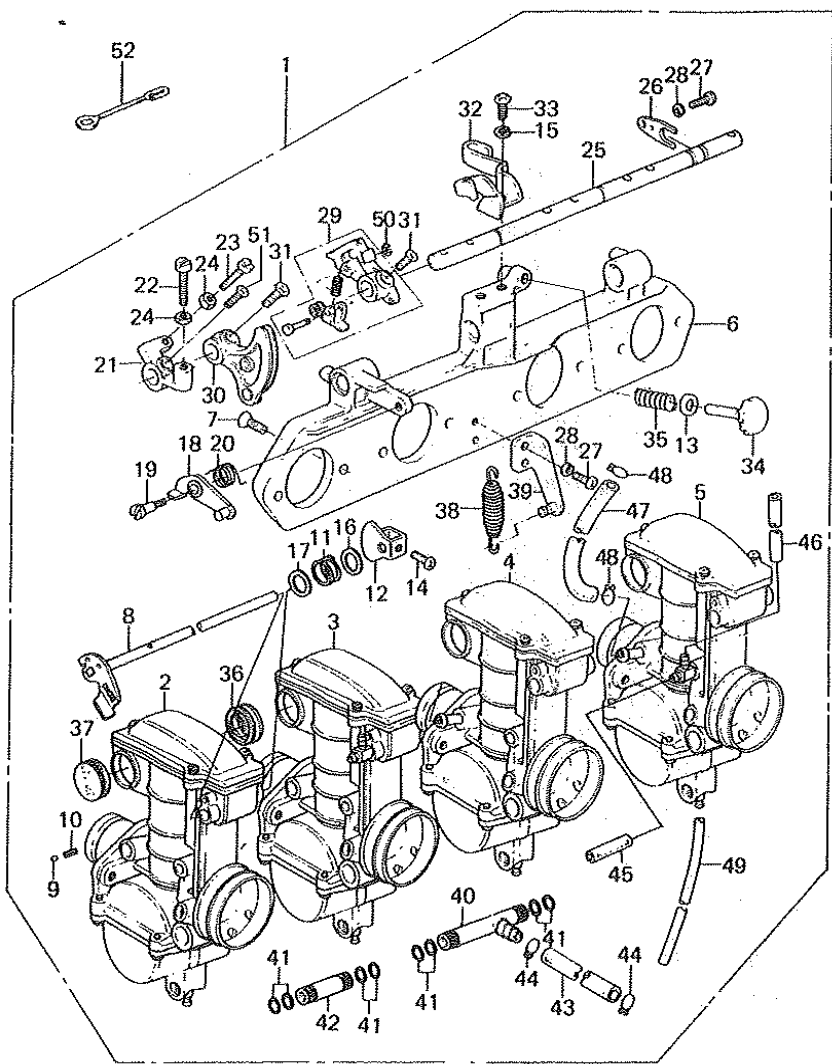
# 14. Carburetor "A" (1/2)



Ref. No.	Part No.	Part Name	Quantity	Remarks
1	16001-1285	CARBURETOR ASSY	1	
2	16001-1305	CARBURETOR, L. H, outside	1	
3	16001-1306	CARBURETOR, L. H, inside	1	
4	16001-1307	CARBURETOR, R. H, inside	1	
5	16001-1308	CARBURETOR, R. H, outside	1	
6	11034-1588	BRACKET, carburetor	1	
7	22180616	SCREW, countersunk head, 6 x 16	8	
8	16041-1021	SHAFT, choke lever	1	
9	600A0500	BALL, steel, 5/32"	1	
10	92081-1195	SPRING, choke lever	1	
11	92081-1191	SPRING, choke lever shaft	1	
12	49060-1002	CAM, choke	1	
13	411B0600	WASHER, plain, 6 m/m	1	
14	22080408A	SCREW, pan head, 4 x 8	1	
15	461F0600	WASHER, spring, 6 m/m	2	
16	92022-1168	WASHER, choke lever shaft spring	1	
17	92022-1169	WASHER, choke lever shaft	1	
18	13168-1053	LEVER ASSY, choke & throttle timing	1	
19	92009-1081	SCREW, timing lever	1	
20	92081-1192	SPRING, timing lever return	1	
21	11034-1590	BRACKET, throttle opening stop	1	
22	92009-1082	SCREW, timing lever adjust, 5 x 25	1	
23	92009-1083	SCREW, throttle open stop adjust, 5 x 16	1	
24	31280500A	NUT, 5 m/m	2	

# 14. Carburetor "A" (2/2)

Rev. No.	Date
----------	------



Ref. No.	Part No.	Part Name	Quantity	Remarks
25	16041-1012	SHAFT, throttle	1	
26	11034-1591	PLATE, throttle shaft stopper	1	
27	22080514A	SCREW, pan head, 5 x 14	3	
28	461F0500	WASHER, spring, 5 m/m	3	
29	13168-1054	LEVER ASSY, throttle cable closing	1	
30	13168-1055	LEVER ASSY, throttle cable opening	1	
31	22180514A	SCREW, countersunk head, 5 x 14	2	
32	11034-1592	BRACKET, throttle cable guide	1	
33	22080614	SCREW, pan head, 6 x 14	2	
34	16021-1017	SCREW, throttle close stop adjust	1	
35	92081-1193	SPRING, adjust screw	1	
36	92093-1033	DUST SEAL, throttle shaft	6	
37	92093-1034	CAP, throttle shaft	2	
38	92081-1263	SPRING, throttle return	1	
39	11034-1593	BRACKET, throttle return spring	1	
40	92005-1020	"T" JOINT, fuel	1	
41	92055-1072	"O" RING, fuel joint	12	
42	92005-1021	JOINT, fuel	2	
43	92059-1098	HOSE, fuel, 7 x 12 x 180	1	
44	92037-1158	CLAMP, fuel hose	2	
45	92059-1099	HOSE, air vent, 4.5 x 8 x 30	2	
46	92059-1100	HOSE, air vent, 4.5 x 8 x 300	2	
47	92059-1101	HOSE, negative pressure, 5.4 x 11.4 x 280	1	
48	92037-1159	CLAMP, negative pressure hose	2	
49	92059-1102	HOSE, overflow, 3.5 x 6.5 x 550	4	
50	482J3000	CIRCLIP, 3 m/m	1	
51	92009-1080	SCREW, countersunk head, 4 x 12	1	
52	92037-134	CLAMP, overflow pipe	1	

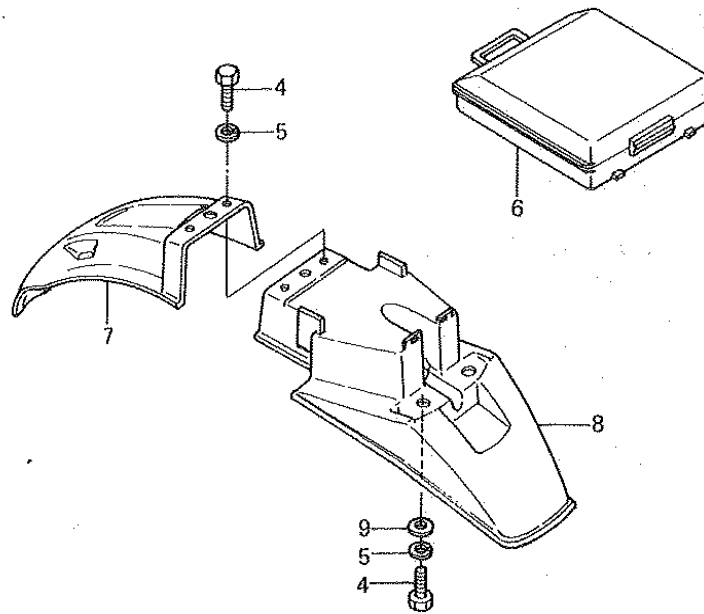
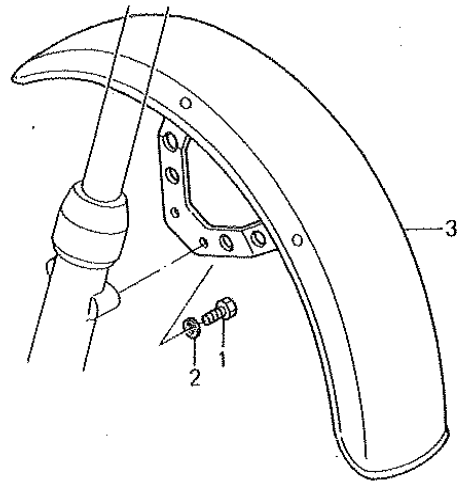


# 29. Fenders

Rev. No.	110	Date
----------	-----	------

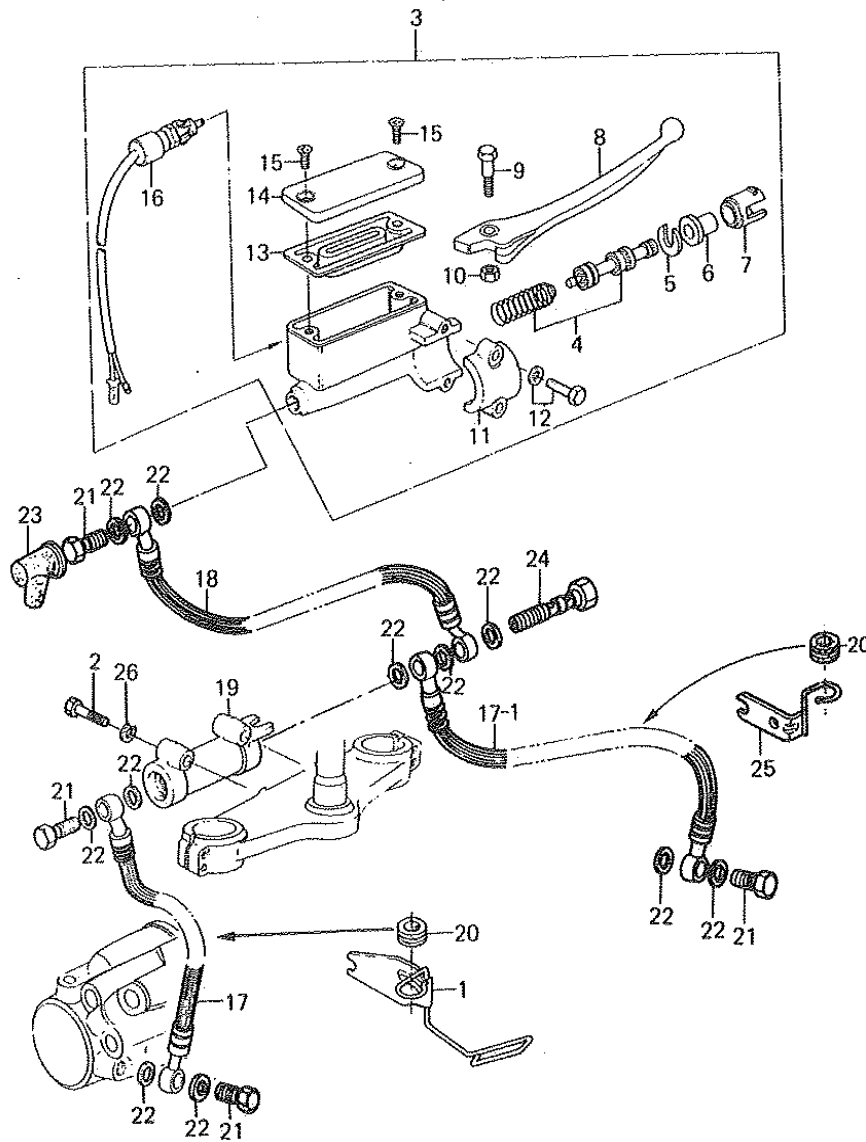
Ref. No.	Part No.	Part Name	Quantity	Remarks
----------	----------	-----------	----------	---------

1	114B0816	BOLT, hex head, 8 x 16	4	
2	461F0800	WASHER, spring, 8 m/m	4	
3	35004-1039	FENDER, front, Cr-plated	1	
4	11080618	BOLT, hex head, 6 x 18	4	
5	461F0600	WASHER, spring, 6 m/m	4	
6	32099-1004	CASE, manual	1	
7	35023-1027	FENDER, rear (Front)	1	
8	35023-1007-6Z	FENDER, rear (Rear), Black	1	
9	92022-125	WASHER, plain, 6.5 x 20 x 1.6	2	



# 31. Front Master Cylinder

Rev. No.	Date
----------	------

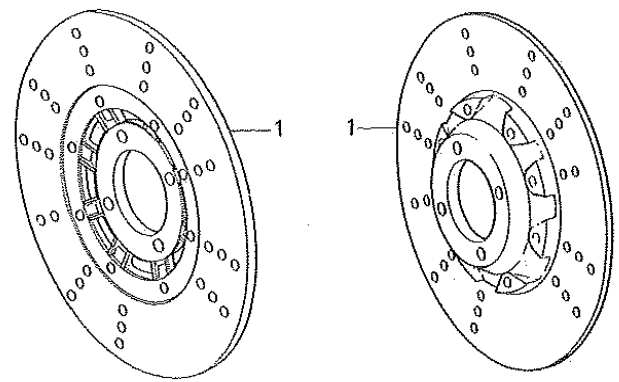
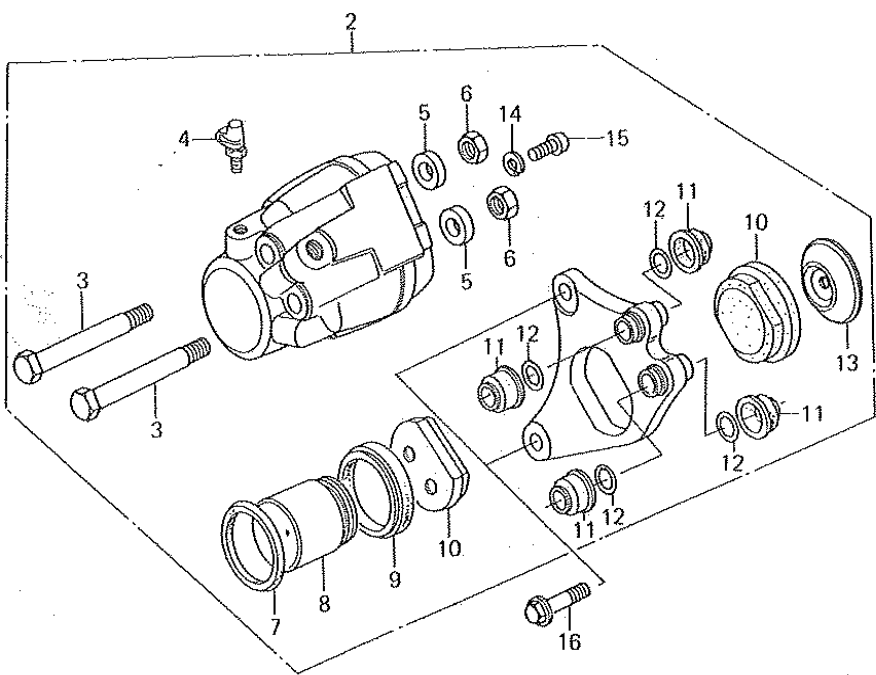


Ref. No.	Part No.	Part Name	Quantity	Remarks
1	11034-1041	BRACKET, front brake hose, L. H.	1	
2	110B0635	BOLT, hex head, 6 x 35	2	
3	43015-1032	CYLINDER ASSY, front master	1	
4	43020-1003	PISTON ASSY, front master cylinder	1	
5	43022-1001	STOPER, piston	1	
6	49016-1010	DUST COVER	1	
7	14008-1007	LINER, piston	1	
8	46092-1004	LEVER, front brake	1	
9	92001-1056	BOLT, brake lever fitting	1	
10	43032-002	NUT, 6 m/m	1	
11	43034-1001	HOLDER, master cylinder	1	
12	43033-003	BOLT, hex head, 6 x 25	2	
13	43028-1008	DIAPHRAGM	1	
14	43026-1007	CAP, oil cup	1	
15	92001-1055	SCREW, countersunk head	2	
16	27010-1028	SWITCH, brake	1	
17	43059-1045	HOSE, front caliper, L. H, L = 490 m/m	1	
17-1	43059-1031	HOSE, front caliper, R. H, L = 490 m/m	1	
18	43059-1053	HOSE, front master cylinder, L = 360 m/m	1	
19	43061-1002	JOINT, front brake hose	1	
20	43064-006	GROMMET, front brake hose	2	
21	43066-001	BOLT, oil	4	
22	43067-001	WASHER, oil bolt	11	
23	49006-1040	BOOT, dust	1	
24	92001-1203	BOLT, oil	1	
25	43063-008	BRACKET, front brake hose, R. H.	1	
26	461F0600	WASHER, spring, 6 m/m	2	

# 33. Front Caliper

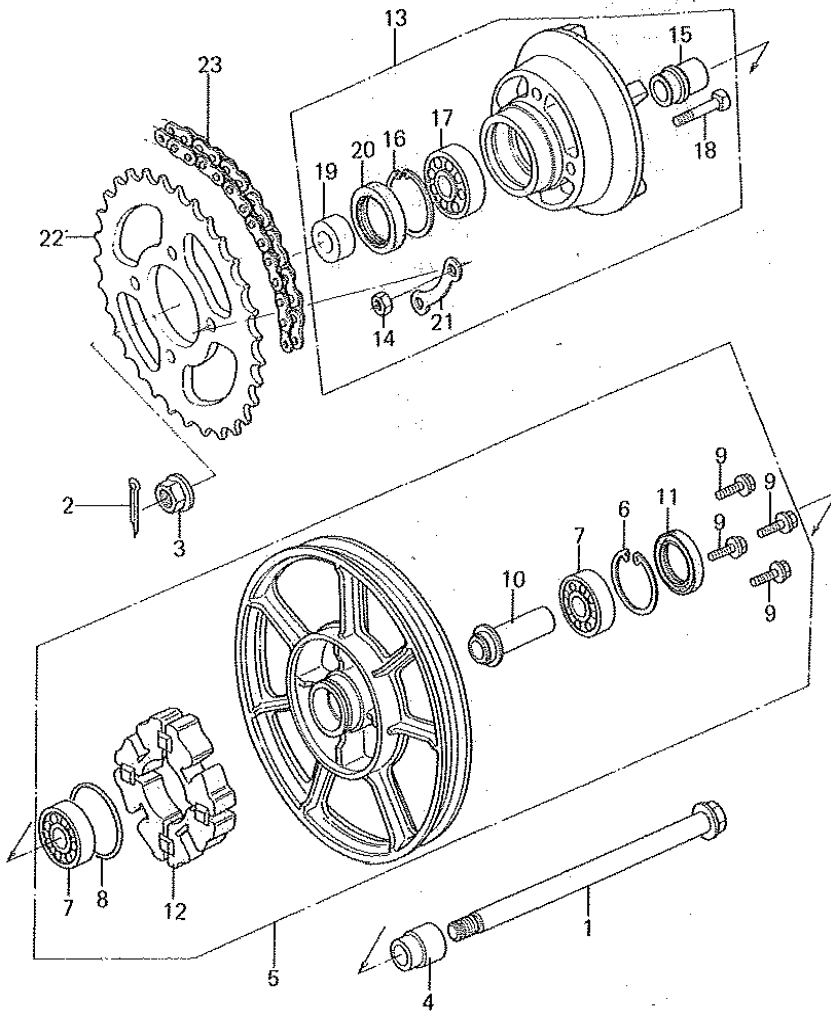
Rev. No.	Date
----------	------

Ref. No.	Part No.	Part Name	Quantity	Remarks
1	41080-1027	DISK PLATE, front brake, $\phi$ 277 x 5 t	2	
2	43041-1031	CALIPER ASSY, front brake, L. H.	1	
	43041-1032	CALIPER ASSY, front brake, R. H.	1	
3	43045-006	BOLT, front caliper	4	
4	43085-001	BLEEDER ASSY	2	
5	43088-002	COLLAR, front caliper	4	
6	315B1000	NUT, 10 m/m	4	
7	43049-001	RING, piston seal	2	
8	43020-1014	PISTON	2	
9	43054-003	DUST SEAL, piston	2	
10	43082-1005	PAD SET, front brake	2	
11	43052-005	DUST SEAL	8	
12	43053-006	"O" RING	8	
13	43040-004	SPACER	2	
14	461F0800	WASHER, spring, 6 m/m	2	
15	220B0612	SCREW, pan head, 6 x 12	2	
16	92001-1209	BOLT, 10 x 47	4	



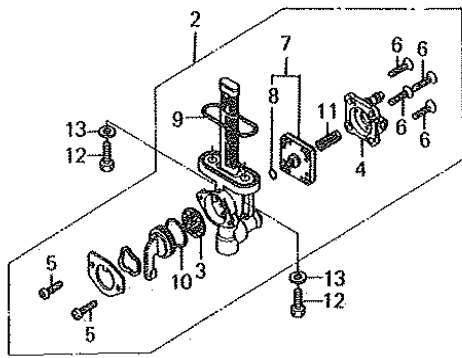
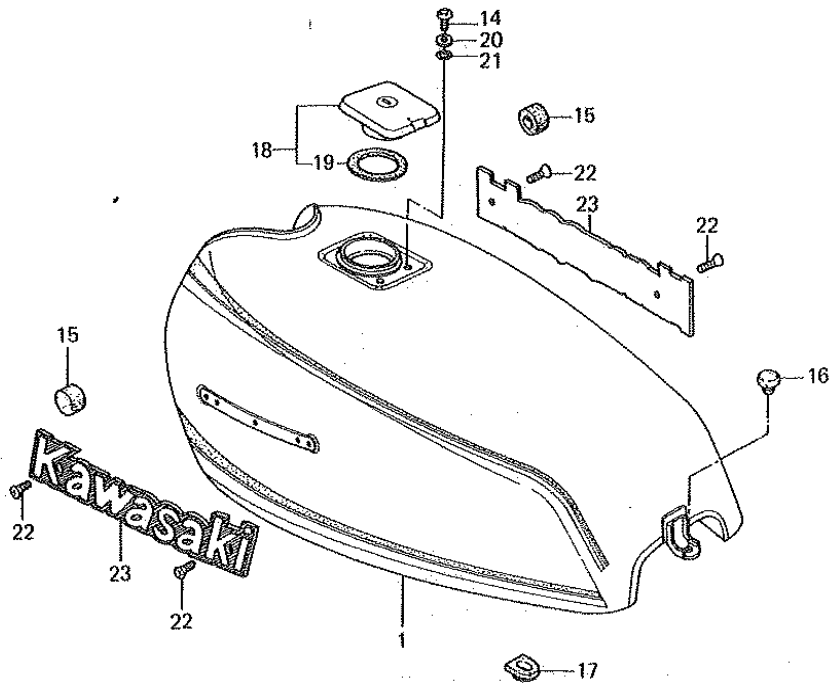
# 36. Rear Hub

Rev. No.	Date
----------	------



Ref. No.	Part No.	Part Name	Quantity	Remarks
1	41068-1020	AXLE, rear	1	
2	550D4025	PIN, cotter, 4.0 x 25	1	
3	92015-1041	NUT, 16 m/m	1	
4	92027-1167	COLLAR, rear axle, R. H, L = 36 m/m	1	
5	41073-1086	SOLID WHEEL ASSY, rear	1	
6	92033-1042	CIRCLIP, 47 m/m	1	
7	601B6303Z	BEARING, ball, # 6303ZC3	2	
8	671B2560	"O" RING, 60 m/m	1	
9	92001-1173	BOLT, 10 x 30	4	
10	92027-1111	COLLAR, rear wheel bearing, L = 69 m/m	1	
11	92049-1008	OIL SEAL, NOK AE1351EO	1	
12	92075-1260	SHOCK DAMPER, rear wheel	1	
13	42033-1022	COUPLING ASSY, rear wheel	1	
14	314B1000	NUT, 10 m/m	4	
15	42036-1024	COLLAR, rear coupling, L = 33 m/m	1	
16	92033-1043	CIRCLIP, 52 m/m	1	
17	601B6205	BEARING, ball, # 6205C3	1	
18	92001-1096	BOLT, rear sprocket, 10 x 60	4	
19	92027-1087	COLLAR, rear axle, L. H, L = 22.5 m/m	1	
20	92052-006	OIL SEAL, WTC35527	1	
21	92088-005	WASHER, lock	2	
22	42041-1055	SPROCKET, rear, 36T, I.D. = 70 m/m	1	
23	92057-1049	CHAIN ASSY, drive, EK530SH-O x 98L	1	

# 37. Fuel Tank

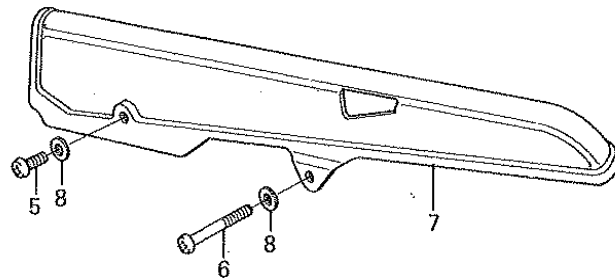
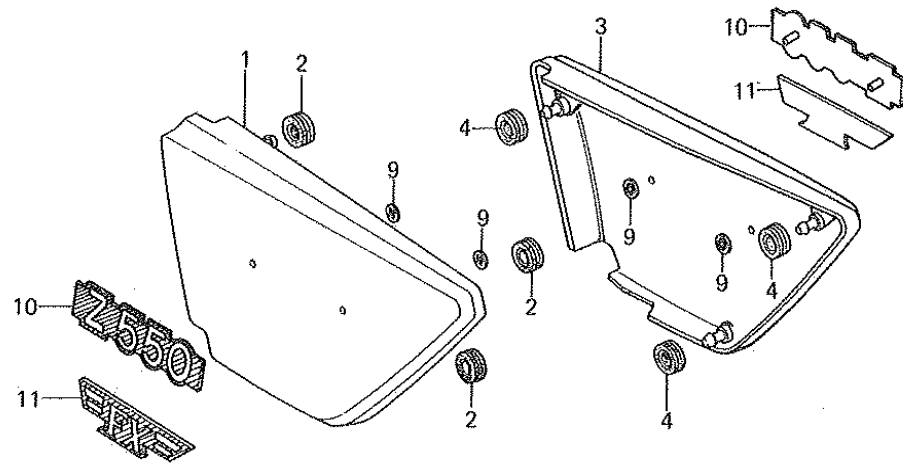


Ref. No.	Part No.	Part Name	Quantity	Remarks
1	51001-1054-8K	TANK, fuel, Sundance Blue	1	
	51001-1054-D9	TANK, fuel, Luminous Passion Red	1	
2	51023-1030	TAP ASSY, fuel	1	
3	11009-1188	GASKET, fuel tap	1	
4	16146-1009	COVER ASSY, fuel tap	1	
5	220B0308A	SCREW, pan head, 3 x 8	2	
6	221B0414A	SCREW, countersunk head, 4 x 14	4	
7	43028-1021	DIAPHRAGM VALVE ASSY	1	
8	670B1504	"O" RING, diaphragm valve	1	
9	51039-003	"O" RING, fuel tap	1	
10	92055-1085	"O" RING, fuel tap lever	1	
11	92081-1240	SPRING, diaphragm valve	1	
12	92001-1091	BOLT, fuel tap fitting, 6 x 20	2	
13	92022-183	WASHER, plain, 6.2 x 11 x 1.5t	2	
14	220B0510A	SCREW, pan head, 5 x 10	2	
15	92075-101	DAMPER RUBBER, fuel tank, front	2	
16	92075-281	DAMPER RUBBER, fuel tank, rear	1	
17	92075-295	DAMPER RUBBER, fuel tank, rear	1	
18	51048-1003	CAP ASSY, fuel tank	1	
19	11009-1051	GASKET, fuel tank cap	1	
20	92022-1038	WASHER, plain, 5.3 x 10 x 0.8t	2	
21	92055-1023	"O" RING, 9 m/m	2	
22	92012-003	SCREW, countersunk head, 3 x 6	4	
23	56014-1043	EMBLEM, fuel tank	2	

# 38. Side Covers, Chain Cover

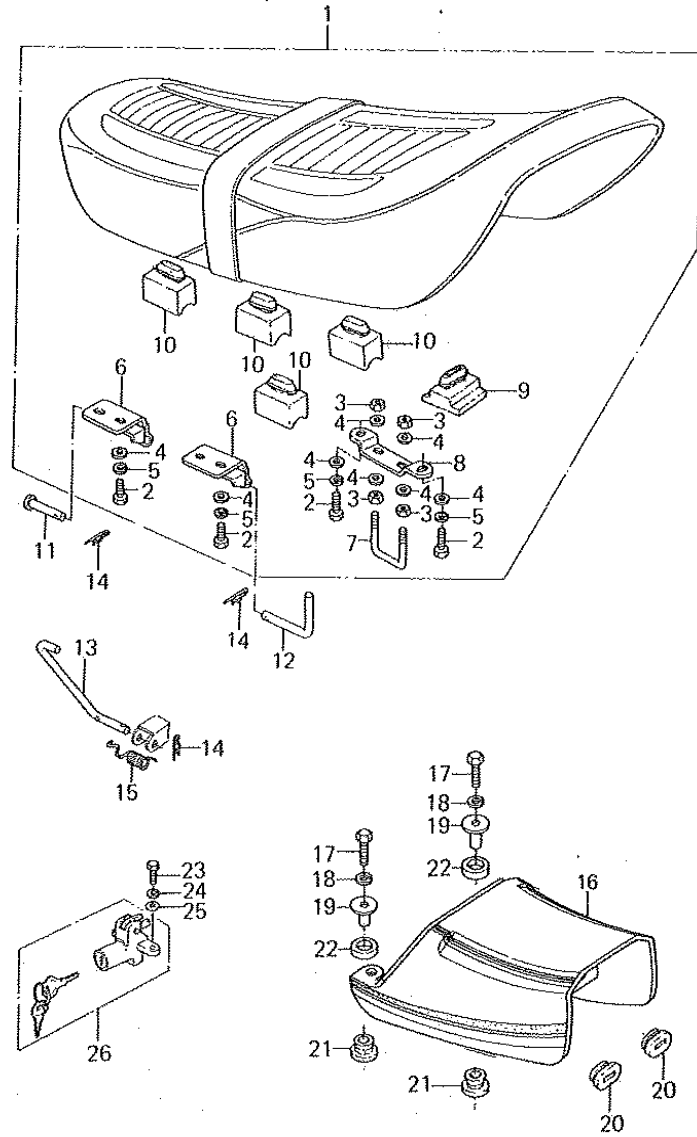
Rev. No.	Date
----------	------

Ref. No.	Part No.	Part Name	Quantity	Remarks
1	36001-1027-8K	COVER, side, L. H, Sundance Blue	1	
	36001-1027-D9	COVER, side, L. H, Luminous Passion Red	1	
2	92071-056	GROMMET, side cover	3	
3	36001-1028-8K	COVER, side, R. H, Sundance Blue	1	
	36001-1028-D9	COVER, side, R. H, Luminous Passion Red	1	
4	92071-056	GROMMET, side cover	3	
5	22080614	SCREW, pan head, 6 x 14	1	
6	22080665	SCREW, pan head, 6 x 65	1	
7	36014-1005	COVER, chain	1	
8	92022-125	WASHER, plain, 6.5 x 20 x 1.6t	2	
9	92018-005	SPEED NUT	4	
10	56018-1177	MARK, side cover, "Z550"	2	
11	56018-1206	MARK, side cover, "FX"	2	



# 39. Dual Seat, Seat Cover

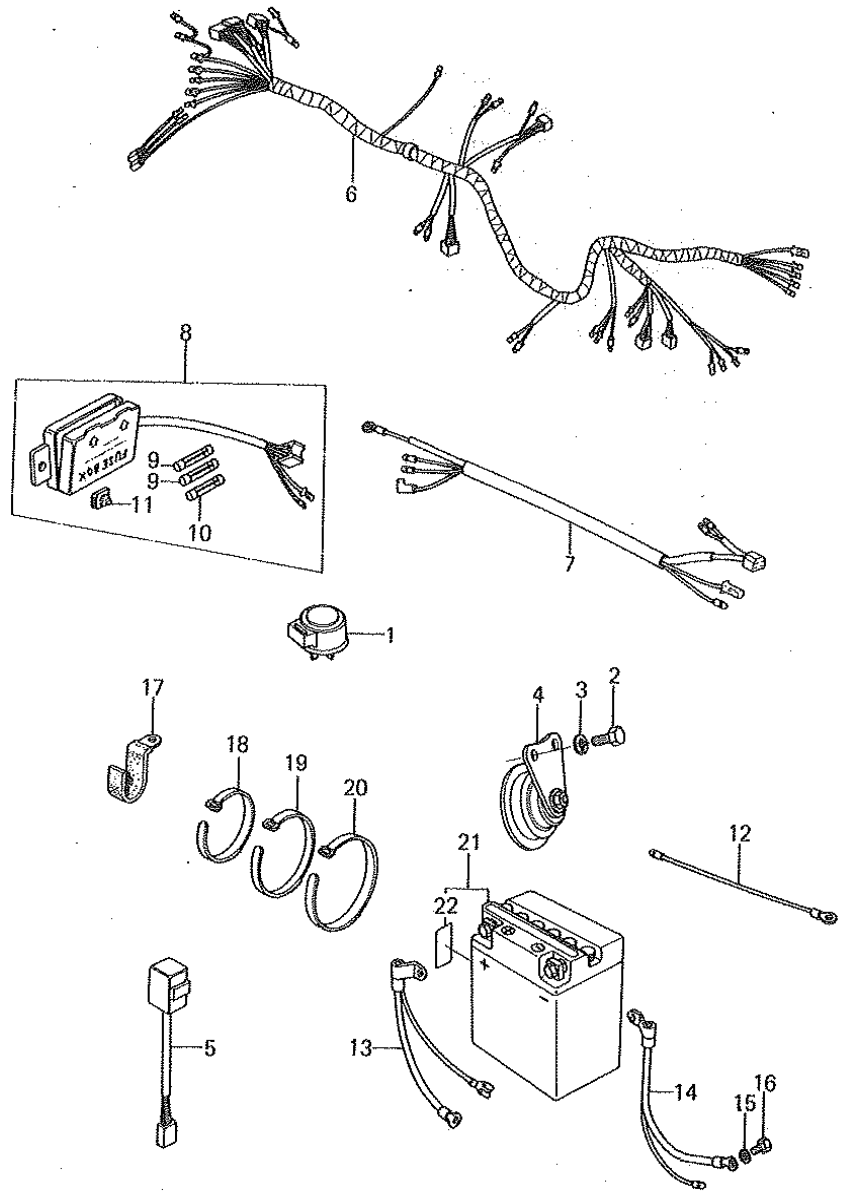
Rev. No.	Date



Ref. No.	Part No.	Part Name	Quantity	Remarks
1	53001-1133	SEAT ASSY, dual	1	
2	11080614	BOLT, hex head, 6 x 14	6	
3	311B0600	NUT, 6 m/m	4	
4	411B0600	WASHER, plain, 6 m/m	10	
5	461F0600	WASHER, spring, 6 m/m	6	
6	53009-1010	HINGE, dual seat	2	
7	53056-002	CATCH, seat	1	
8	53058-001	BRACKET, seat catch	1	
9	92075-1061	DAMPER, RUBBER, seat, rear	1	
10	92075-156	DAMPER RUBBER, seat	4	
11	53011-002	PIN, dual seat pivot, front	1	
12	53011-008	PIN, dual seat pivot, rear	1	
13	53054-001	STAND, dual seat	1	
14	554A0800	PIN, snap, 6 m/m	3	
15	92081-1053	SPRING, seat stand	1	
16	14025-1046-8K	COVER, seat, Syndance Blue	1	
	14025-1046-D9	COVER, seat, Luminous Passion Red	1	
17	11080822	BOLT, hex head, 6 x 22	2	
18	461F0600	WASHER, spring, 6 m/m	2	
19	92027-251	COLLAR	2	
20	92071-072	GROMMET	2	
21	92075-174	DAMPER RUBBER	2	
22	92075-175	DAMPER RUBBER	2	
23	11080614	BOLT, hex head, 6 x 14	1	
24	461F0600	WASHER, spring, 6 m/m	1	
25	411B0600	WASHER, plain, 6 m/m	1	
26	27016-5010	LOCK ASSY, seat	1	

# 46. Electrical Equipments

Rev. No.	Date
----------	------



Ref. No.	Part No.	Part Name	Quantity	Remarks
1	27002-011	RELAY, turn signal	1	
2	114B0816	BOLT, hex head, 8 x 16	2	
3	461F0800	WASHER, spring, 8 m/m	2	
4	27003-1014	HORN	1	
5	28019-001	SWITCH, brake lamp failure indicator	1	
6	26001-1232	WIRING HARNESS, main	1	
7	26001-1051	WIRING HARNESS, sub	1	
8	26004-1002	FUSE ASSY	1	
9	26006-003	FUSE, 10A, L = 25 m/m	3	
10	26006-005	FUSE, 20A, L = 25 m/m	2	
11	92075-279	DAMPER RUBBER	1	
12	26011-095	WIRE, lead, front signal ground	2	
13	26011-1031	WIRE, lead, battery ground, (+)	1	
14	26011-1032	WIRE, lead, battery ground, (-)	1	
15	461F0600	WASHER, spring, 6 m/m	1	
16	92001-137	BOLT, hex head, 6 x 10	1	
17	92037-1069	CLAMP	3	
18	92072-030	BAND, L = 123 m/m	2	
19	92072-031	BAND, L = 149 m/m	2	
20	92072-032	BAND, L = 218 m/m	2	
21	26012-1032	BATTERY, 12V 12AH, FB12A-A	1	
22	56040-1016	LABEL, battery caution	1	

274-1080, 275-1003, 276-1282, 278-1064