



Z1000-D1

**Motorcycle
Parts Catalog**



Model

Z1000-D1

Revision Sheets

For European Market

KAWASAKI HEAVY INDUSTRIES, LTD.

ENGINE AND MOTORCYCLE GROUP

1-1, Kawasaki-cho, Akashi, Hyogo Pref. Japan

Part No. 99910-1014-50 ©

Rev. March, 25, 1978

FOREWORD

This supplement to the Z1000-D1 Parts Catalog (Issued Oct. 31, 1977, No. 99910-1014-01) is revised sheets which contains newly added parts and newly changed parts.

Please replace this sheets in each pages with correspond.

PARTS LIST INTRODUCTION

This parts catalog lists parts and subassemblies provided as spare parts.

When it becomes necessary to replace parts, always use KAWASAKI GENUINE PARTS which passed strict inspection which guarantees quality and performance.

1. COMPOSITION OF THE PART NUMBER

1-1 Part Number (Old structure)

○○○○○ - ○○○ - ○○

○○○○○ — Production Number
○○ — Color Code
○○ — Function Code

(New Structure)

○○○○○ - ○○○○ - ○○

1-2 Standard Hardware Number

○○○ ○ ○○○○ A

○○○ — Item Code
○ — Material of Surface Treatment Code (Alphabet)
○○○○ — Size Number
A — ISO Code

2. ABBREVIATIONS

(1) WHEN EXH USE P/No. _____

Abbreviated from the phrase "When exhausted, use P/No. _____" which indicates that the new parts be used for replacement, but old parts in stock may be used until exhausted.

(2) E/No. _____ and Below. E/NO. _____ and Above.

These are applied to the part requested to use only for engines having the serial number _____ and below (or above).

(3) "AR" indicates the part is to be used "as required". It is used mainly for bulk items such as liquid gasket.

(4) "ALT" indicates the part may be used as "alternate", if another part called for that location is not available.

(5) STD	Standard	T	Teeth	t	Thickness
ASSY	Assembly	PR	Ply Rating	I. D.	Inside Diameter
Ref.	Reference	Hex	Hexagonal	O. D.	Outside Diameter
L. H.	Left Hand	L	Length	AR	As Required
R. H.	Right Hand	d	Diameter	C. A.	Cut Away
ALT	Alternate	N. A.	Not Available	W	Width

3. HOW TO ORDER PARTS

Always without fail include three items exactly as listed in this Parts Catalog in your parts order.

(1) Type and Model of motorcycle.

(2) Color Code

Specify the color using color code and name without fail for ordering of painted parts.

Example: 51001-1009-7W TANK, fuel, Metallic Stardust Silver

(3) Part Name

Part not shown disassembled in the illustrations of this Parts Catalog are not sold separately; only the complete units or next higher assemblies illustrated, are supplied as spare parts.

Please be advised to order the parts in typescript instead of hand-writing to avoid the mistake expected.

KAWASAKI HEAVY INDUSTRIES, LTD.

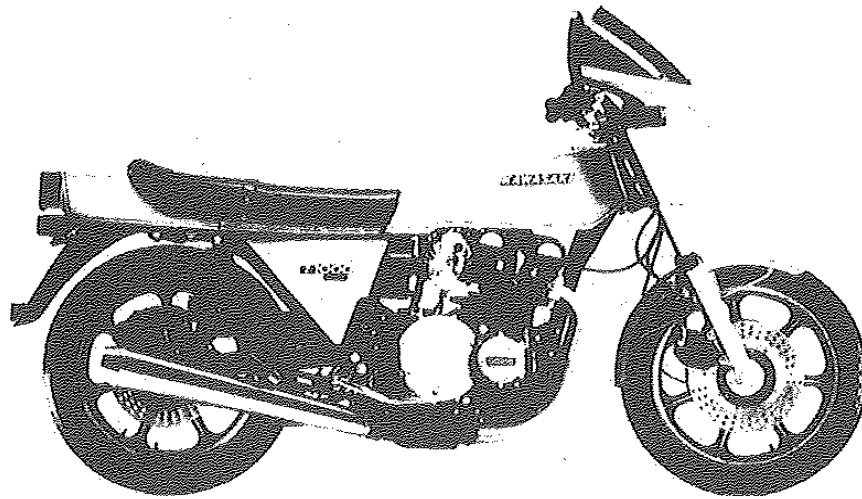
ENGINE AND MOTORCYCLE GROUP

1-1, Kawasaki-cho, Akashi, Hyogo Pref. Japan

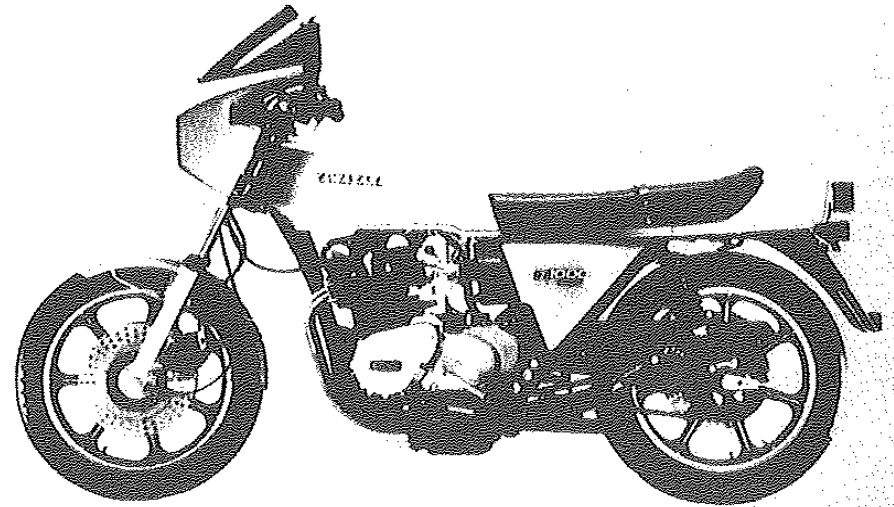
Part No. 99910-1014-01 ©

Z1000-D1

Right Side View



Left Side View

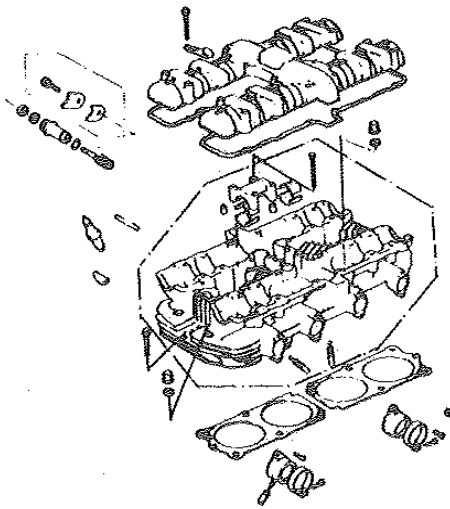
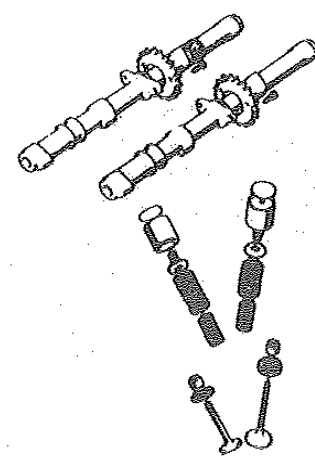
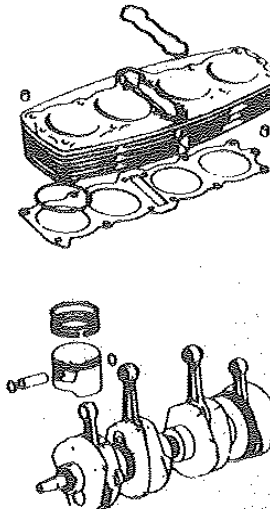


● Color	Fuel Tank	Metallic Stardust Silver
	Front Fender	Metallic Stardust Silver
● Engine No.		KZT00DE000101 to Subsequent
● Frame No.		KZT00D-000101 to Subsequent
● Owner's Manual No.		99922-1013-01
● A & P Manual No.		99939-1008-01
● Service Manual No.		99931-540-01

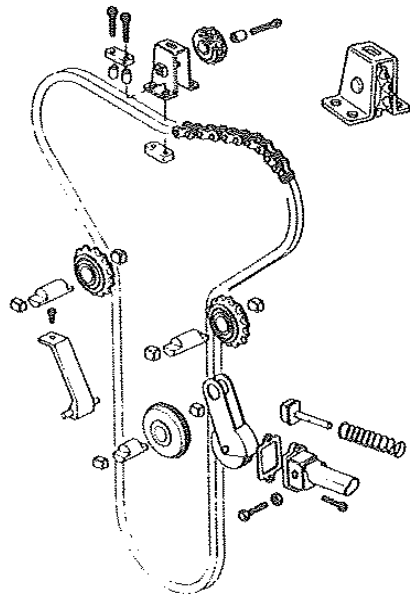


Z1000-D1

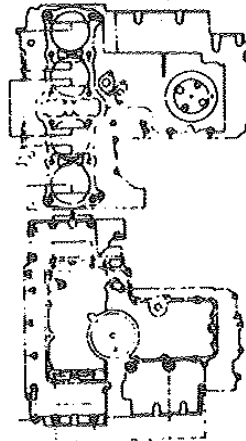
INDEX

<p>1. Cylinder, Cylinder Head 1</p>  An exploded view diagram of the cylinder and cylinder head assembly. It shows the cylinder head with valves, the cylinder block, the piston, and various gaskets and seals. The parts are arranged to show their relative positions and how they fit together.	<p>2. Camsaft, Valve 2</p>  An exploded view diagram of the camshaft and valve assembly. It shows the camshaft with its lobes, the intake and exhaust valves, the valve springs, and the valve retainers. The parts are arranged to show their relative positions and how they fit together.	<p>3. Cylinder Piston 3</p>  An exploded view diagram of the cylinder piston assembly. It shows the piston with its rings, the piston pin, and the connecting rod. The parts are arranged to show their relative positions and how they fit together.
---	---	---

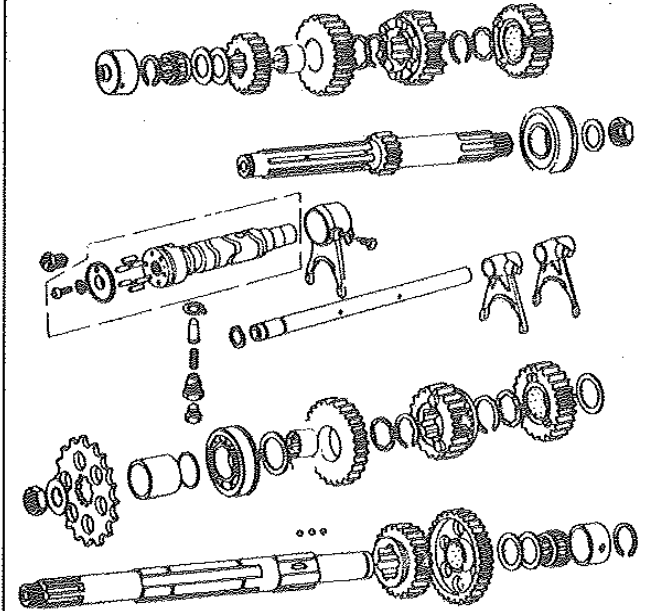
4. Cam Chain, Tensioner 4



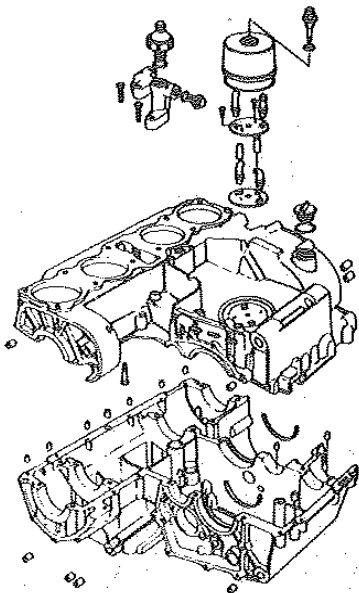
6. Crankcase Bolt & Stud
Pattern 6



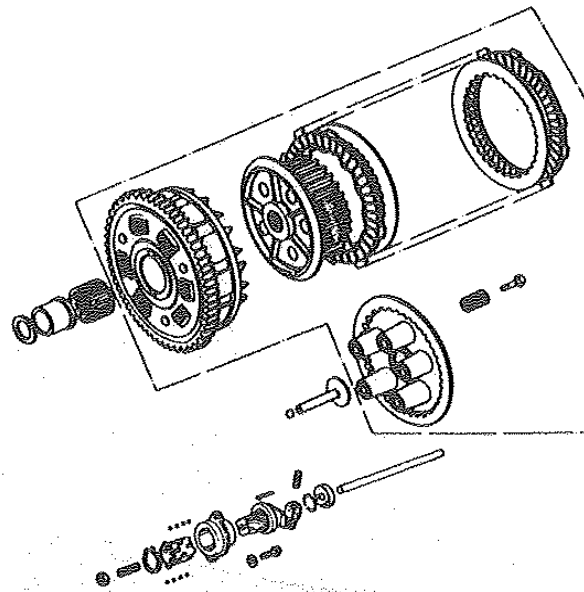
8. Transmission Gears 8



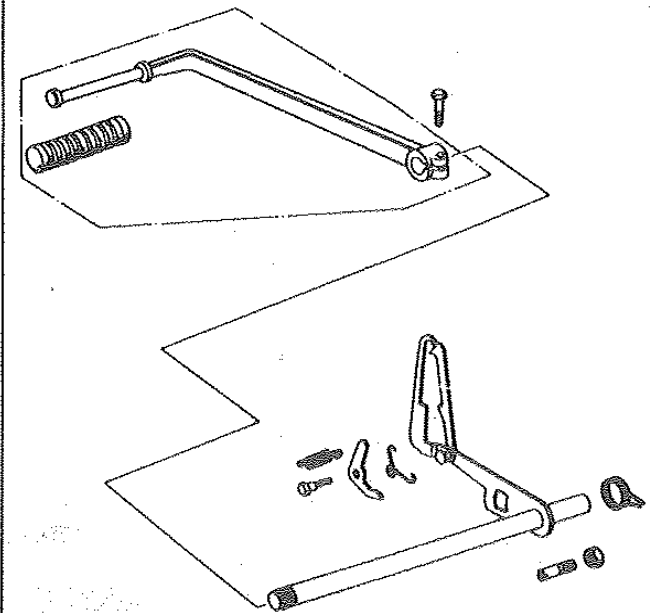
5. Crankcase 5



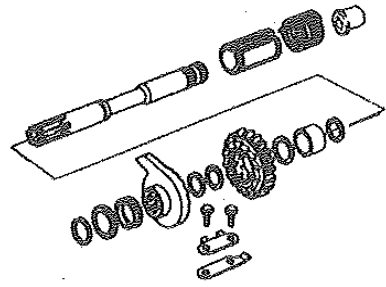
7. Clutch 7



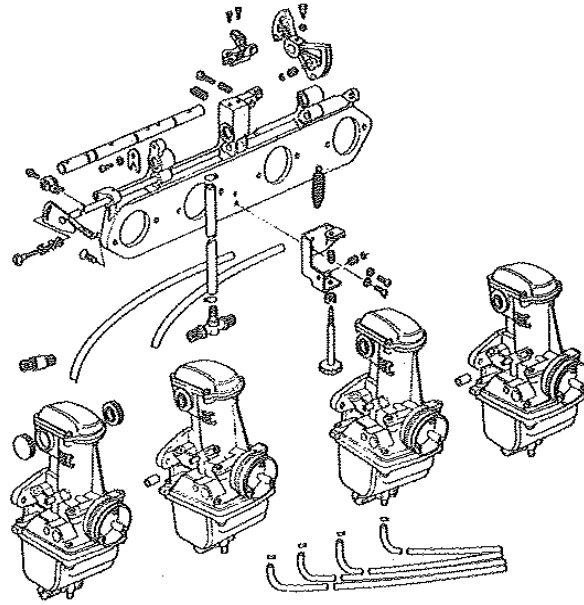
9. Gear Change Mechanism 10



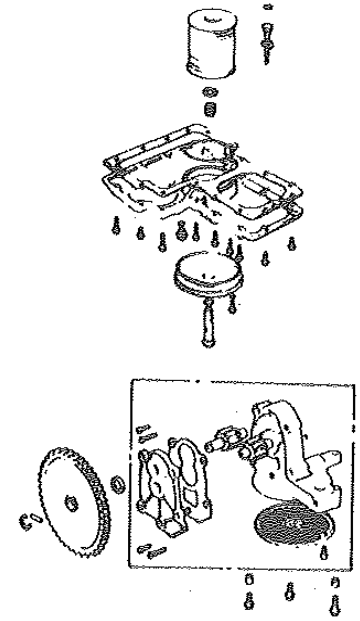
10. Kickstarter Mechanism 11



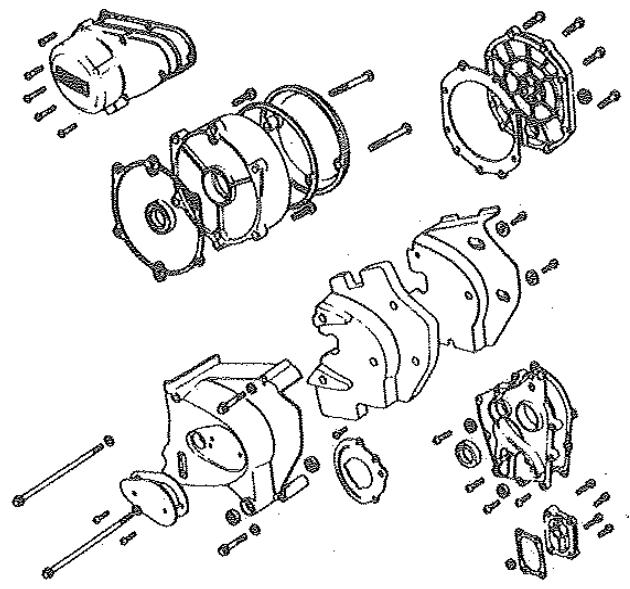
12. Carburetor A 13



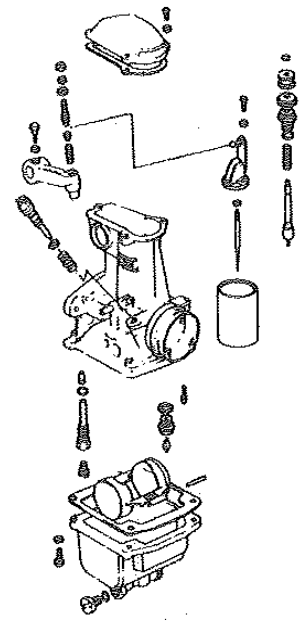
14. Oil Pump, Oil Filter 17



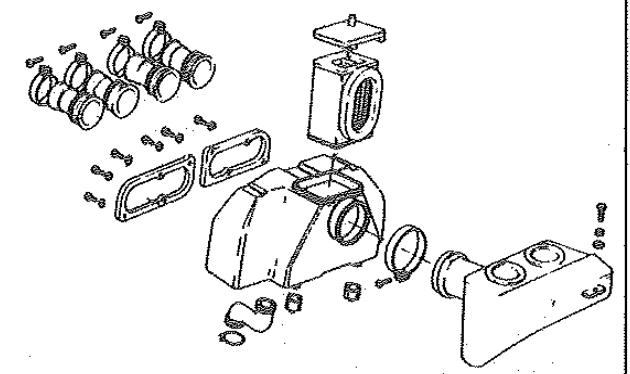
11. Engine Cover 12



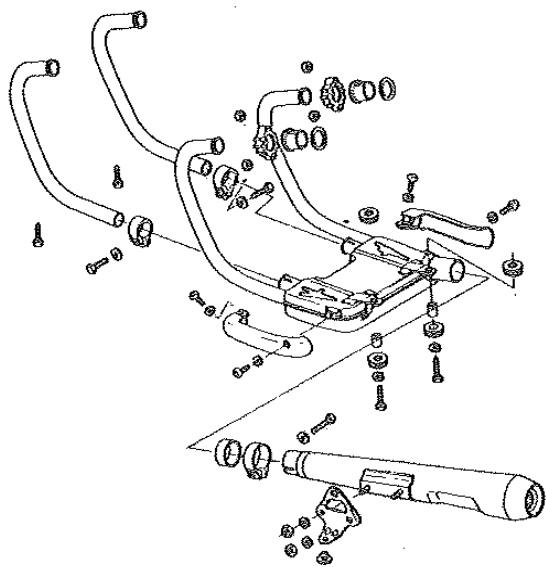
13. Carburetor B 15



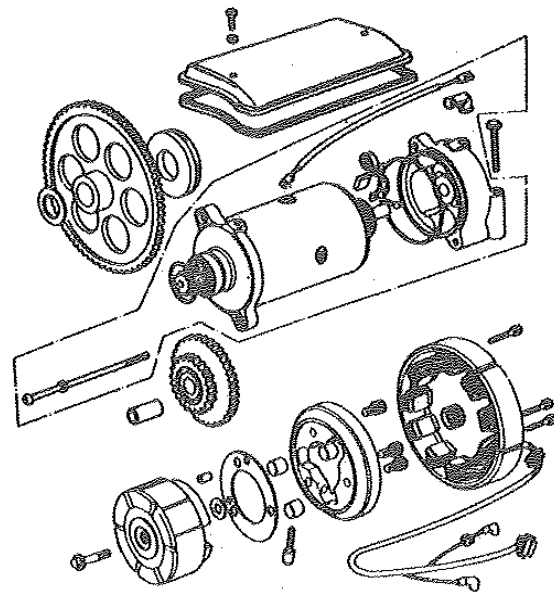
15. Air Cleaner 18



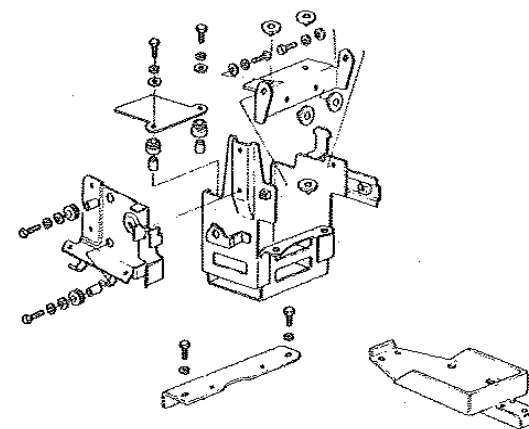
16. Mufflers 19



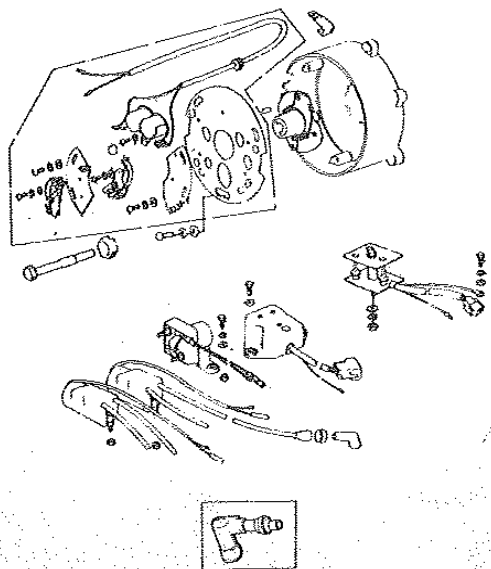
18. Starter Motor, Dynamo 22



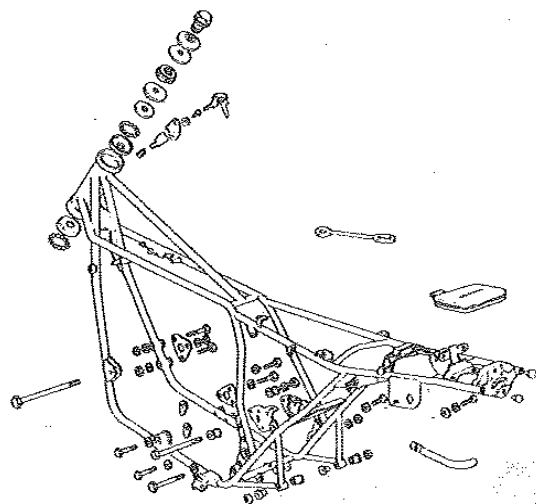
20. Battery Case, Tool Case 24



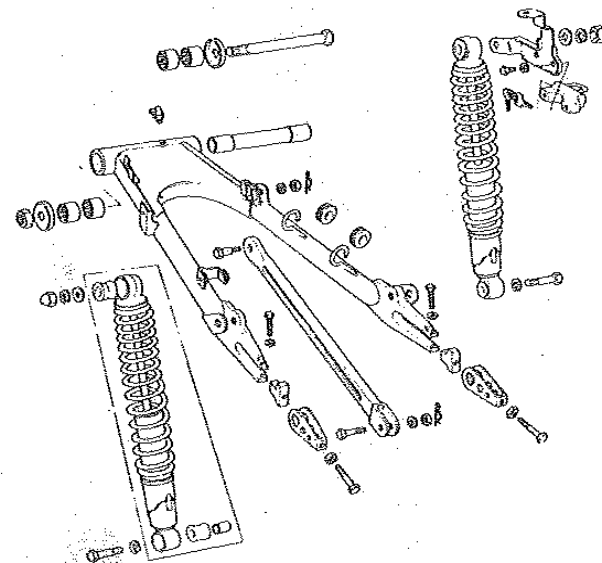
17. Contact Breaker,
Spark Advancer ... 20



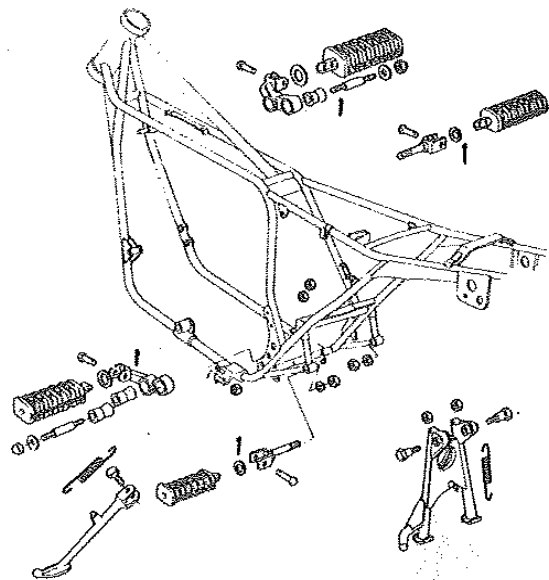
19. Frame 23



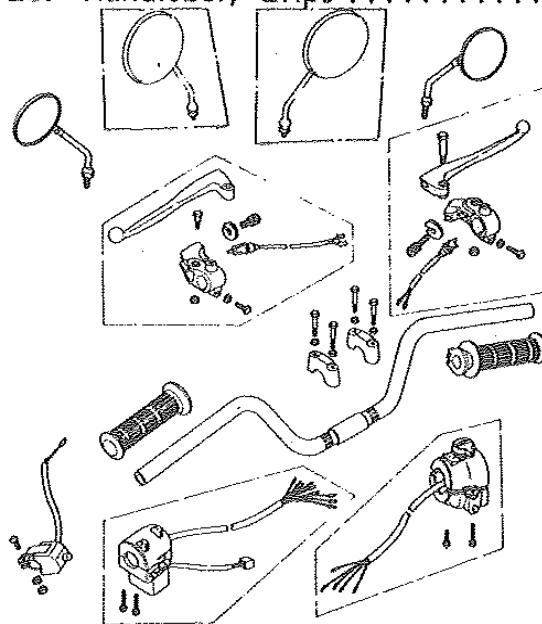
21. Swing Arm, Rear
Shock Absorber ... 26



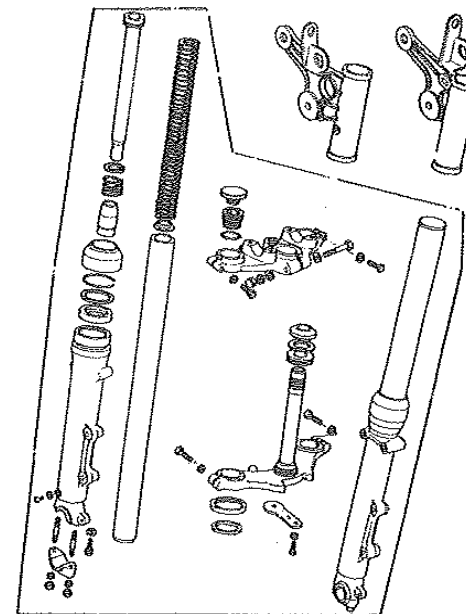
21-1. Footrests 27



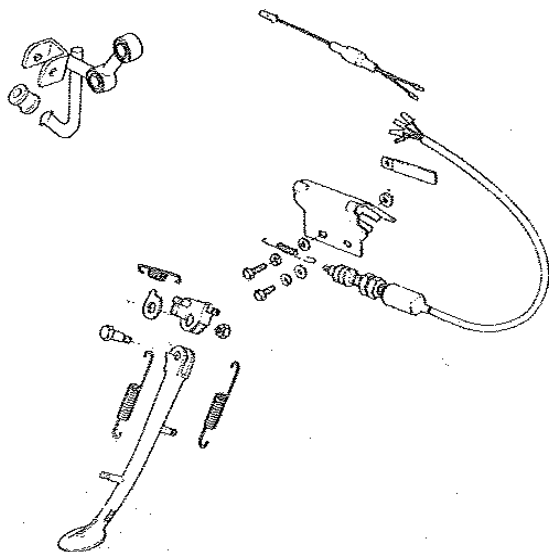
23. Handlebar, Grips 29



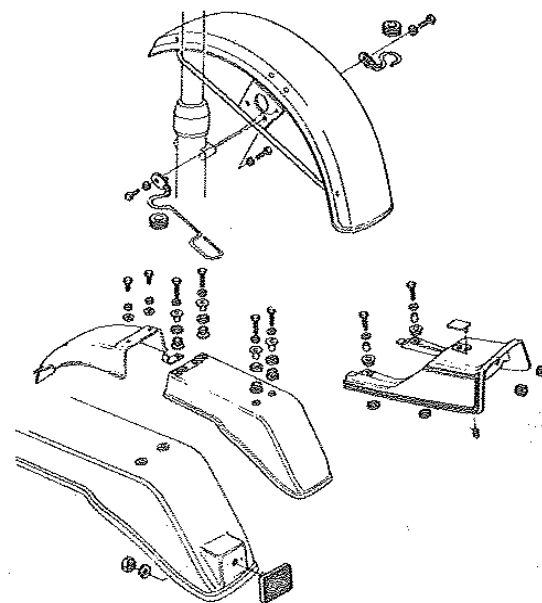
25. Front Fork 32



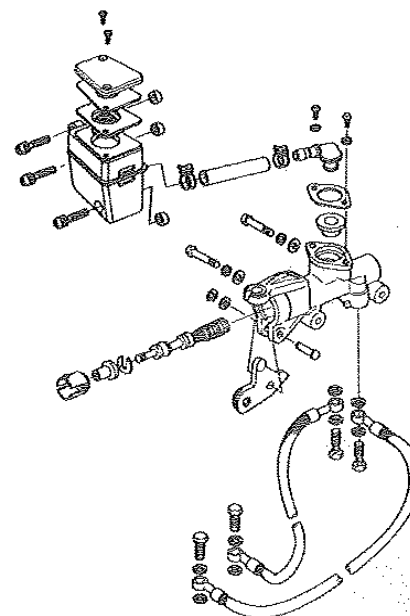
22-2. Side Stands Equipments
(W. GERMANY & SWEDEN
TYPE) 28



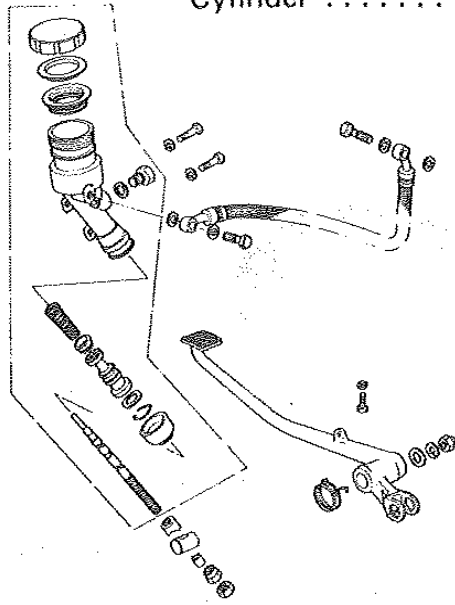
24. Fenders 31



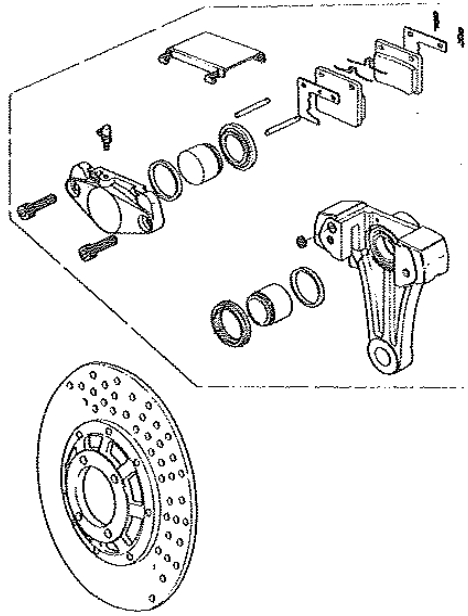
26. Front Master Cylinder 34



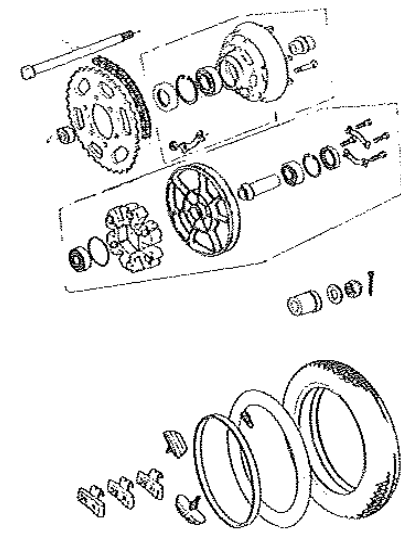
27. Brake Pedal, Rear Master
Cylinder 35



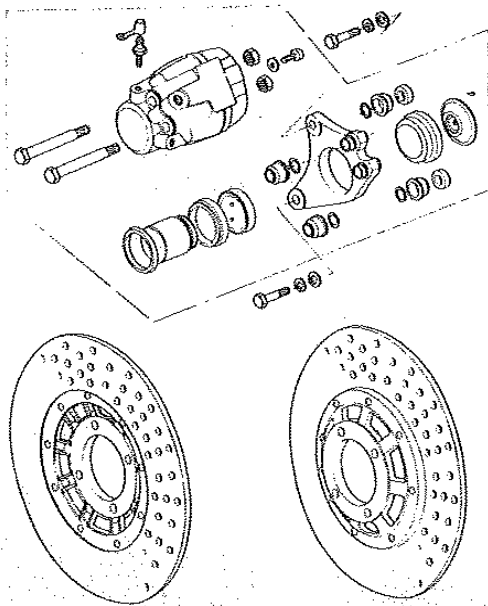
29. Rear Caliper 37



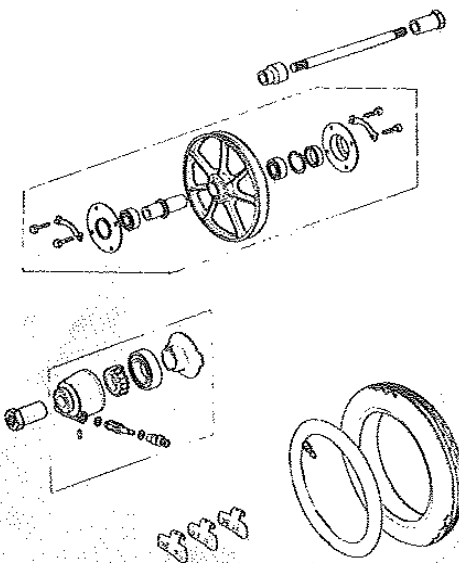
31. Rear Hub, Rear Wheel 39



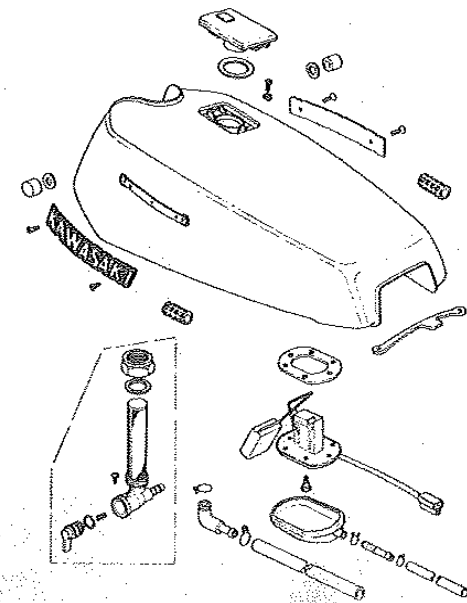
28. Front Caliper 36



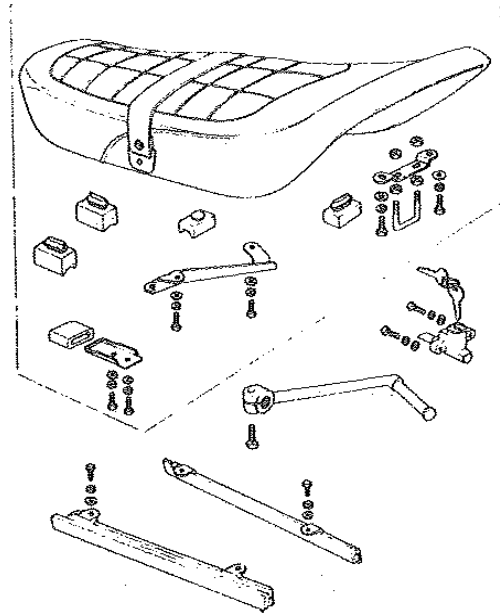
30. Front Hub, Front Wheel 38



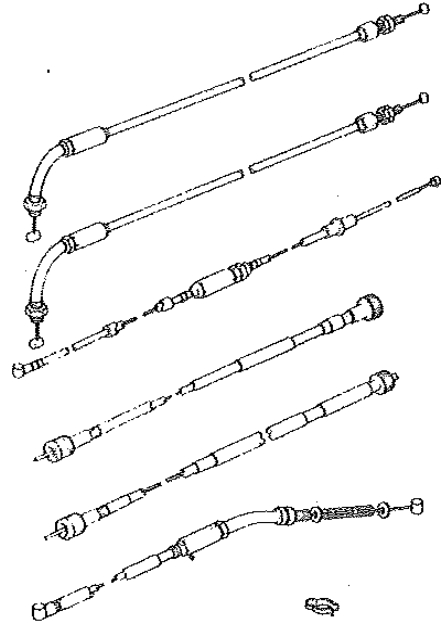
32. Fuel Tank 40



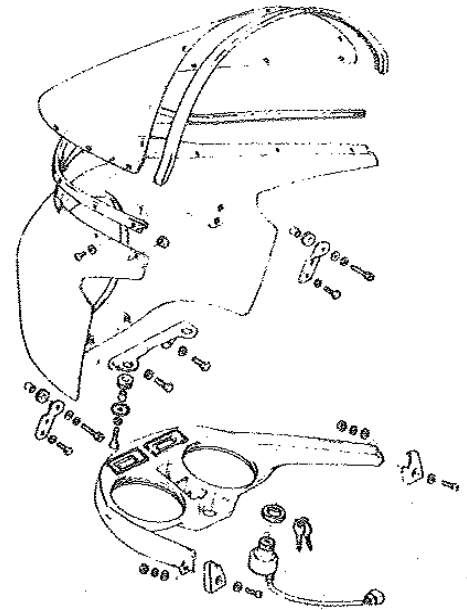
33. Dual Seat 41



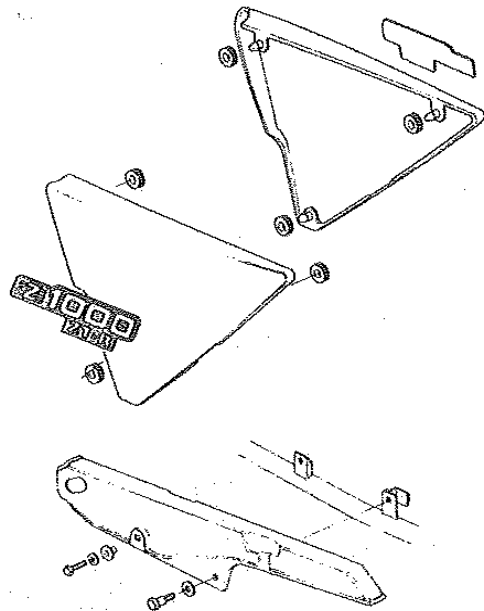
35. Cables 43



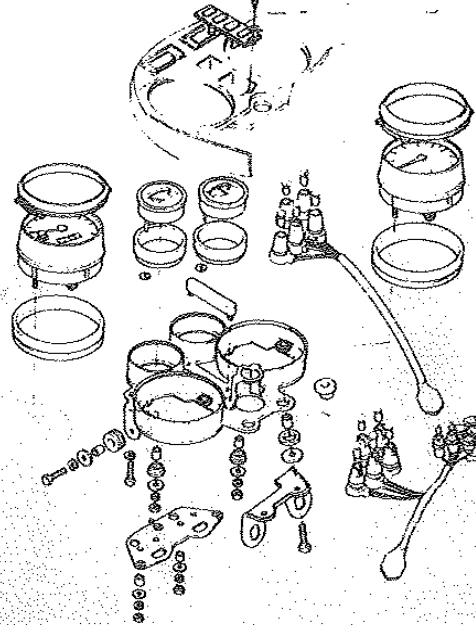
37. Cowling 46



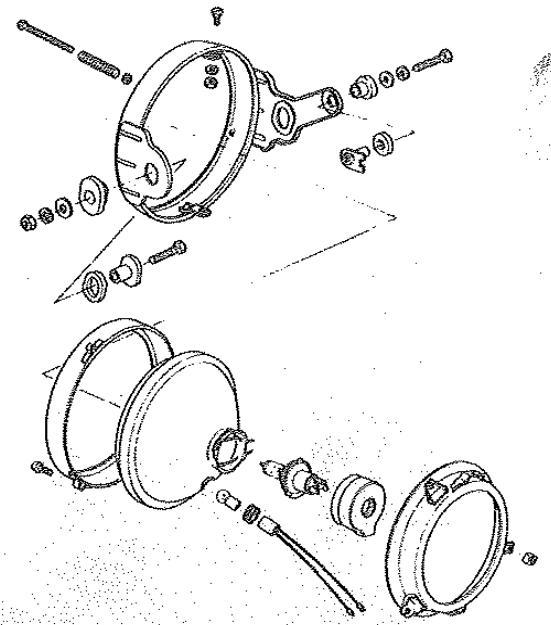
34. Side Cover, Chain Cover 42



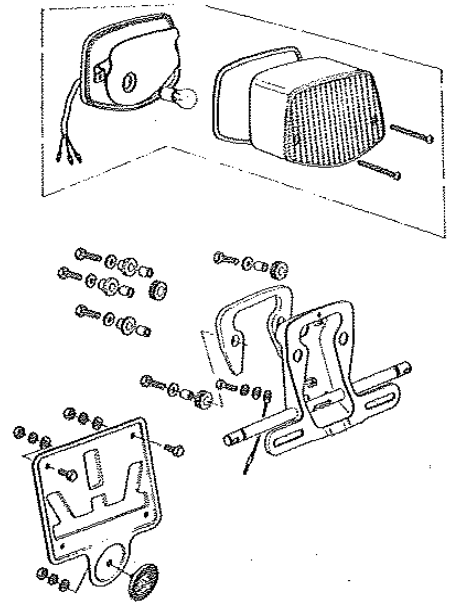
36. Speedometer, Tachometer 44



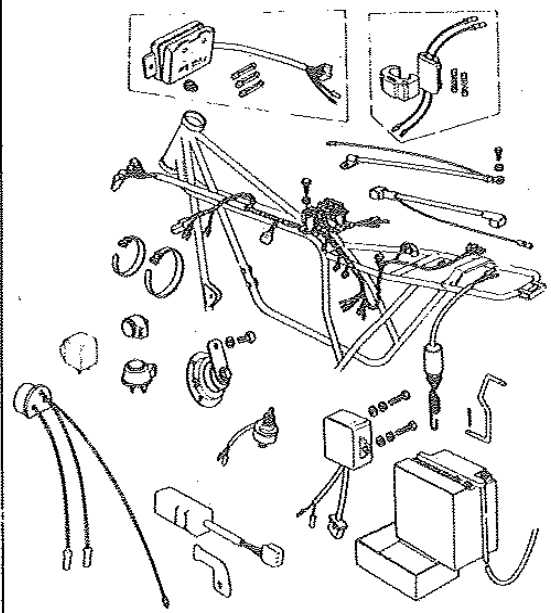
38. Head Lamp 48



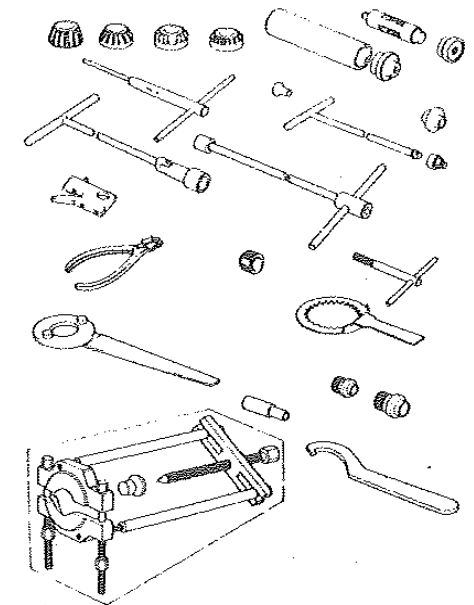
39. Tail Lamp 49



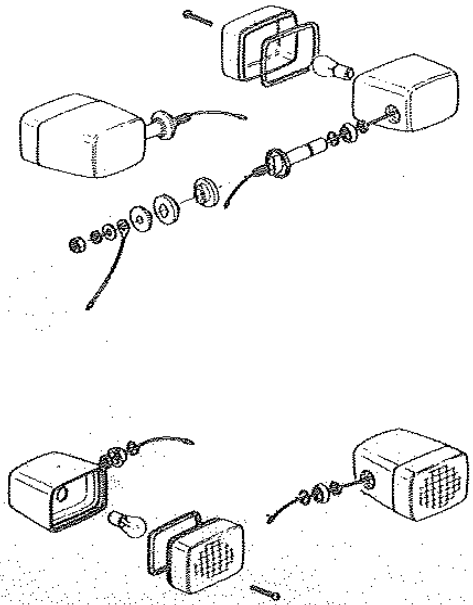
41. Electrical Equipment 51



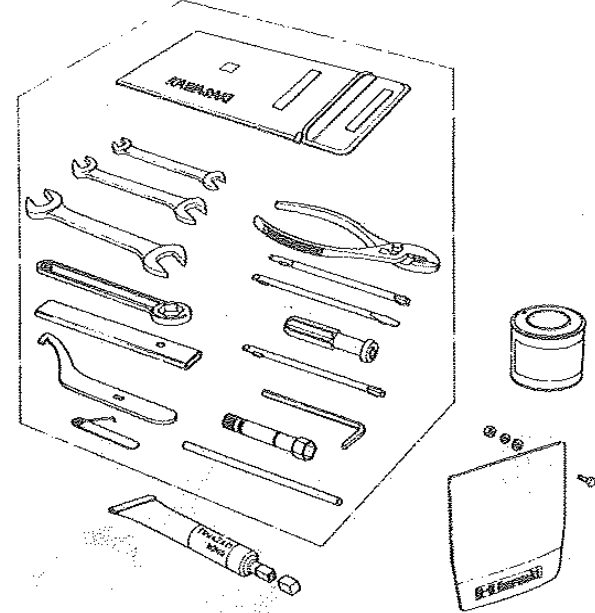
43. Special Tools A 54



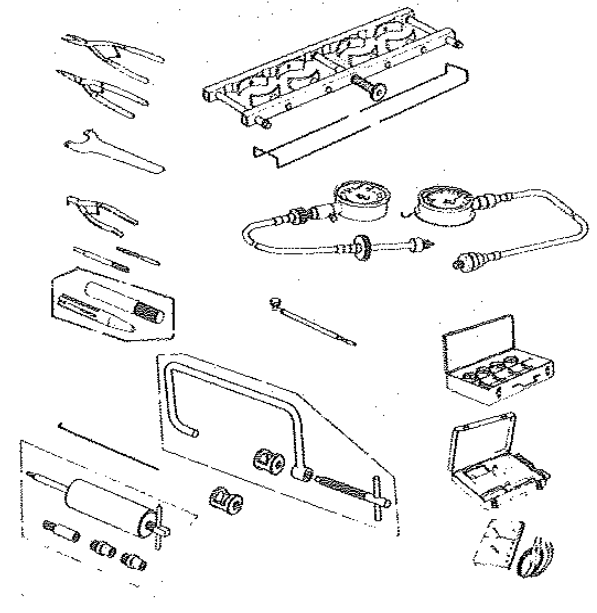
40. Turn Signal Lamp 50



42. Tools 53

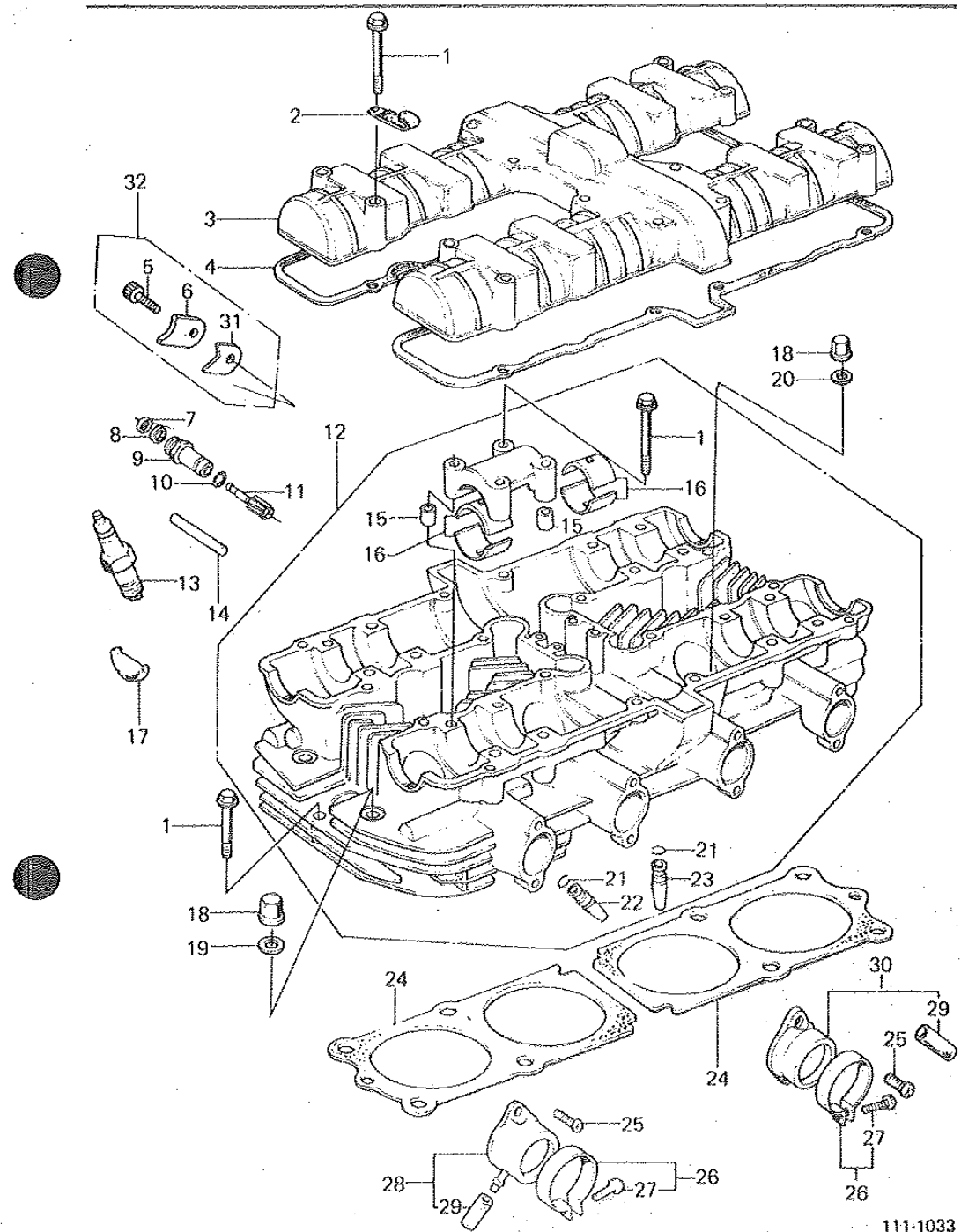


44. Special Tools B 55



1. Cylinder, Cylinder Head

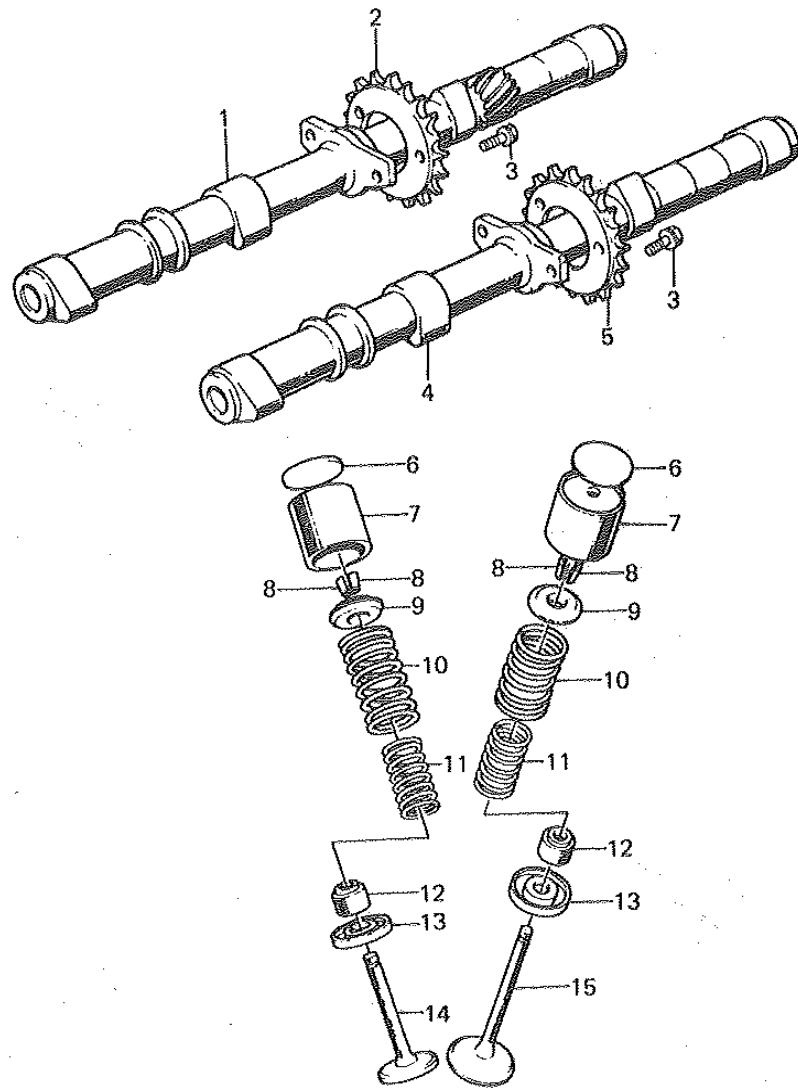
Rev. No.	Date



Ref. No.	Part No.	Part Name	Quantity	Remarks
1	92003-092	BOLT, hex head, 6 x 45	34	
2	21126-007	CLAMP, ignition coil	2	
3	14025-1014-21	COVER, cylinder head	1	Flat Black
4	11023-006	GASKET, cylinder head cover	1	
5	120P0614	BOLT, socket, 6 x 14	1	
6	13091-1008	HOLDER, tachometer, 2.3t	1	
7	92065-103	GASKET, tachometer gear	1	
8	92050-075	OIL, seal	1	
9	92087-010	GUIDE, tachometer cable	1	
10	92055-096	"O" RING	1	
11	13223-011	GEAR, tachometer	1	
12	11002-024-21	CYLINDER HEAD	1	Flat Black
13	92070-037	SPARK PLUG	4	NGK B-8ES
14	92004-065	STUD	8	
15	92042-007	PIN, dowel	8	
16	13034-030	BEARING, cam shaft	16	
17	92066-017	PLUG, cylinder head cover	4	
18	92015-076	NUT, cylinder head	12	
19	92022-215	WASHER, plain	4	Copper
20	411B1000	WASHER, plain	8	Steel
21	92036-023	CIRCLIP, valve guide	8	
22	12013-009	GUIDE, inlet valve	4	
23	12013-010	GUIDE, exhaust valve	4	
		WHN EXH USE 49002-1002		
	49002-1002	GUIDE, exhaust valve	4	
24	11004-076	GASKET, cylinder head	2	
25	220B0618	SCREW, pan head, 6 x 18	8	
26	92123-001	CLAMP, carburetor holder	4	
27	92011-037	SCREW, pan head	4	
28	16065-029	HOLDER, L. H. carburetor	2	
29	92068-006	PLUG	4	
30	16065-028	HOLDER, R. H. carburetor	2	
31	13091-1009	HOLDER, tachometer, 3.2 t	1	
32	13091-5001	HOLDER SET, tachometer	1	

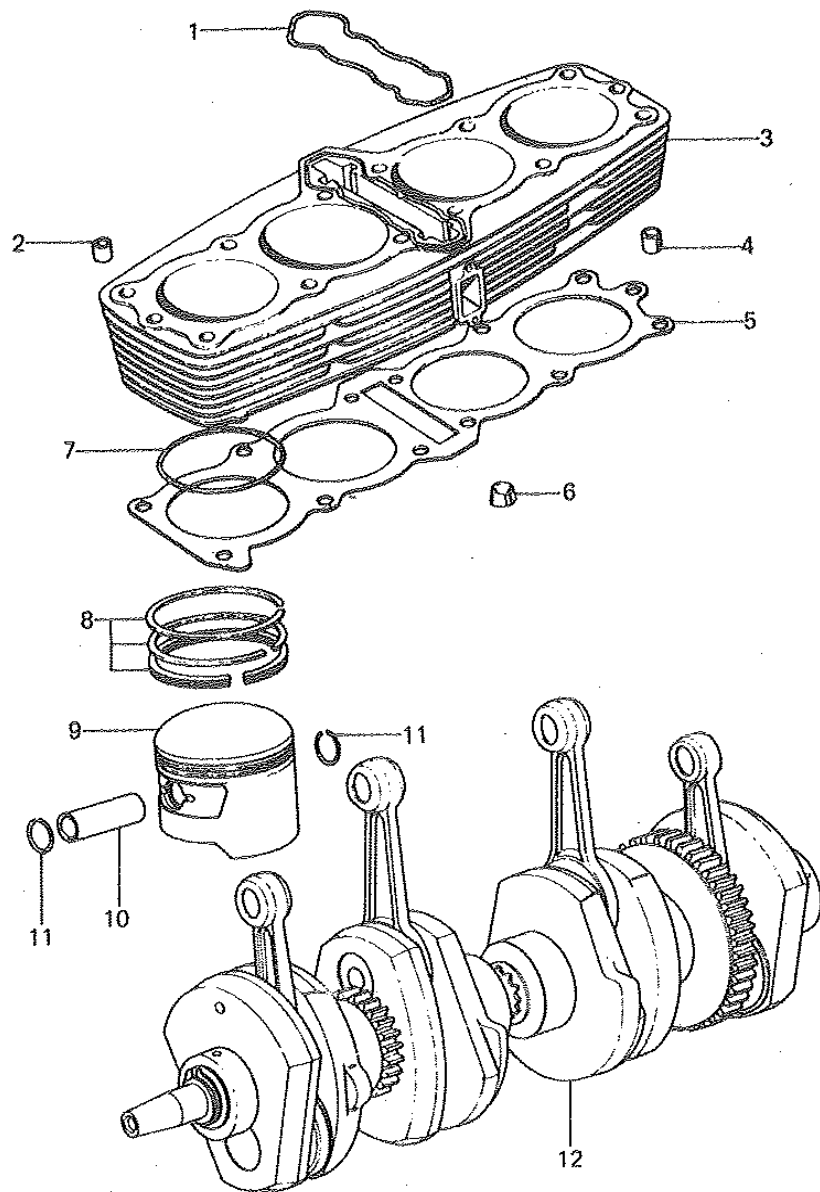
2. Camshaft, Valve

Rev. No.		Date	
----------	--	------	--



Ref. No.	Part No.	Part Name	Quantity	Remarks
1	12044-015	CAM SHAFT, exhaust	1	
2	12046-002	SPROCKET, exhaust cam shaft	1	
3	92003-208	BOLT, hex head, 6 x 10	6	
4	12044-014	CAM SHAFT, inlet	1	
5	12046-001	SPROCKET, inlet cam shaft	1	
6	12037-001	SHIM, 2.00t	AR	
	12037-002	SHIM, 2.05t	AR	
	12037-003	SHIM, 2.10t	AR	
	12037-004	SHIM, 2.15t	AR	
	12037-005	SHIM, 2.20t	AR	
	12037-006	SHIM, 2.25t	AR	
	12037-007	SHIM, 2.30t	AR	
	12037-008	SHIM, 2.35t	AR	
	12037-009	SHIM, 2.40t	AR	
	12037-010	SHIM, 2.45t	AR	
	12037-011	SHIM, 2.50t	AR	
	12037-012	SHIM, 2.55t	AR	
	12037-013	SHIM, 2.60t	AR	
	12037-014	SHIM, 2.65t	AR	
	12037-015	SHIM, 2.70t	AR	
	12037-016	SHIM, 2.75t	AR	
	12037-017	SHIM, 2.80t	AR	
	12037-018	SHIM, 2.85t	AR	
	12037-019	SHIM, 2.90t	AR	
	12037-020	SHIM, 2.95t	AR	
	12037-021	SHIM, 3.00t	AR	
	12037-022	SHIM, 3.05t	AR	
	12037-023	SHIM, 3.10t	AR	
	12037-024	SHIM, 3.15t	AR	
	12037-025	SHIM, 3.20t	AR	
7	12032-005	TAPPET	8	
8	12011-004	COLLAR, valve spring	16	
9	12009-005	RETAINER, valve spring	8	
10	12007-012	SPRING, outer valve	8	
11	12007-011	SPRING, inner valve	8	
12	92049-016	OIL SEAL, RV371295	8	
13	12010-004	SEAT, valve spring	8	
14	12005-009	VALVE, exhaust	4	
15	12004-017	VALVE, inlet	4	

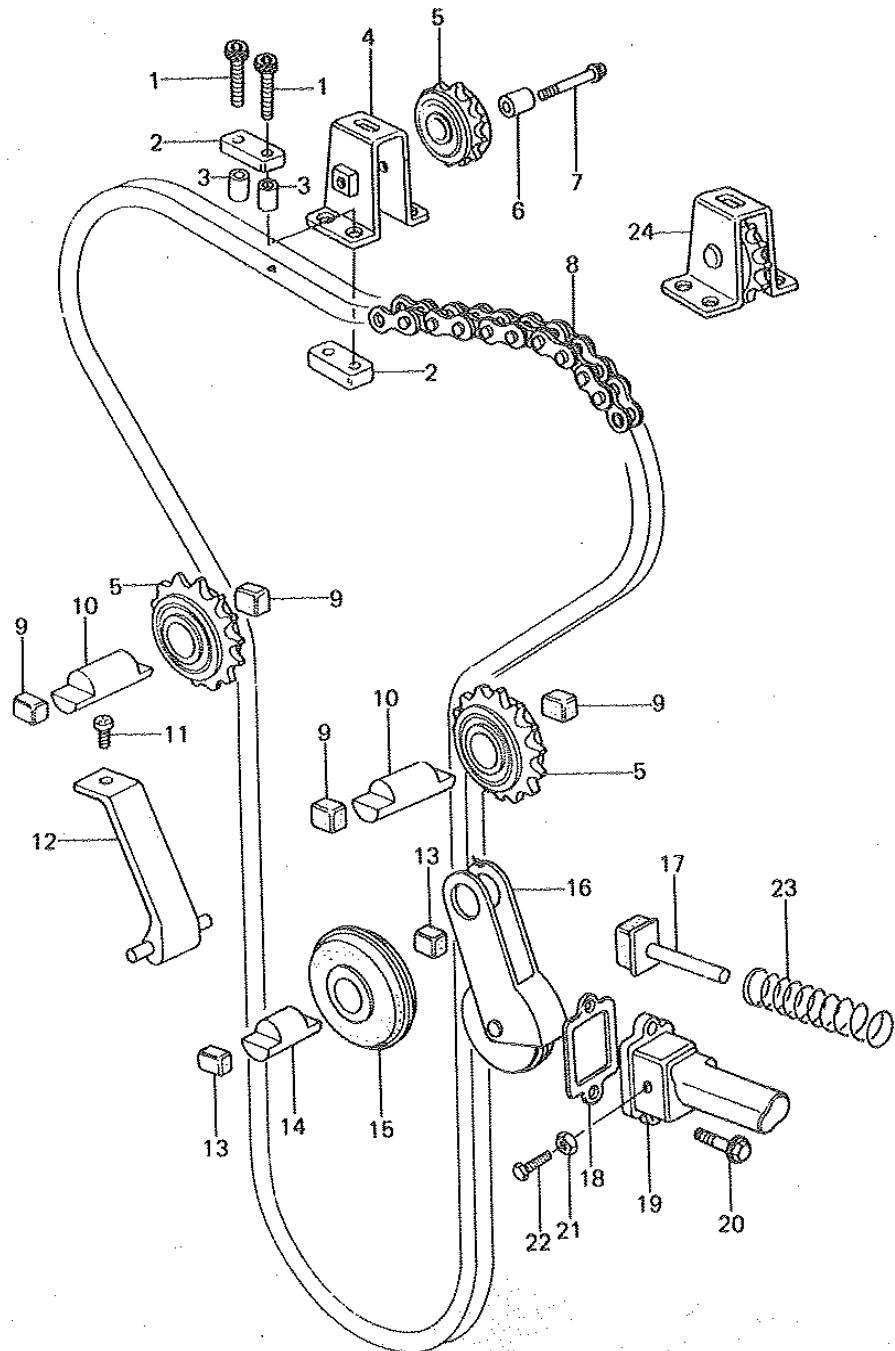
3. Cylinder, Piston



Ref. No.	Part No.	Part Name	Quantity	Remarks
1	92055-082	"O" RING, cylinder	1	
2	552B1014	PIN, dowel, 10 x 14	2	
3	11005-1009-21	CYLINDER	1	Flat Black
4	92042-028	PIN, dowel	2	
5	11009-030	GASKET, cylinder base	1	
6	92074-030	RUBBER PLUG, cylinder	4	
7	92055-054	"O" RING, 73 m/m	4	
8	13008-1001	RING SET, STD	4	
	13025-1001	RING SET, 0.020" O/S	(4)	} Option
	13024-1001	RING SET, 0.040" O/S	(4)	
9	13001-1003	PISTON, STD	4	
	13029-1002	PISTON, 0.020" O/S	(4)	} Option
	13027-1003	PISTON, 0.040" O/S	(4)	
10	13002-022	PIN, piston	4	
11	92036-021	CIRCLIP, piston pin	8	
12	13031-1006	CRANKSHAFT ASSY	1	

4. Cam Chain, Tensioner

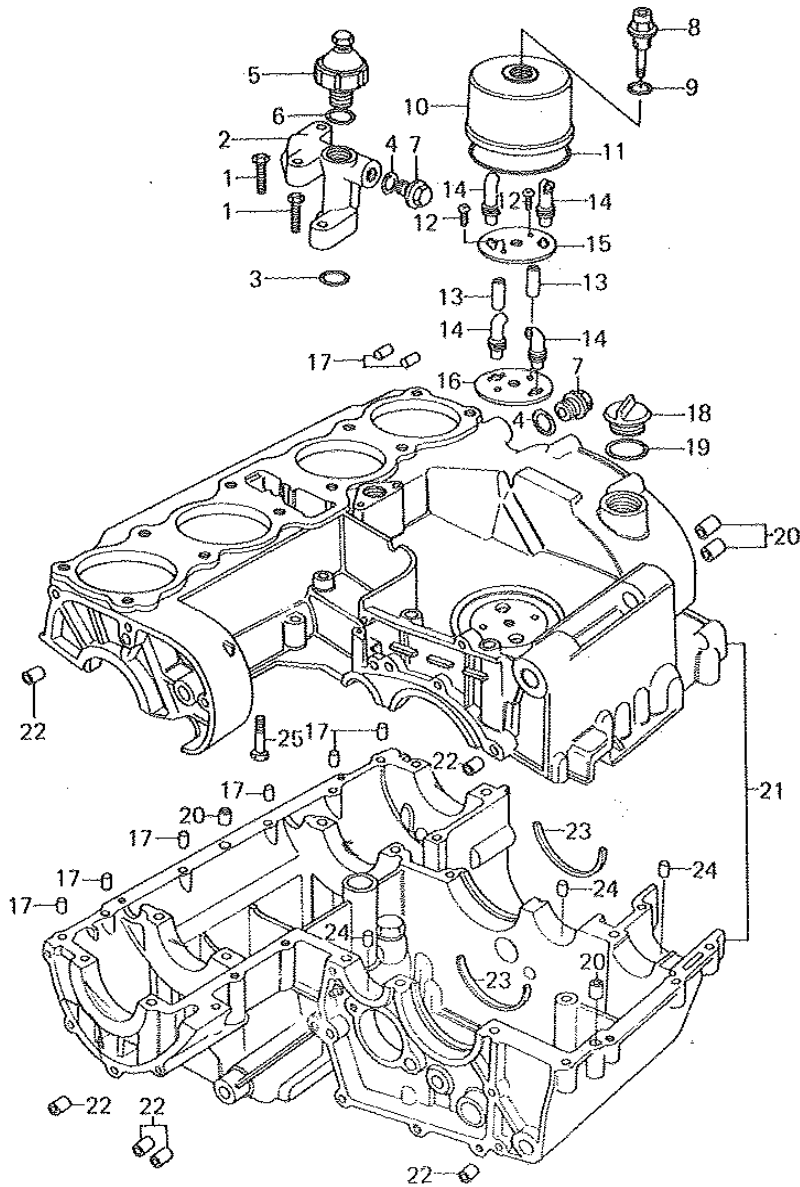
Rev. No.	Date
----------	------



Ref. No.	Part No.	Part Name	Quantity	Remarks
1	120Q0632	BOLT, allen, 6 x 32	4	
2	92075-289	DAMPER RUBBER	4	
3	92027-262	COLLAR, upper idler	4	
		WHN EXH USE 92027-1079		
	92027-1079	COLLAR, upper idler	4	
4	12051-004	BRACKET, upper idler	1	E/No. 1~001432
5	12057-002	IDLER ASSY, cam chain	3	E/No. 1~001432
	12057-002	IDLER ASSY, cam chain	2	E/No. 001433~
6	92027-261	COLLAR, upper idler	1	} E/No. 1~001432
7	92003-178	BOLT, hex head, 6 x 25	1	
8	21070-003	CHAIN, cam	1	
9	92075-232	DAMPER RUBBER, guide roller	4	
10	12052-005	SHAFT, guide roller	2	
11	220B0610	SCREW, pan head, 6 x 10	1	
12	12053-019	GUIDE, cam chain	1	
13	92075-123	DAMPER RUBBER, guide roller	2	
14	12052-003	SHAFT	1	
15	12055-002	ROLLER, cam chain guide	1	
16	12048-001	TENSIONER ASSY, cam chain	1	
17	12054-001	ROD ASSY, push	1	
18	11009-1038	GASKET, tensioner holder	1	
19	12049-1003	HOLDER, cam chain tensioner	1	
20	130G0630	BOLT, hex head, 6 x 30	2	
21	311B0600	NUT, 6 m/m	1	
22	92003-093	BOLT, tensioner adjusting	1	
23	92081-107	SPRING, tensioner	1	
24	12053-1016	IDLER ASSY, cam chain	1	E/No. 001433~

5. Crankcase

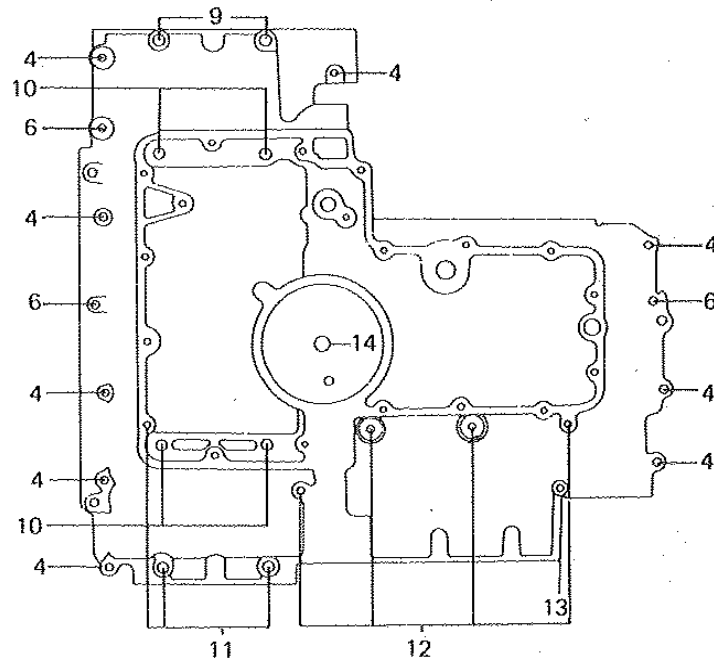
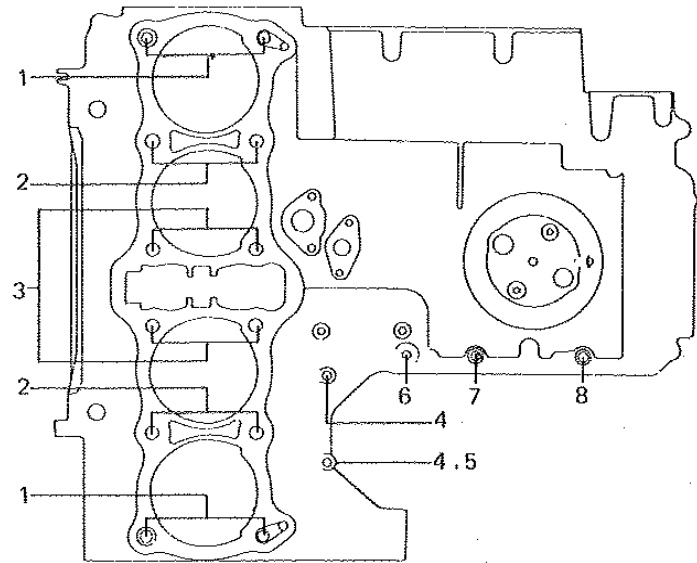
Rev. No.	Date
----------	------



Ref. No.	Part No.	Part Name	Quantity	Remarks
1	92001-164	BOLT, oil pump	4	
2	16109-003	PIPE, oil	1	
3	670B2018	"O" RING, 18 m/m	2	
4	670B2015	"O" RING, 15 m/m	2	
5	27010-1013	SWITCH ASSY, oil pressure	1	
6	92055-055	"O" RING, oil pressure switch	1	
7	92066-021	PLUG, oil pipe	2	
8	92003-098	BOLT, breather	1	
9	670B2016	"O" RING, 16 m/m	1	
10	14070-007	BODY, breather	1	
11	92055-052	"O" RING, breather body	1	
12	220B0640	SCREW, pan head, 6 x 40	2	
13	92027-276	COLLAR	2	
14	92059-140	TUBE, breather	4	
15	14068-009	PLATE, breather, upper	1	
16	14068-007	PLATE, breather, lower	1	
17	610A0614	PIN, dowel, 6 x 14	8	
18	16115-013	PLUG, oil filler	1	
19	92055-049	"O" RING, oil filler plug	1	
20	552B1014	PIN, dowel, 10 x 14	4	
21	14001-104	CRANKCASE SET	1	Flat Black
22	92042-007	PIN, dowel, 8 x 14	8	
23	14013-001	RING, bearing setting	2	
24	92042-016	PIN, dowel, 6 x 16	3	
25	92003-107	BOLT, hex head, 8 x 72	4	

6. Crankcase Bolt & Stud Pattern

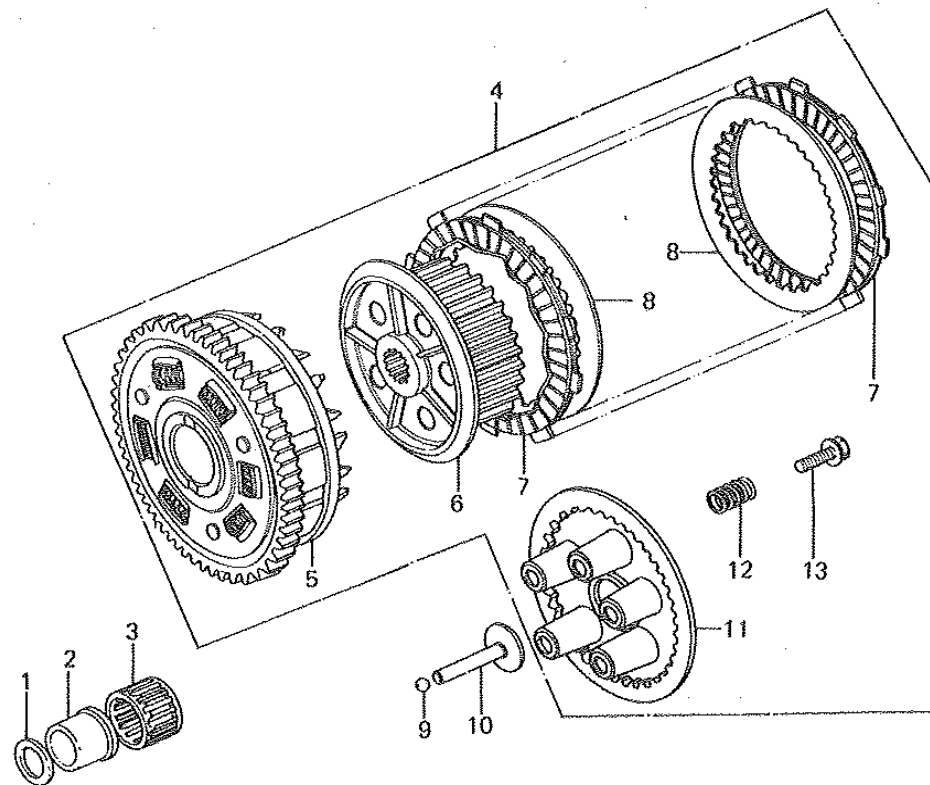
Rev. No.		Date	
----------	--	------	--



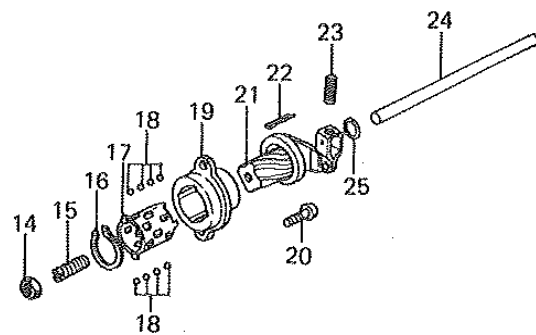
Ref. No.	Part No.	Part Name	Quantity	Remarks
1	92004-1003	STUD, 10 x 158	4	
2	92004-1004	STUD, 10 x 133	4	
3	92004-1002	STUD, 10 x 167	4	
4	92003-228	BOLT, hex head, 6 x 43	12	
5	410B0600	WASHER, plain, 6 m/m	1	
6	92003-110	BOLT, hex head, 6 x 54	3	
7	92003-111	BOLT, hex head, 6 x 99	1	
8	92003-113	BOLT, hex head, 6 x 116	1	
9	92003-106	BOLT, hex head, 8 x 95	2	
10	92003-107	BOLT, hex head, 8 x 72	4	
11	92003-108	BOLT, hex head, 8 x 81	2	
12	92003-112	BOLT, hex head, 6 x 94	4	
13	92003-114	BOLT, hex head, 6 x 72	1	
14	92056-048	"O" RING	1	

7. Clutch

Rev. No.	Date
----------	------

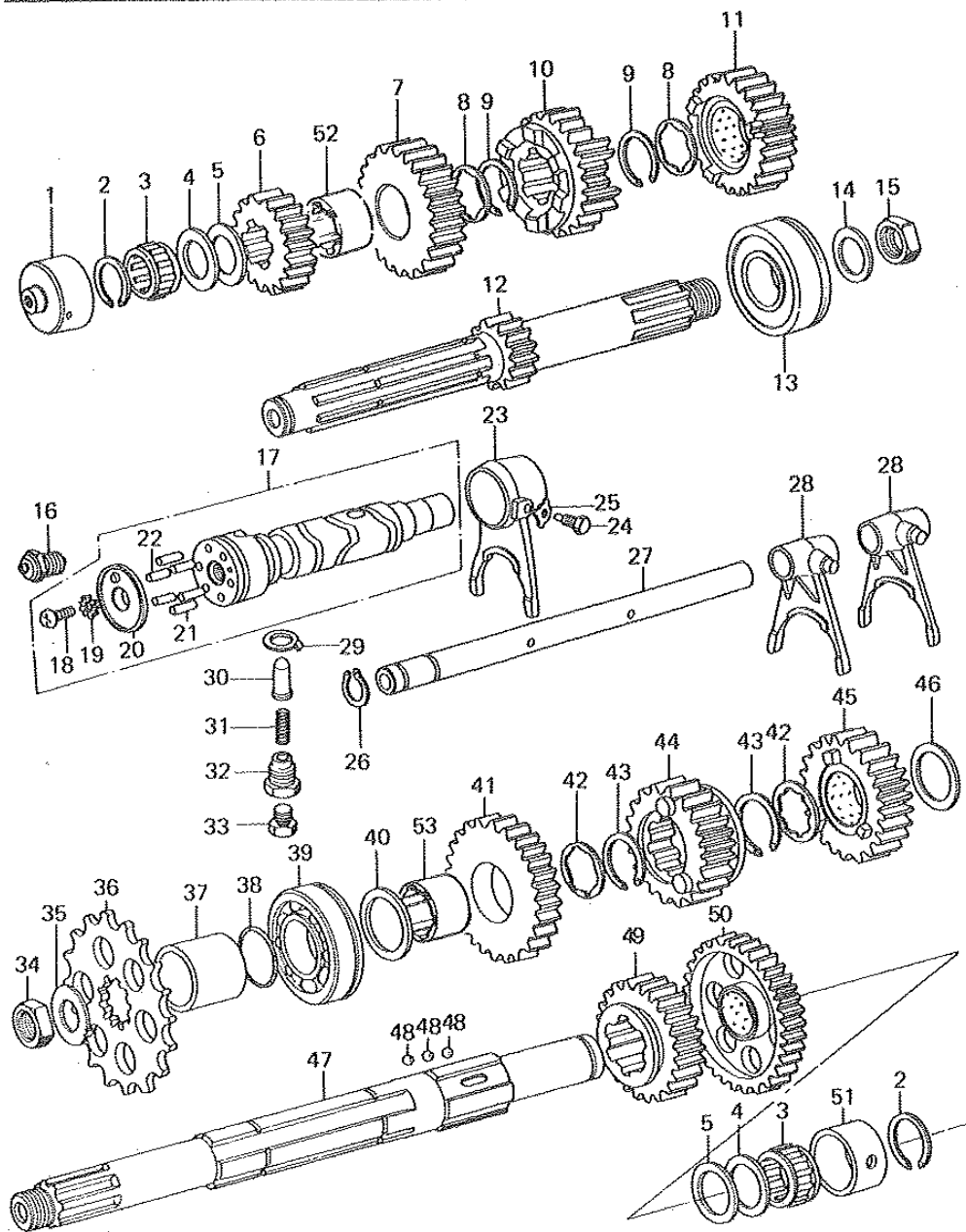


Ref. No.	Part No.	Part Name	Quantity	Remarks
1	92026-022	WASHER, clutch thrust	1	
2	92028-135	BUSHING, clutch	1	
3	92046-028	NEEDLE BEARING, clutch	1	KTV323723
4	13081-1005	CLUTCH ASSY	1	
5	13095-036	HOUSING, clutch	1	
6	13087-031	HUB, clutch	1	
7	13088-030	PLATE, clutch friction	8	
8	13089-022	PLATE, clutch steel	7	
9	600A1200	BALL, steel, 3/8"	1	
10	13116-022	PUSHER, clutch spring plate	1	
11	13187-006	PLATE, clutch spring	1	
12	92081-1033	SPRING, clutch	5	
13	92001-1066	BOLT, hex head, 6 x 20	5	
14	318B0800	NUT, 8 m/m	1	
15	92014-014	SCREW, slotted, 8 x 25	1	
16	480J1500	CIRCLIP, 15 m/m	1	
17	13197-004	RETAINER	1	
18	600A0400	BALL, steel, 1/8"	11	
19	13118-011	OUTER, clutch release	1	
20	220B0616	SCREW, pan head, 6 x 16	2	
21	13102-019	INNER, clutch release	1	
22	550D1615	PIN, cotter, 1.6 x 15	1	
23	92081-089	SPRING, clutch release	1	
24	13116-021	ROD, clutch push	1	
25	670B1507	"O" RING, 7m/m	1	



8. Transmission Gears (1/2)

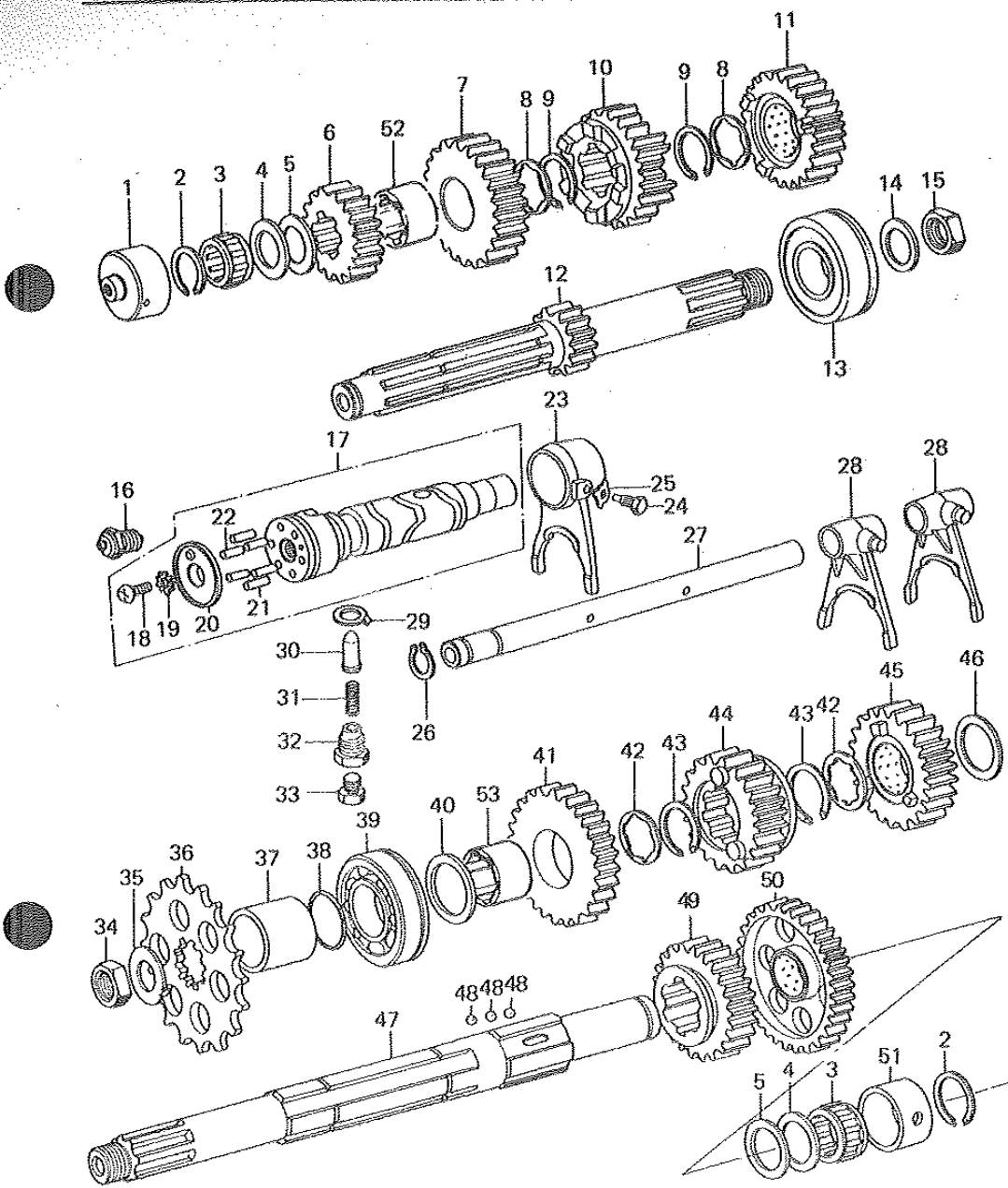
Rev. No.	Date
----------	------



Ref. No.	Part No.	Part Name	Quantity	Remarks
1	92028-122	BUSHING, drive shaft	1	
2	92033-025	CIRCLIP	2	
3	92046-031	NEEDLE BEARING, PK223013.8	2	
4	92022-212	WASHER, thrust	2	1.6t
	92022-213	WASHER, thrust	2	1.2t
5	92022-211	WASHER, thrust	2	1.0t
6	13130-032	2ND GEAR, drive shaft	1	16T
7	13136-042	TOP GEAR, drive shaft	1	23T
8	92024-042	WASHER, lock	2	
9	480J2800	CIRCLIP, 28 m/m	2	
10	13132-030	3RD GEAR, drive shaft	1	21T
11	13134-016	4TH GEAR, drive shaft	1	21T
12	13127-042	SHAFT, drive	1	12T
13	92045-022	BEARING, ball, #5305NB	1	
14	92125-002	WASHER	1	
15	92019-015	NUT, lock, 20 m/m	1	
16	13151-022	SWITCH, neutral indicator	1	
17	13239-010	DRUM ASSY, gear change	1	
18	220B0614	SCREW, pan head, 6 x 14	1	
19	464G0600	WASHER, lock, 6 m/m	1	
20	13142-013	PLATE, change drum pin	1	
21	92042-014	PIN, change drum	5	L=15.8 m/m
22	92042-020	PIN, change drum	1	L=17.8 m/m
23	13140-046	SHIFT FORK	1	
24	92043-016	PIN, shift fork	1	
25	92031-001	WASHER, lock	1	
26	480J1200	CIRCLIP, 12 m/m	1	
27	13209-011	ROD, shift	1	
28	13140-045	SHIFT FORK	2	
29	92024-047	WASHER, lock	1	
30	92043-085	PIN	1	

8. Transmission Gears (2/2)

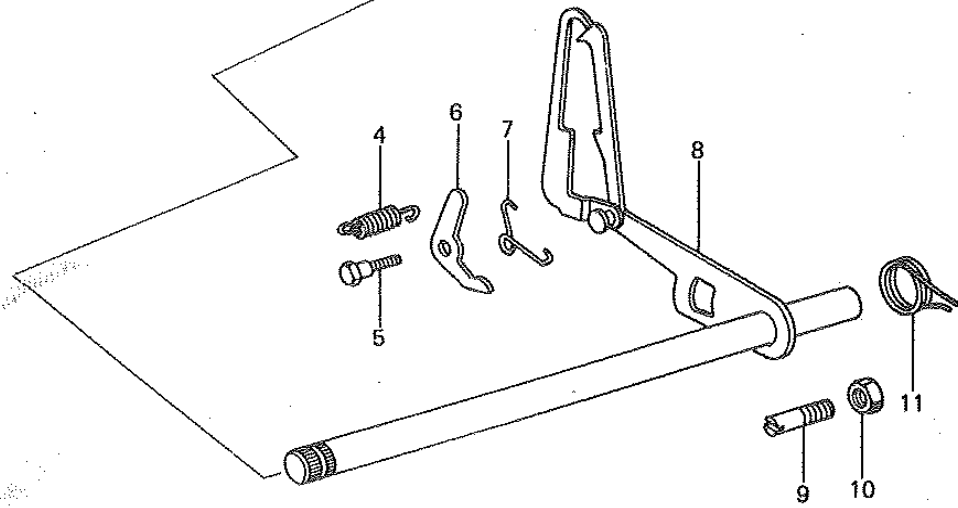
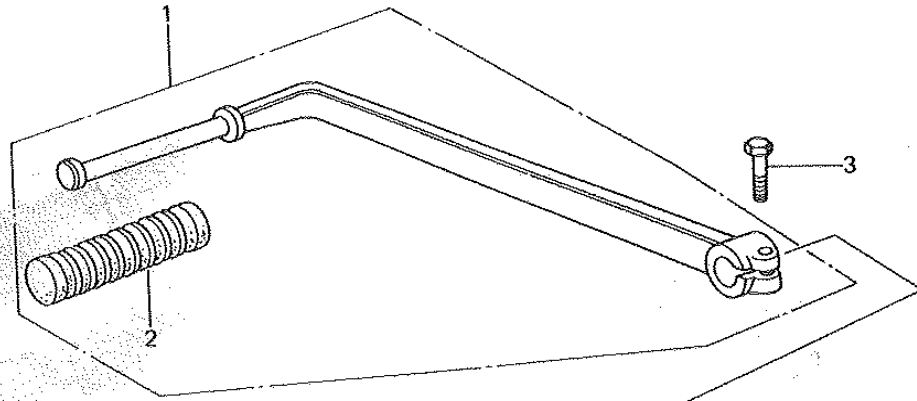
Rev. No.	Date
----------	------



Ref. No.	Part No.	Part Name	Quantity	Remarks
31	92081-106	SPRING, change drum positioning	1	
32	92001-112	BOLT, change drum positioning	1	
33	92001-119	BOLT	1	
34	92016-028	NUT, 20 m/m	1	
35	92024-044	WASHER, lock, 12 m/m	1	
36	13144-1001	ENGINE SPROCKET, 15T	1	
37	92027-288	COLLAR, engine sprocket	1	
38	92055-035	"O" RING	1	
39	92045-021	BALL BEARING, BL305	1	
40	92022-210	WASHER, thrust	1	
41	13131-038	2ND GEAR, output shaft	1	
42	92024-043	WASHER, lock	2	
43	480J3000	CIRCLIP, 30 m/m	2	
44	13137-025	TOP GEAR, output shaft	1	28T
45	13133-031	3RD GEAR, output shaft	1	35T
46	92022-209	WASHER, thrust	1	
47	13128-1001	SHAFT, output	1	
48	600A0600	BALL, steel, 3/16"	3	
49	13135-020	4TH GEAR, output shaft	1	29T
50	13129-046	LOW GEAR, output shaft	1	38T
51	92028-123	BUSHING, output shaft	1	
52	92028-1006	BUSHING, top gear	1	
53	92028-1005	BUSHING, 2nd gear	1	

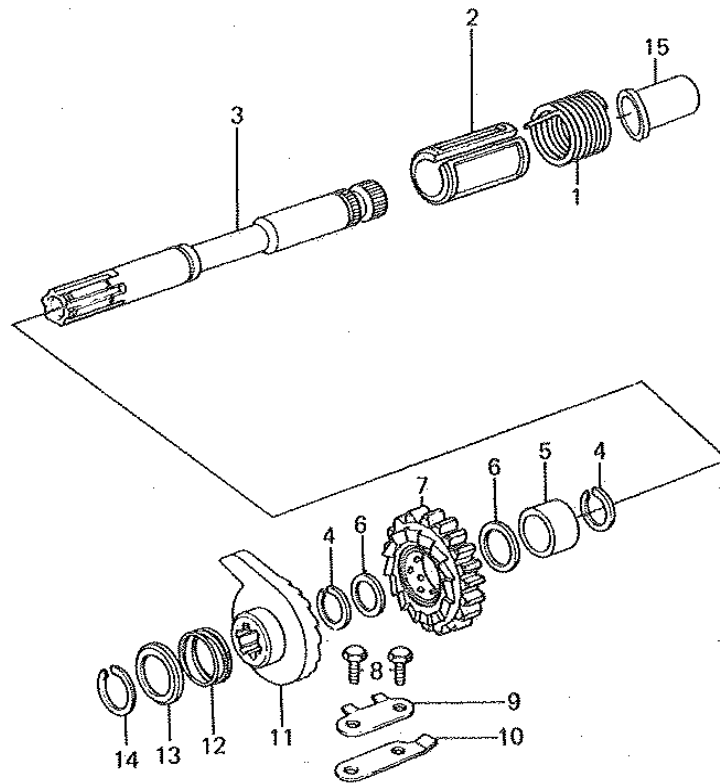
9. Gear Change Mechanism

Rev. No.	Date
----------	------



Ref. No.	Part No.	Part Name	Quantity					Remarks
			ENGLAND	FRANCE	W. GERMANY	ITALY	SWEDEN	
1	13242-006	PEDAL ASSY, gear change	1	1	1	1	1	
	13242-1001	PEDAL ASSY, gear change			1		1	
2	13157-004	RUBBER, change pedal	1	1	1	1	1	
	13157-007	RUBBER, change pedal			1		1	
3	110N0620	BOLT, hex head, 6 x 20	1	1	1	1	1	
4	92081-051	SPRING, change drum lever	1	1	1	1	1	
5	92001-012	BOLT, change drum lever	1	1	1	1	1	
6	13168-024	LEVER, change drum	1	1	1	1	1	
7	92083-018	SPRING, change lever	1	1	1	1	1	
8	13161-029	LEVER ASSY, gear change	1	1	1	1	1	
9	92043-057	PIN, change drum return spring	1	1	1	1	1	
10	312B0800	NUT, 8 m/m	1	1	1	1	1	
11	92083-028	SPRING, change pedal return	1	1	1	1	1	

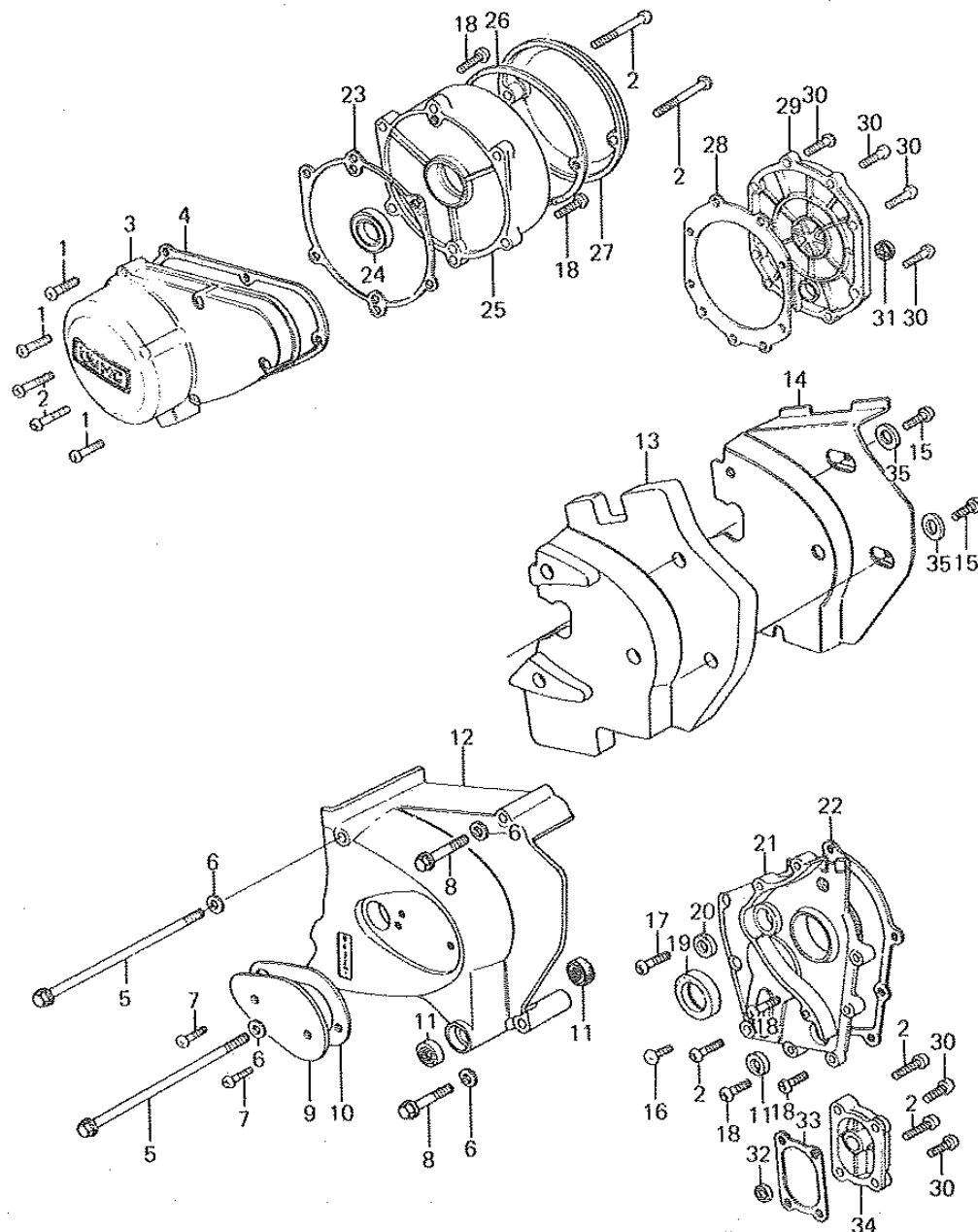
10. Kickstarter Mechanism



Ref. No.	Part No.	Part Name	Quantity	Remarks
1	92082-004	SPRING, kickstarter	1	
2	13070-005	GUIDE, kick spring	1	
3	13066-1004	SHAFT, kickstarter	1	
4	92033-025	CIRCLIP, 19 m/m	2	
5	92028-126	COLLAR, kickshaft	1	
6	92022-207	WASHER, thrust	2	
7	59051-1006	GEAR, kickstarter	1	
8	110G0614	BOLT, hex head, 6 x 14	2	
* 9	92024-036	WASHER, lock, 6 m/m	AR	
* 10	13072-012	STOPPER, kickshaft	1	
11	13078-011	RATCHET	1	
12	92081-104	SPRING, ratchet	1	
13	92102-008	HOLDER, ratchet spring	1	
14	480J1900	CIRCLIP, 19 m/m	1	
15	92074-037	PLUG, rubber	1	

11. Engine Covers

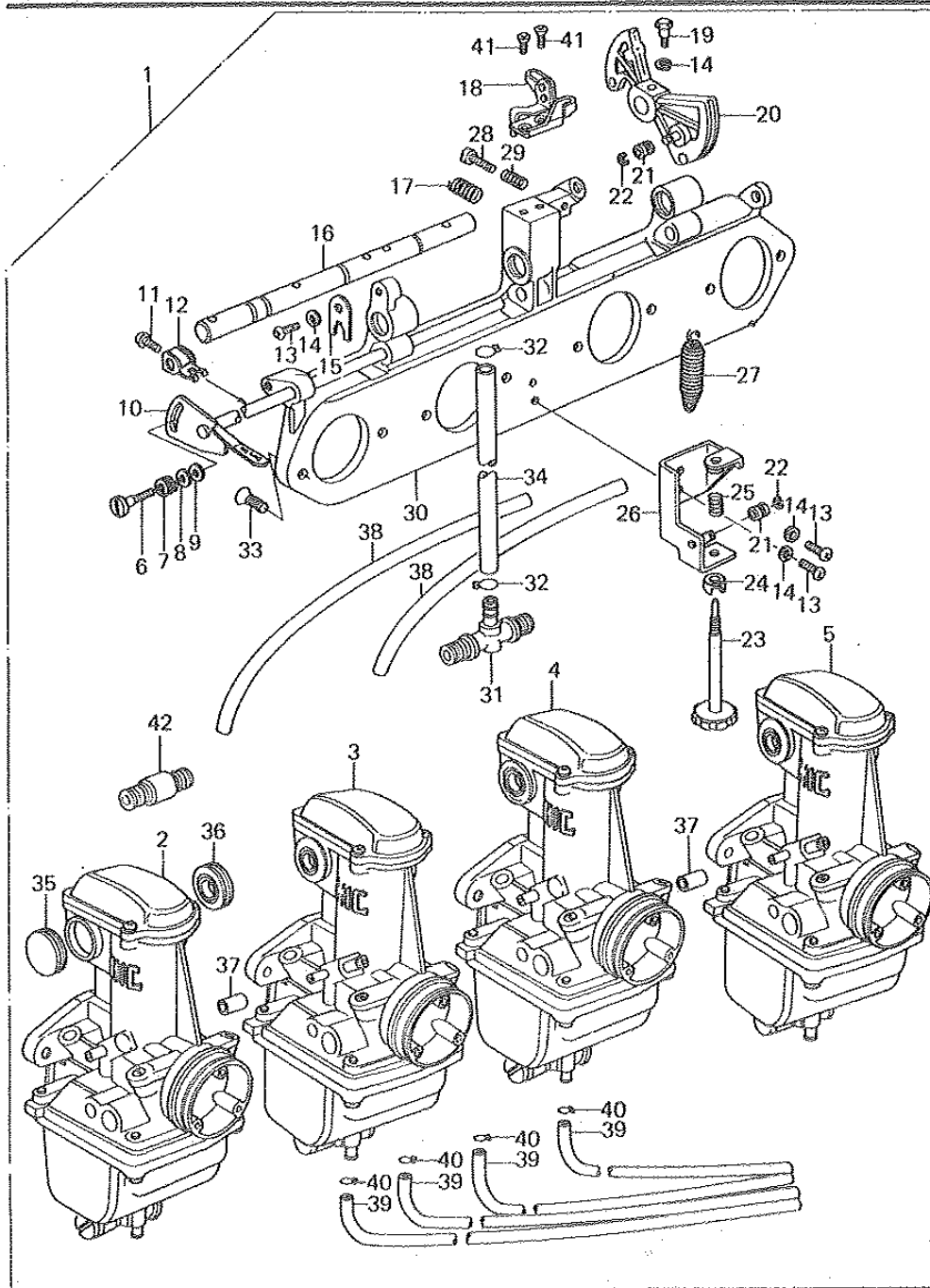
Rev. No.	Date
----------	------



Ref. No.	Part No.	Part Name	Quantity	Remarks
1	220B0630	SCREW, pan head, 6 x 30	6	
2	220B0640	SCREW, pan head, 6 x 40	8	
3	14031-100-80	COVER, L. H. engine	1	Buff Finish
4	14045-014	GASKET, L. H. engine cover	1	
5	110G06125	BOLT, hex head, 6 x 125	2	
6	410B0600	WASHER, plain, 6 m/m	4	
7	220B0616	SCREW, pan head, 6 x 16	2	
8	110G0671	BOLT, hex head, 6 x 71	2	
9	14026-012	COVER, oil pump	1	
10	14045-015	GASKET, oil pump cover	1	
11	92049-004	OIL SEAL, SB12205	3	
12	14026-039-80	COVER, front chain	1	Buff Finish
13	92075-314	ARRESTER, sound	1	
14	14024-012	COVER, sound arrester retaining	1	
15	220B0610	SCREW, pan head, 6 x 10	4	
16	220B0660	SCREW, pan head, 6 x 60	1	
17	220B0628	SCREW, pan head, 6 x 28	1	
18	220B0622	SCREW, pan head, 6 x 22	11	
19	92050-024	OIL SEAL, SC325210	1	
20	92050-048	OIL SEAL, TC7187	1	
21	14024-007	COVER, transmission	1	
22	14058-004	GASKET, transmission cover	1	
23	14046-023	GASKET, R. H. engine cover	1	
24	92050-047	OIL SEAL	1	
25	14032-083	COVER, R. H. engine	1	
26	14050-006	GASKET, breaker point cap	1	
27	14027-023-80	CAP, contact breaker point	1	Buff Finish
28	14046-024	GASKET, clutch cover	1	
29	14032-121	COVER, clutch	1	
30	220B0625	SCREW, pan head, 6 x 25	11	
31	52015-004	GAUGE, oil level	1	
32	92049-001	OIL SEAL, SB22325.5	1	
33	14046-025	GASKET, kick cover	1	
34	14032-075-21	COVER, kickstarter	1	Flat Black
35	411B0600	WASHER, plain, 6 m/m	4	

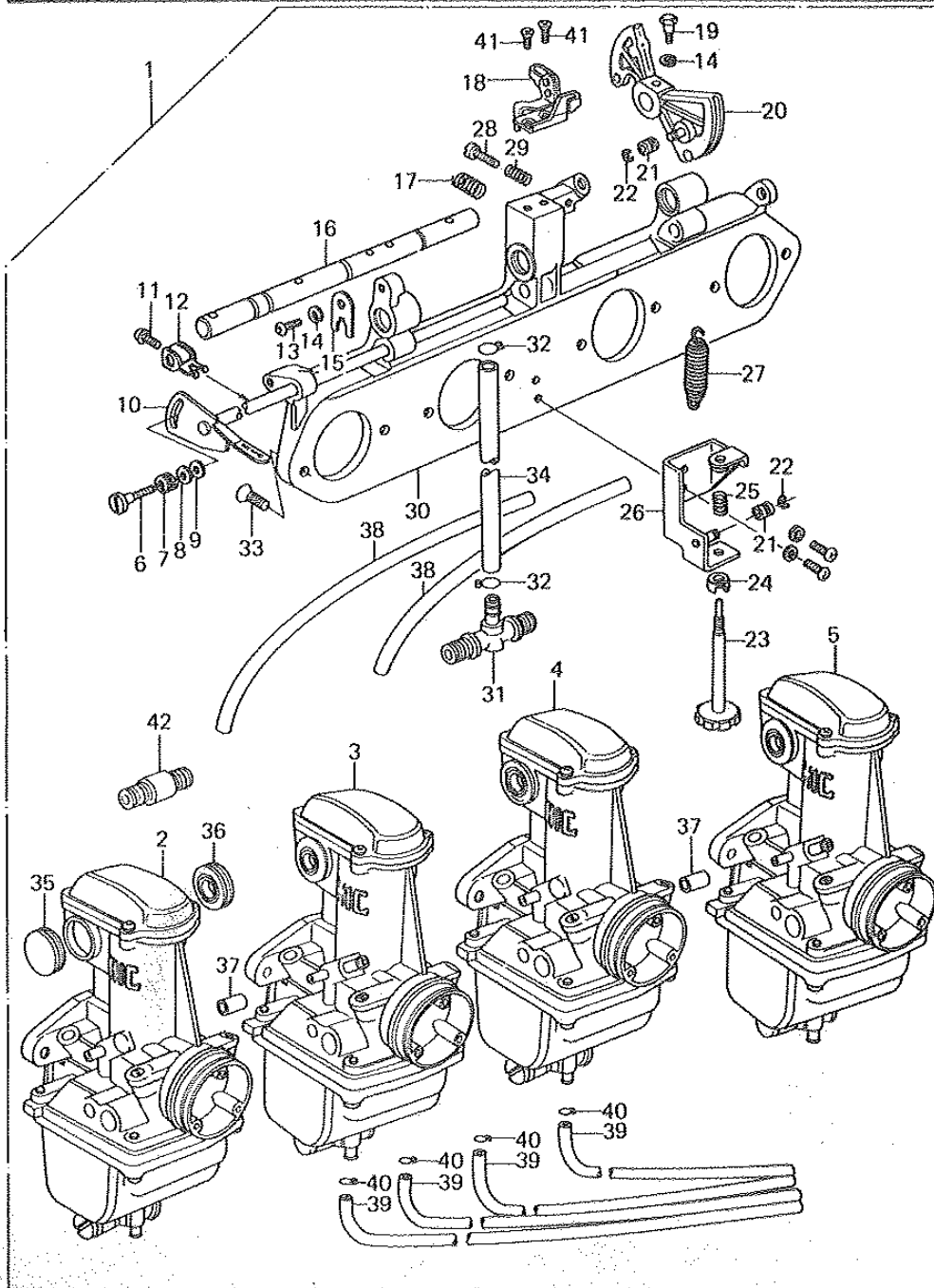
12. Carburetors A (1/2)

Rev. No.	Date
----------	------



Ref. No.	Part No.	Part Name	Quantity	Remarks
1	16001-1040	CARBURETOR ASSY	1	
2	16001-1051	CARBURETOR, L. H. outside	1	
3	16001-1052	CARBURETOR, L. H. inside	1	
4	16001-1053	CARBURETOR, R. H. inside	1	
5	16001-1054	CARBURETOR, R. H. outside	1	
6	16046-005	SCREW, starter lever	1	
7	16040-009	SPRING, starter lever screw	1	
8	410B0500	WASHER, plain, 5 m/m	1	Steel
9	16039-019	WASHER, plain	1	Nylon
10	16041-021	SHAFT, starter plunger	1	
11	16046-007	SCREW, pan head	4	
12	16068-014	LEVER, starter plunger	4	
13	220B0514A	SCREW, pan head, 5 x 14	3	
14	461F0500	WASHER, spring, 5 m/m	4	
15	16055-012	PLATE, shaft stopper	1	
16	16041-017	SHAFT, carburetor connection	1	
17	16040-022	SPRING, throttle cable pulley	1	
18	16077-017	BRACKET, throttle cable pulley	1	
19	16067-006	BOLT, throttle lever	1	
20	13168-1024	PULLY, throttle cable	1	
21	16073-016	RING	2	
22	482K3000	CIRCLIP, 3 m/m	2	
23	16021-1006	SCREW, throttle stop	1	
24	92028-1025	BUSHING	1	
25	16022-017	SPRING, throttle stop screw	1	
26	11034-1185	BRACKET, throttle cable pulley	1	
27	92081-1028	SPRING, throttle cable pulley	1	
28	16021-020	SCREW, adjuster	1	
29	16022-010	SPRING, adjuster screw	1	
30	16065-1009	HOLDER, carburetor mounting	1	

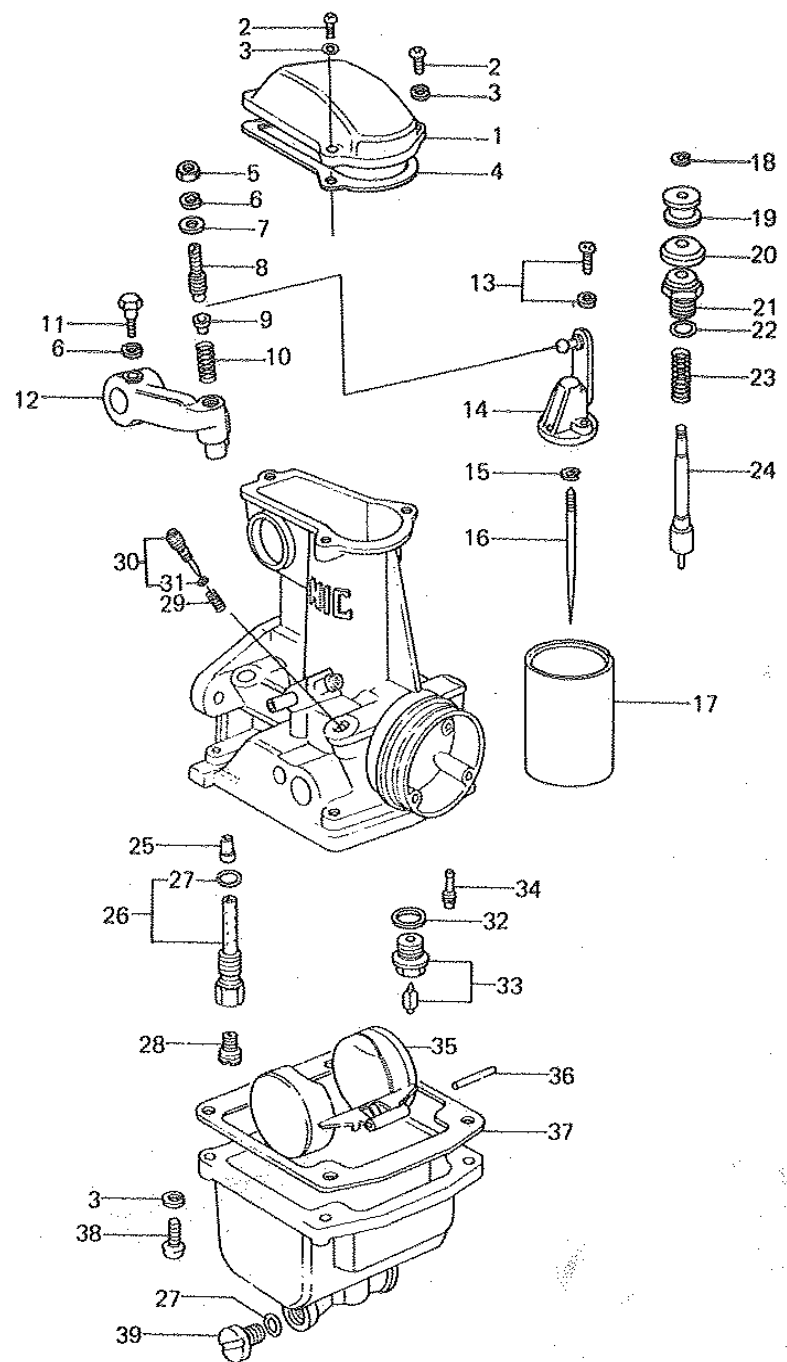
12. Carburetors A (2/2)



Ref. No.	Part No.	Part Name	Quantity	Remarks
31	16046-011	NIPPLE, fuel hose	1	
32	92037-056	CLAMP, fuel hose	2	
33	16033-029	SCREW, countersunk head	8	
34	92059-143	HOSE, fuel, 6.5φ x 11.5φ x 180	1	
35	16039-042	CAP, rubber	2	
36	92071-104	GROMMET, carburetor	6	
37	92059-141	HOSE, 6φ x 11.5φ x 16	2	
38	92059-1028	HOSE, 5φ x 8φ x 550	2	
39	92059-147	HOSE, overflow	4	
40	92037-173	CLAMP, overflow hose	4	
41	22180510A	SCREW, countersunk head, 5 x 10	2	
42	16046-010	NIPPLE, fuel hose	2	

13. Carburetors B (1/2)

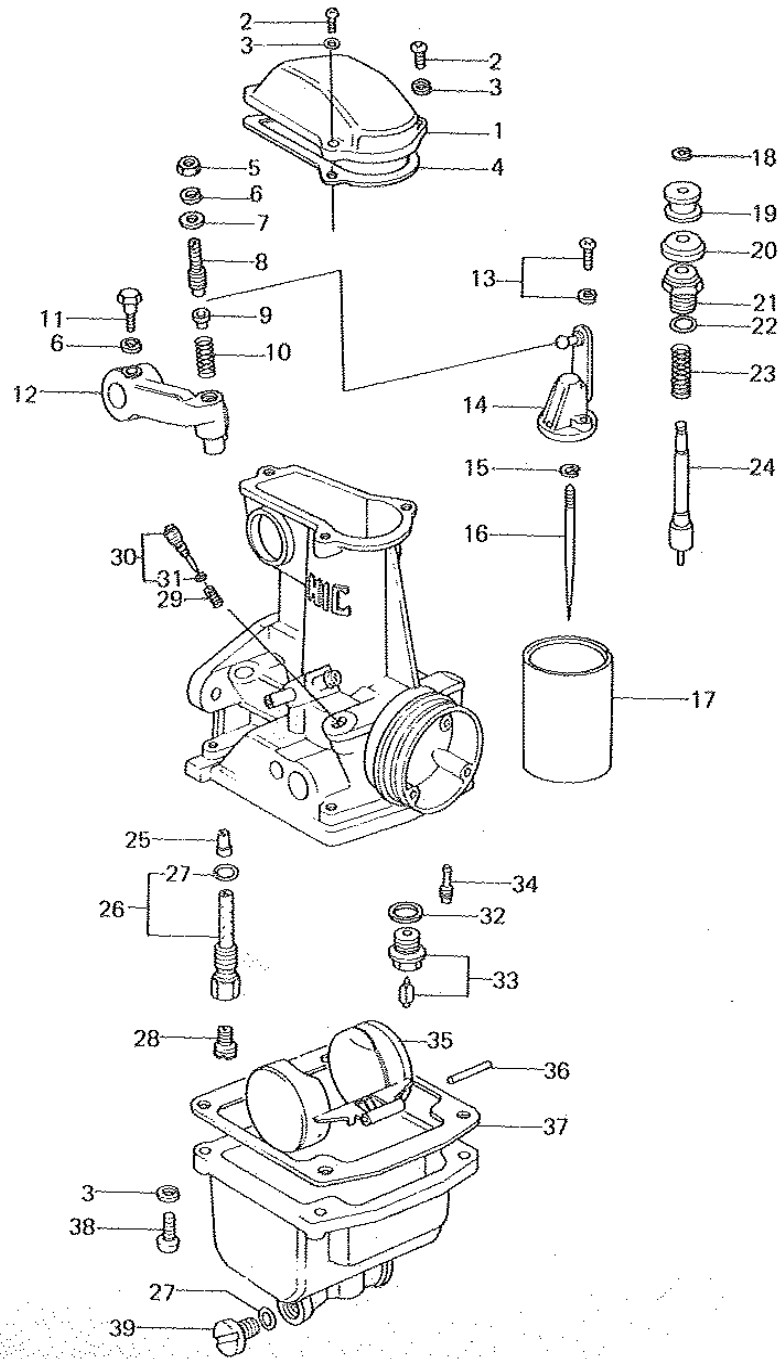
Rev. No.		Date	
----------	--	------	--



Ref. No.	Part No.	Part Name	Quantity	Remarks
1	16005-027	TOP, mixing chamber	4	
2	16033-013	SCREW, pan head, 4 x 14	12	
3	461F0400	WASHER, spring, 4 m/m	28	
4	16019-031	GASKET, mixing chamber top	4	
5	16003-013	NUT, 5 m/m	4	
6	461F0500	WASHER, spring, 5 m/m	8	
7	16039-016	WASHER, plain, 5 m/m	4	
8	16046-012	SCREW, slotted	4	
9	16057-002	SEAT, spring	4	
10	16040-026	SPRING	4	
11	16067-006	BOLT, throttle lever	4	
12	16068-016	LEVER, throttle	4	
13	16033-031	SCREW, pan head, 3 x 14	8	
14	16007-028	BRACKET, throttle valve	4	
15	16008-010	CIRCLIP, jet needle	4	
16	16009-1009	JET NEEDLE, 5CN15	4	
17	16025-1009	VALVE, throttle, CA 1.5	4	
18	16076-003	CIRCLIP	4	
19	16073-014	COLLAR	4	
20	16039-015	CAP, rubber	4	
21	16012-015	CAP, starter plunger	4	
22	670B1509	"O" RING, 9 m/m	4	
23	16013-008	SPRING, starter plunger	4	
24	16016-021	PLUNGER, starter	4	
25	16017-1011	NEEDLE JET, O-1	4	
26	49122-1001	PIPE, bleed	4	
27	16038-016	"O" RING	8	
28	92063-073	MAIN JET, # 107.5	4	S.T.D.
	92063-071	MAIN JET, # 102.5	(4)	Option
	92063-072	MAIN JET, # 105	(4)	
	92063-074	MAIN JET, # 110	(4)	
	92063-075	MAIN JET, # 112.5	(4)	

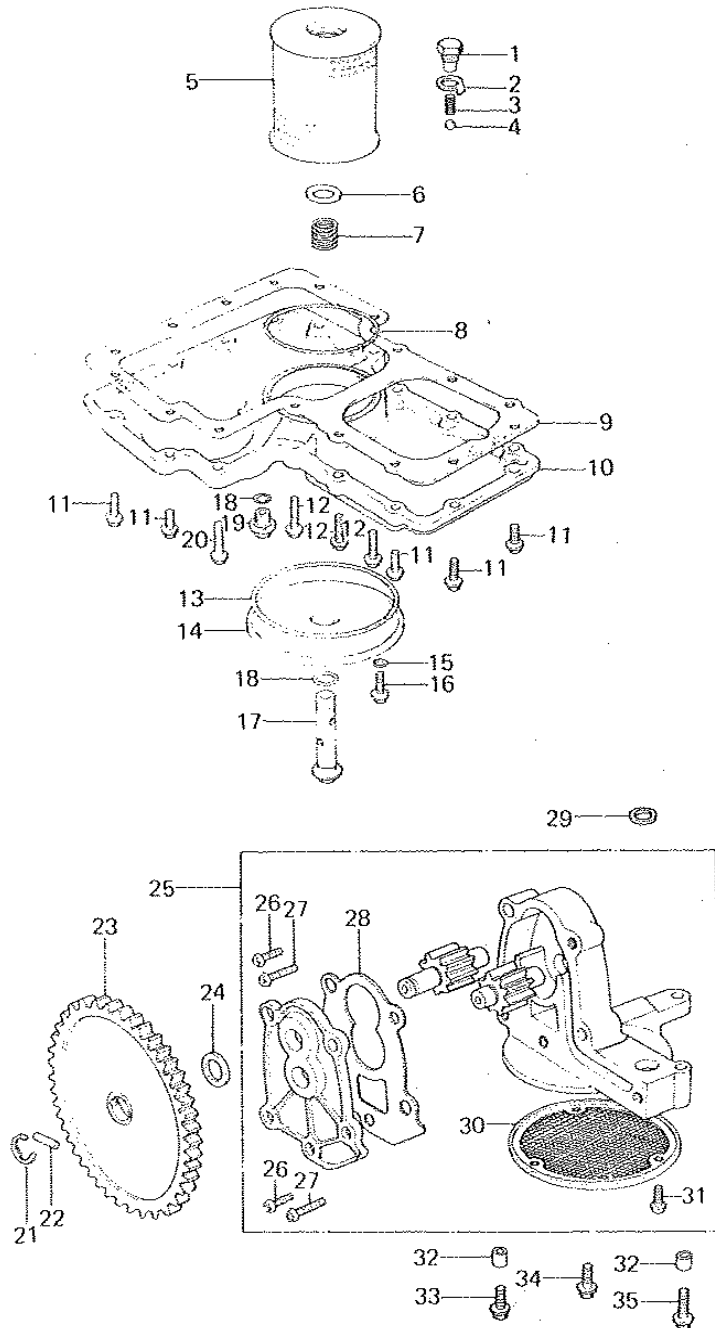
13. Carburetors B (2/2)

Rev. No.		Date	
----------	--	------	--



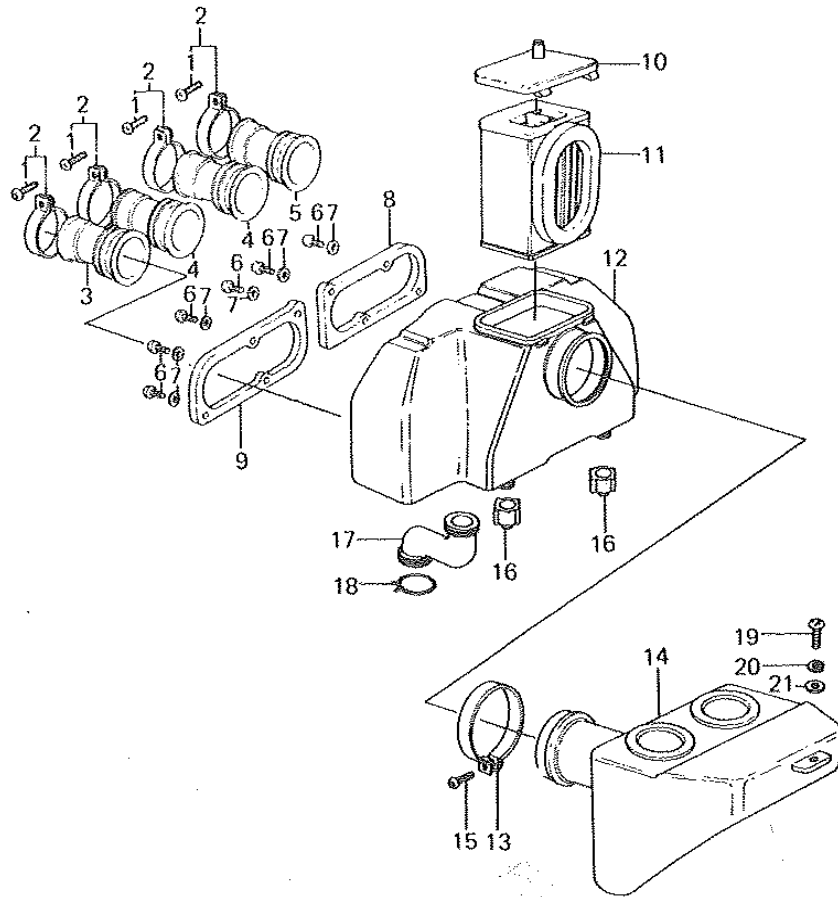
Ref. No.	Part No.	Part Name	Quantity	Remarks
29	16022-007	SPRING, pilot screw	4	
30	16014-1004	SCREW, pilot adjusting	4	
31	16038-022	"O" RING	4	
32	16029-004	GASKET, float valve seat	4	
33	16030-027	FLOAT VALVE ASSY	4	
34	92064-1003	PILOT JET, # 15	4	
35	16031-031	FLOAT	4	
36	16032-003	PIN, float	4	
37	16019-030	GASKET, float chamber	4	
38	220B0416A	SCREW, pan head, 4 x 16	16	
39	16049-007	SCREW, guide	4	

14. Oil Pump, Oil Filter



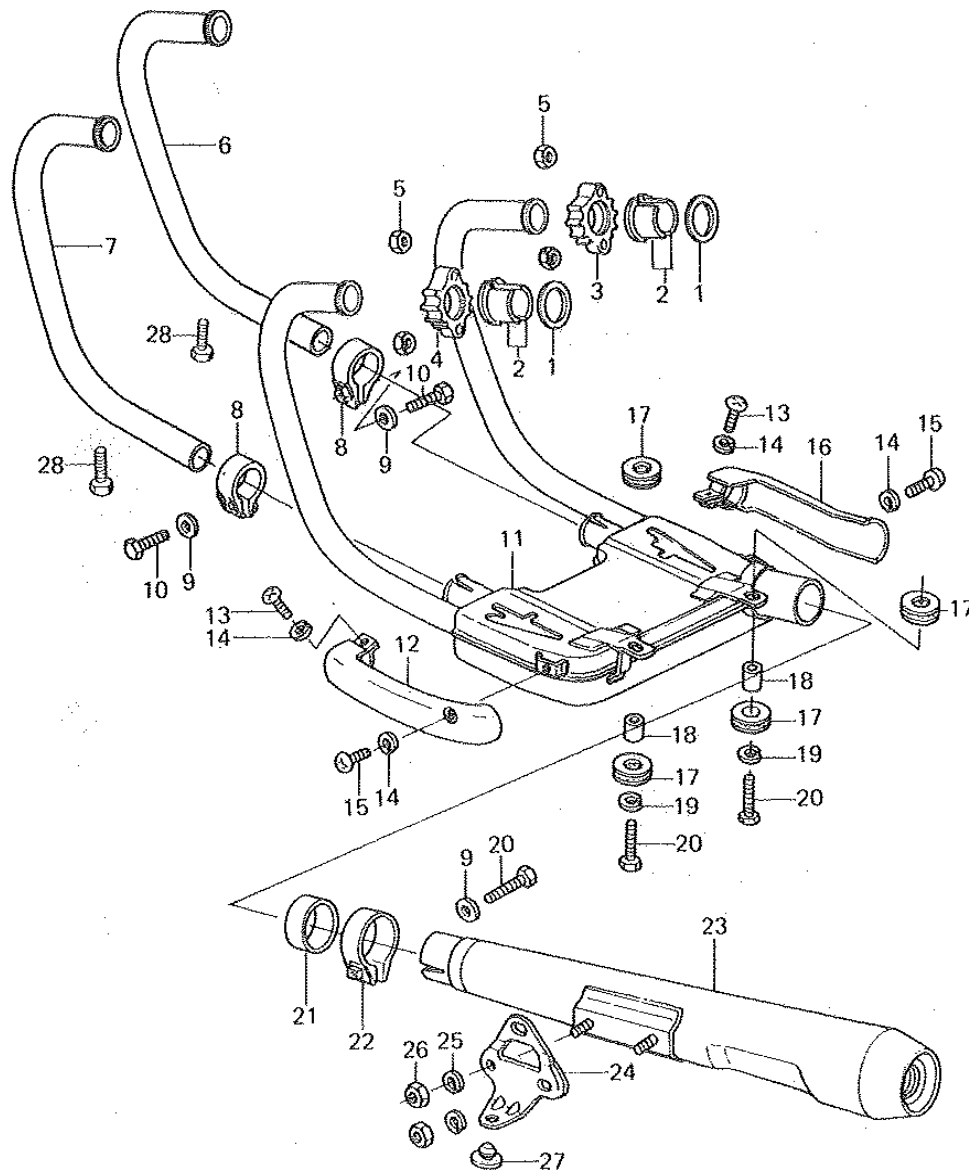
Ref. No.	Part No.	Part Name	Quantity	Remarks
1	92003-095	BOLT, check valve	1	
2	92024-048	WASHER, lock	1	
3	92081-109	SPRING, check valve	1	
4	600A1200	BALL, steel, 3/8"	1	
5	16099-002	ELEMENT, oil filter	1	
*6	92022-220	WASHER, plain	1	WHIN EXH USE 92022-1012
	92022-1012	WASHER, plain	1	
*7	92081-108	SPRING, oil filter	1	WHIN EXH USE 92081-1018
	92081-1018	SPRING, oil filter	1	
8	92055-052	"O" RING, 92 m/m	1	
9	16112-002	GASKET, oil pan	1	
10	16110-003	PAN, oil	1	
11	92003-178	BOLT, hex head, 16 x 25	13	
12	92003-159	BOLT, hex head, 6 x 35	3	
13	671825105	"O" RING, 105 m/m	1	
14	16146-001	COVER, oil filter	1	
15	670B1508	"O" RING, 8 m/m	1	
16	92066-024	PLUG, oil drain	1	
*17	92003-193	BOLT, oil filter	1	WHIN EXH USE 92001-1074
	92001-1074	BOLT, oil filter	1	
18	670B2022	"O" RING, 22 m/m	2	
19	92066-026	PLUG, oil drain	1	
20	92003-179	BOLT, hex head, 6 x 50	1	
21	482K7000	CIRCLIP, 7 m/m	1	
22	551A0314	PIN, dowel, 3 x 14	1	
23	16085-019	GEAR, oil pump	1	
24	92026-080	WASHER, oil pump	1	
25	16082-059	OIL PUMP ASSY	1	
26	22080618	SCREW, pan head, 6 x 18	4	
27	22080628	SCREW, pan head, 6 x 28	2	
28	11009-1029	GASKET, oil pump	1	
29	92055-048	"O" RING	1	
30	16111-004	STRAINER, oil pump	1	
31	22080508A	SCREW, pan head, 5 x 8	3	
32	92042-038	PIN, dowel	2	
33	92001-164	BOLT, hex head, 6 x 35	1	
34	92001-163	BOLT, hex head, 6 x 22	1	
35	92001-165	BOLT, hex head, 6 x 45	1	

15. Air Cleaner



Ref. No.	Part No.	Part Name	Quantity					Remarks
			ENGLAND	FRANCE	W. GERMANY	ITALY	GENERAL SWEDEN	
1	92011-037	SCREW, pan head	4	4	4	4	4	
2	92037-061	CLAMP, air inlet	4	4	4	4	4	
*3	11015-053	INLET PIPE, L. H. OUTSIDE	1	1	1	1	1	
4	11015-051	INLET PIPE, L. H. INSIDE & R. H. INSIDE	2	2	2	2	2	
*5	11015-050	INLET PIPE, R. H. OUTSIDE	1	1	1	1	1	
6	220B0412A	SCREW, pan head, 4 x 12	8	8	8	8	8	
7	410B0400	WASHER, plain, 4 m/m	8	8	8	8	8	
8	11040-003	PLATE, R. H.	1	1	1	1	1	
9	11040-002	PLATE, L. H.	1	1	1	1	1	
10	11012-1006	CAP, air cleaner	1	1	1	1	1	
11	11013-063	ELEMENT, air cleaner	1	1	1	1	1	
*12	11011-1006	BODY, air cleaner	1	1	1		1	
	11011-1025	BODY, air cleaner WHN EXH USE 11011-1025					1	
13	92037-106	CLAMP, silencer	1	1	1	1	1	
14	11016-009	SILENCER	1	1	1	1	1	
15	92011-036	SCREW, 5 x 50	1	1	1	1	1	
16	11012-063	CAP, drain	2	2	2	2	2	
17	92059-124	TUBE, drain	1	1	1	1	1	
18	92037-028	CLAMP, drain tube	1	1	1	1	1	
19	220B0616	SCREW, pan head, 6 x 16	1	1	1	1	1	
20	461F0600	WASHER, spring, 6 m/m	1	1	1	1	1	
21	410B0600	WASHER, plain, 6 m/m	1	1	1	1	1	

16. Mufflers

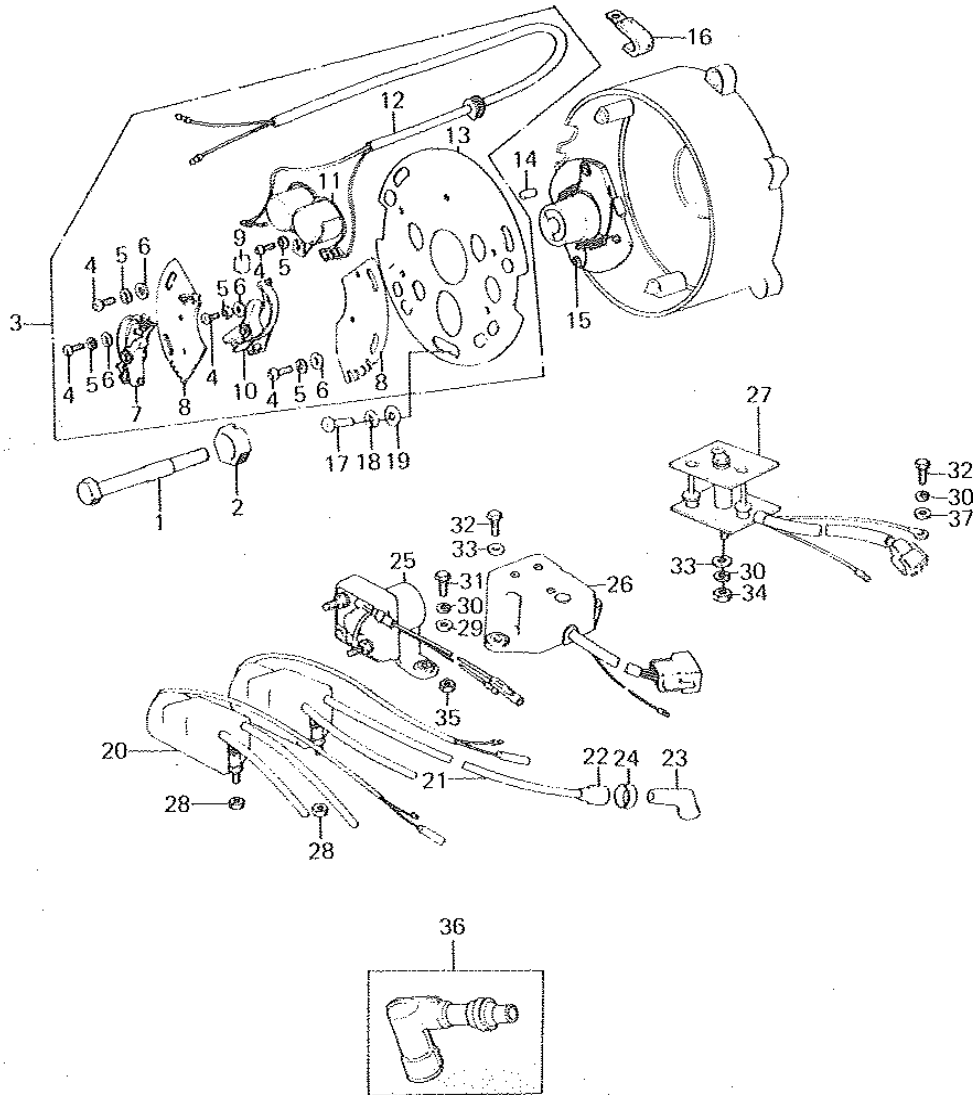


Ref. No.	Part No.	Part Name	Quantity					Remarks
			ENGLAND	FRANCE	W.GERMANY	ITALY	GENERAL SWEDEN	
1	18067-018	GASKET, exhaust pipe	4	4	4	4	4	
2	92027-170	COLLAR, exhaust pipe	8	8	8	8	8	
3	18069-1004	HOLDER, exhaust pipe, R. H.	2	2	2	2	2	
4	18069-1005	HOLDER, exhaust pipe, L. H.	2	2	2	2	2	
5	92017-013	NUT, lock, 8 m/m	8	8	8	8	8	
6	18049-1031	PIPE, exhaust, R. H. inside	1	1	1	1	1	
	18049-1045	PIPE, exhaust, R. H. inside					1	
7	18049-1030	PIPE, exhaust, L. H. inside	1	1	1	1	1	
	18049-1044	PIPE, exhaust, L. H. inside					1	
8	92037-180	CLAMP, exhaust pipe connection	2	2	2	2	2	
9	410B0800	WASHER, plain, 8 m/m	3	3	3	3	3	
10	110G0830	BOLT, hex head, 8 x 30	2	2	2	2	2	
11	49070-1006	BOX, muffler connecting	1	1	1	1	1	
	49070-1008	BOX, muffler connecting					1	
12	14025-1016	COVER, muffler, L. H.	1	1	1	1	1	
13	220B0620	SCREW, pan head, 6 x 20	2	2	2	2	2	
14	92029-004	WASHER, spring, 6 m/m	4	4	4	4	4	
15	92009-1011	SCREW, pan head, 6 x 10	2	2	2	2	2	
	WHN EXH USE 92009-1036							
	92009-1036	SCREW, pan head, 6 x 8	2	2	2	2	2	
16	14025-1017	COVER, muffler, R. H.	1	1	1	1	1	
17	92075-1042	DAMPER RUBBER	4	4	4	4	4	
18	92027-1064	COLLAR	2	2	2	2	2	
19	461F0800	WASHER, spring, 8 m/m	2	2	2	2	2	
20	110G0836	BOLT, hex head, 8 x 36	3	3	3	3	3	
21	11009-1035	GASKET, muffler connection	1	1	1	1	1	
22	92037-1055	CLAMP, muffler connection	1	1	1	1	1	
* 23	18002-1020	MUFFLER WHN EXH USE 18002-1034	1	1			1	
	18002-1034	MUFFLER			1	1		
	18002-1037	MUFFLER					1	
24	32069-1016	BRACKET, muffler	1	1	1	1	1	
25	461F0800	WASHER, spring, 8 m/m	2	2	2	2	2	
26	311B0800	NUT, 8 m/m	2	2	2	2	2	
27	92075-015	DAMPER RUBBER	1	1	1	1	1	
* 28	110N0610	BOLT, hex head, 6 x 10					4	

F/No. 012836~

17. Contact Breaker, Spark Advancer (1/2)

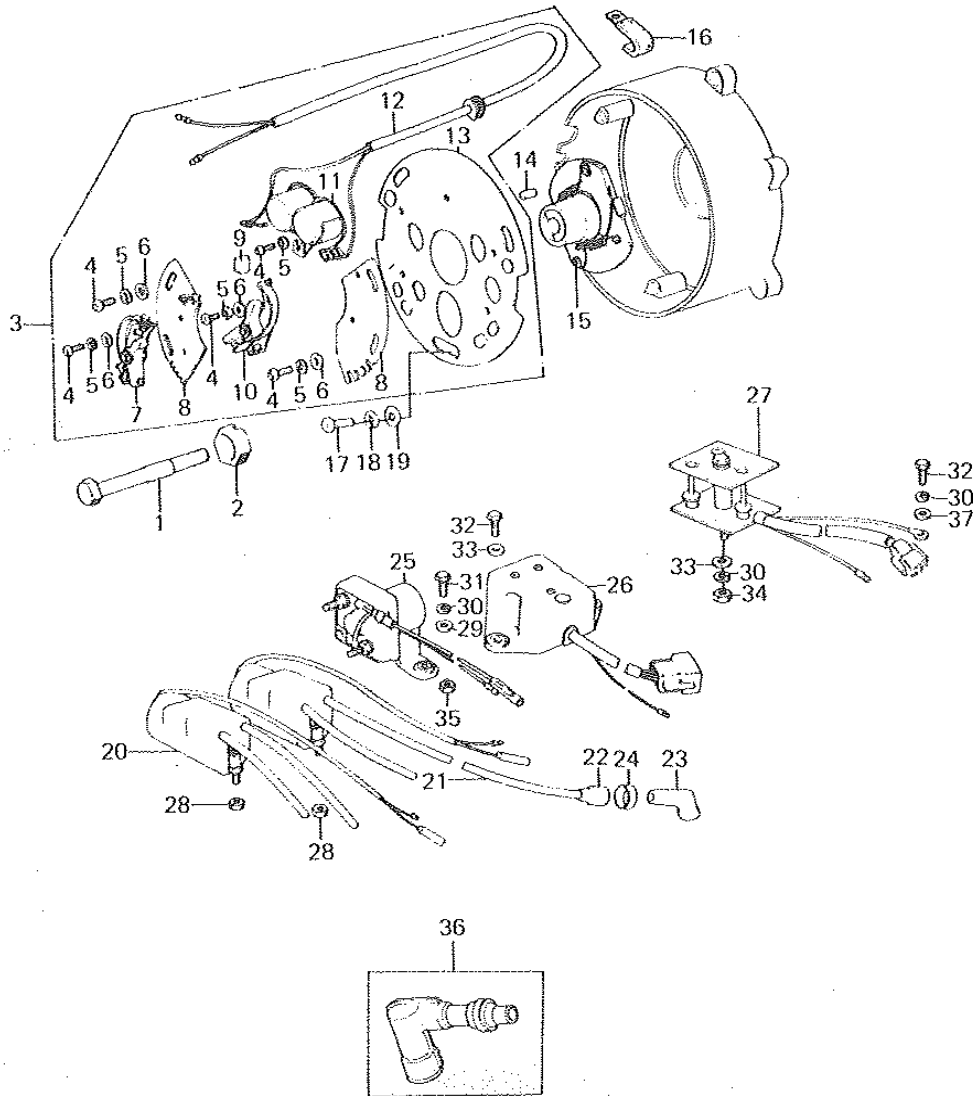
Rev. No.	Date
----------	------



Ref. No.	Part No.	Part Name	Quantity					Remarks
			ENGLAND	FRANCE	W. GERMANY	ITALY	GENERAL SWEDEN	
1	92001-113	BOLT, spark advancer fitting	1	1	1	1	1	
2	92022-244	WASHER, spark advancer	1	1	1	1	1	
3	21135-011	BREAKER ASSY, contact	1	1	1	1	1	
4	220B0408	SCREW, pan head, 4 x 8	9	9	9	9	9	
5	461F0400	WASHER, spring, 4 m/m	9	9	9	9	9	
6	410B0400	WASHER, plain, 4 m/m	9	9	9	9	9	
7	21008-028	BREAKER, contact	1	1	1	1	1	
8	21156-010	PLATE, breaker	2	2	2	2	2	
9	21019-005	FELT, oil	1	1	1	1	1	
10	21008-027	BREAKER, contact	1	1	1	1	1	
11	21013-035	CONDENSER	1	1	1	1	1	
12	21029-037	WIRING HARNESS, breaker	1	1	1	1	1	
13	21021-004	BASE, contact breaker	1	1	1	1	1	
14	92042-034	PIN, dowel, 4 x 8	1	1	1	1	1	
15	21148-1003	ADVANCER ASSY, spark	1	1	1	1	1	
16	21126-008	CLAMP, cord	4	4	4	4	4	
17	220B0512A	SCREW, pan head, 5 x 12	3	3	3	3	3	
18	461F0500	WASHER, spring, 5 m/m	3	3	3	3	3	
19	411B0500	WASHER, plain, 5 m/m	3	3	3	3	3	
20	21121-1003	COIL, ignition	1	1	1	1	1	No. 1 & 4
21	21121-1004	COIL, ignition	1	1	1	1	1	No. 2 & 3
22	21131-005	GROMMET, high tension cord				4		
23	21130-020	CAP, spark plug				4		
24	21131-006	GROMMET, spark plug cap				4		
25	21164-001	SWITCH ASSY, magnetic	1	1	1	1	1	
26	21066-025	REGULATOR, voltage	1	1	1	1	1	
27	21061-1002	RECTIFIER	1	1	1	1	1	
28	92017-014	NUT, lock, 6 m/m	4	4	4	4	4	
29	92022-237	WASHER, plain	2	2	2	2	2	
30	461F0600	WASHER, spring, 6 m/m	4	4	4	4	4	

17. Contact Breaker, Spark Advancer (1/2)

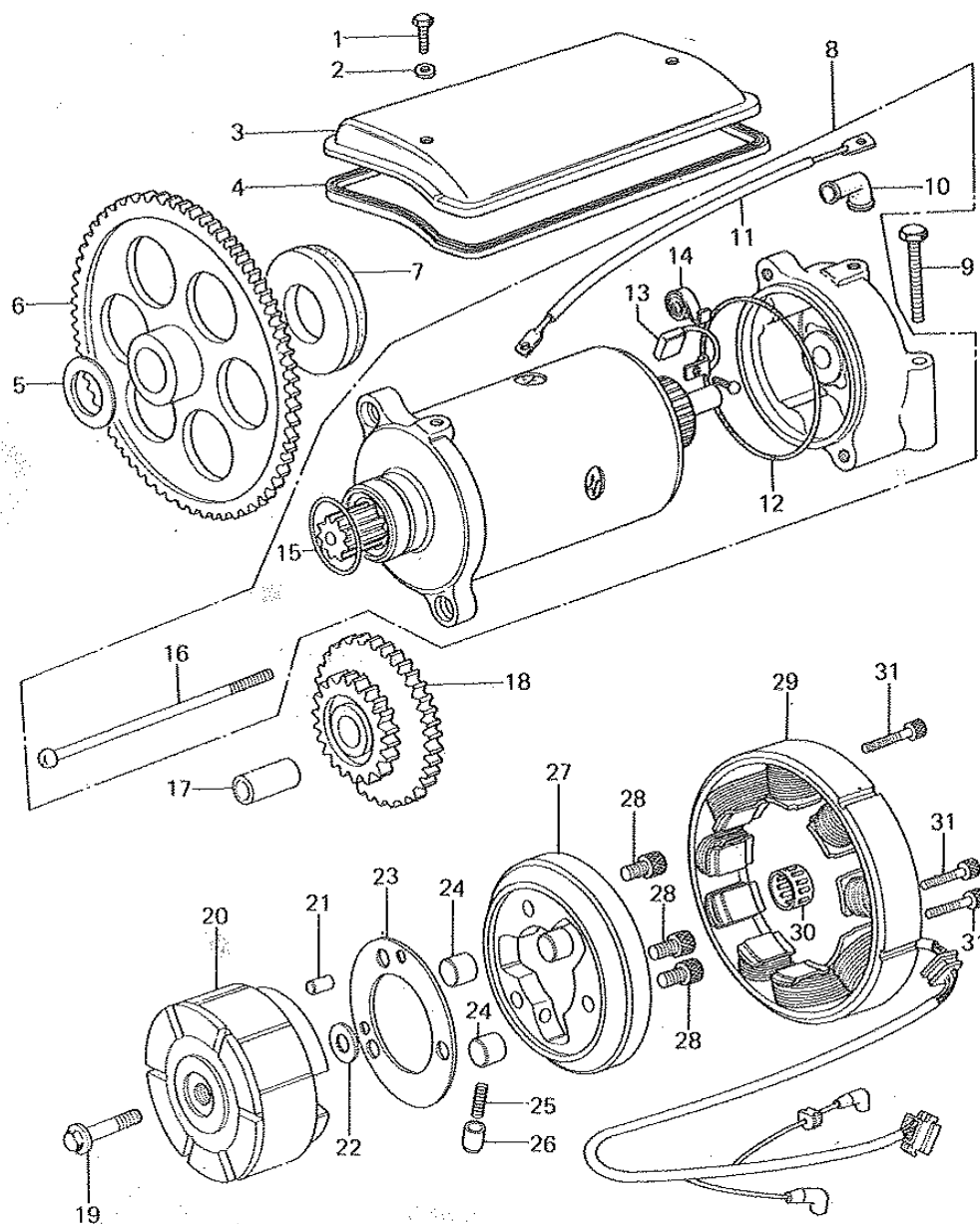
Rev. No.	Date
----------	------



Ref. No.	Part No.	Part Name	Quantity					Remarks	
			ENGLAND	FRANCE	W. GERMANY	ITALY	SWEDEN		GENERAL
1	92001-113	BOLT, spark advancer fitting	1	1	1	1	1	1	
2	92022-244	WASHER, spark advancer	1	1	1	1	1	1	
3	21135-011	BREAKER ASSY, contact	1	1	1	1	1	1	
4	220B0408	SCREW, pan head, 4 x 8	9	9	9	9	9	9	
5	461F0400	WASHER, spring, 4 m/m	9	9	9	9	9	9	
6	410B0400	WASHER, plain, 4 m/m	9	9	9	9	9	9	
7	21008-028	BREAKER, contact	1	1	1	1	1	1	
8	21156-010	PLATE, breaker	2	2	2	2	2	2	
9	21019-005	FELT, oil	1	1	1	1	1	1	
10	21008-027	BREAKER, contact	1	1	1	1	1	1	
11	21013-035	CONDENSER	1	1	1	1	1	1	
12	21029-037	WIRING HARNESS, breaker	1	1	1	1	1	1	
13	21021-004	BASE, contact breaker	1	1	1	1	1	1	
14	92042-034	PIN, dowel, 4 x 8	1	1	1	1	1	1	
15	21148-1003	ADVANCER ASSY, spark	1	1	1	1	1	1	
16	21126-008	CLAMP, cord	4	4	4	4	4	4	
17	220B0512A	SCREW, pan head, 5 x 12	3	3	3	3	3	3	
18	461F0500	WASHER, spring, 5 m/m	3	3	3	3	3	3	
19	411B0500	WASHER, plain, 5 m/m	3	3	3	3	3	3	
20	21121-1003	COIL, ignition	1	1	1	1	1	1	No. 1 & 4
21	21121-1004	COIL, ignition	1	1	1	1	1	1	No. 2 & 3
22	21131-005	GROMMET, high tension cord				4			
23	21130-020	CAP, spark plug				4			
24	21131-006	GROMMET, spark plug cap				4			
25	21164-001	SWITCH ASSY, magnetic	1	1	1	1	1	1	
26	21066-025	REGULATOR, voltage	1	1	1	1	1	1	
27	21061-1002	RECTIFIER	1	1	1	1	1	1	
28	92017-014	NUT, lock, 6 m/m	4	4	4	4	4	4	
29	92022-237	WASHER, plain	2	2	2	2	2	2	
30	461F0600	WASHER, spring, 6 m/m	4	4	4	4	4	4	

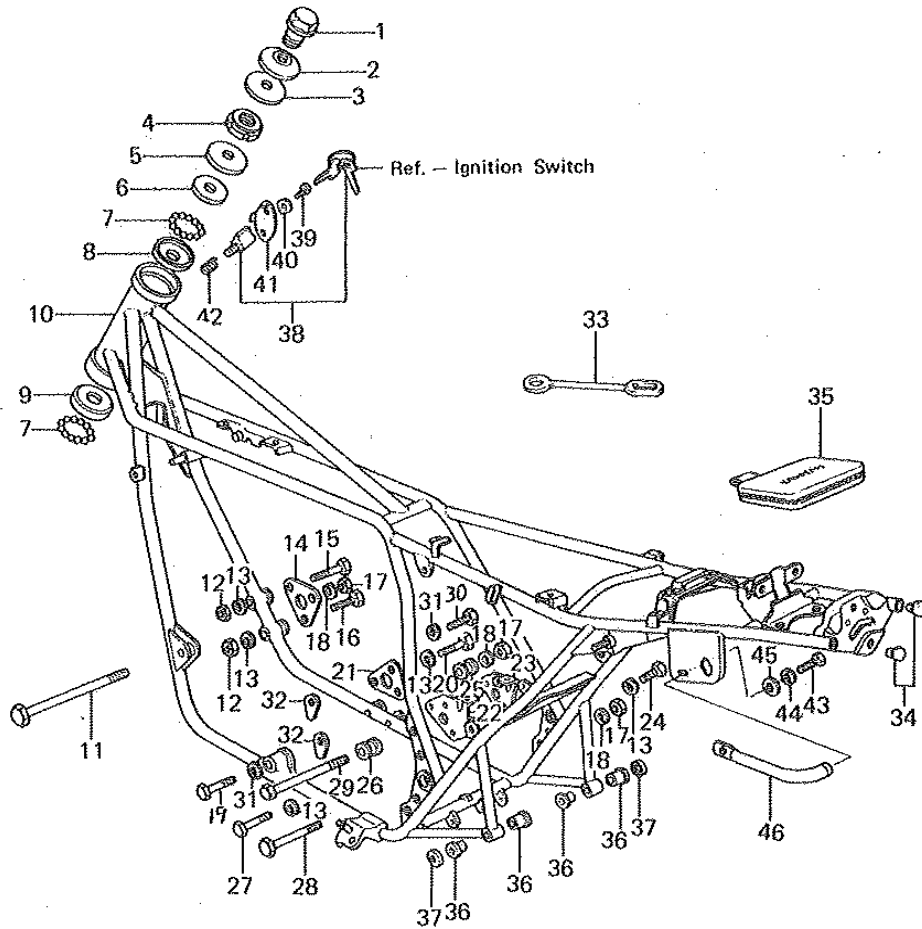
18. Starter Moter, Dynamo

Rev. No.		Date	
----------	--	------	--



Ref. No.	Part No.	Part Name	Quantity	Remarks
1	110N0610	BOLT, hex head, 6 x 10	2	
2	410D0600	WASHER, plain, 6 m/m	2	
3	21165-001	COVER, starting motor	1	
4	21166-001	GASKET, starting motor cover	1	
5	92026-091	WASHER, thrust, 22 m/m	1	
6	21167-003	GEAR, starting clutch	1	71T
7	92075-192	DAMPER RUBBER, 6.3t	AR	
	92075-193	DAMPER RUBBER, 7.3t	AR	
	92075-194	DAMPER RUBBER, 8.3t	AR	
8	21163-008	MOTOR ASSY, starting	1	
9	110B0655	BOLT, hex head, 6 x 55	2	
10	21017-017	CAP, starting motor terminal	1	
11	26010-055	WIRE, starter motor lead	1	
12	21027-003	"O" RING	1	
13	21039-003	BRUSH, carbon	2	
14	21040-003	SPRING, carbon brush	2	
15	21027-004	"O" RING, 25 m/m	1	
16	21015-005	SCREW, pan head, 6 x 110	2	
17	13002-007	COLLAR	1	
18	21167-002	GEAR, starting motor	1	
19	92001-173	BOLT, hex head, 10 x 40	1	
20	21007-1005	ROTOR	1	
21	551A0622	PIN, dowel	1	
22	92026-092	WASHER, plain, 22 m/m	1	
23	92026-112	PLATE, clutch starting	1	
24	92122-001	ROLLER, 15 m/m	3	
25	92081-110	SPRING	3	
26	92043-087	PIN	3	
27	13194-003	CLUTCH, starting	1	
28	92003-104	BOLT, 8 x 16	3	
29	21076-023	STATOR ASSY	1	
30	92046-033	NEEDLE BEARING, K222620	1	
31	120Q0635	BOLT, allen, 6 x 35	3	

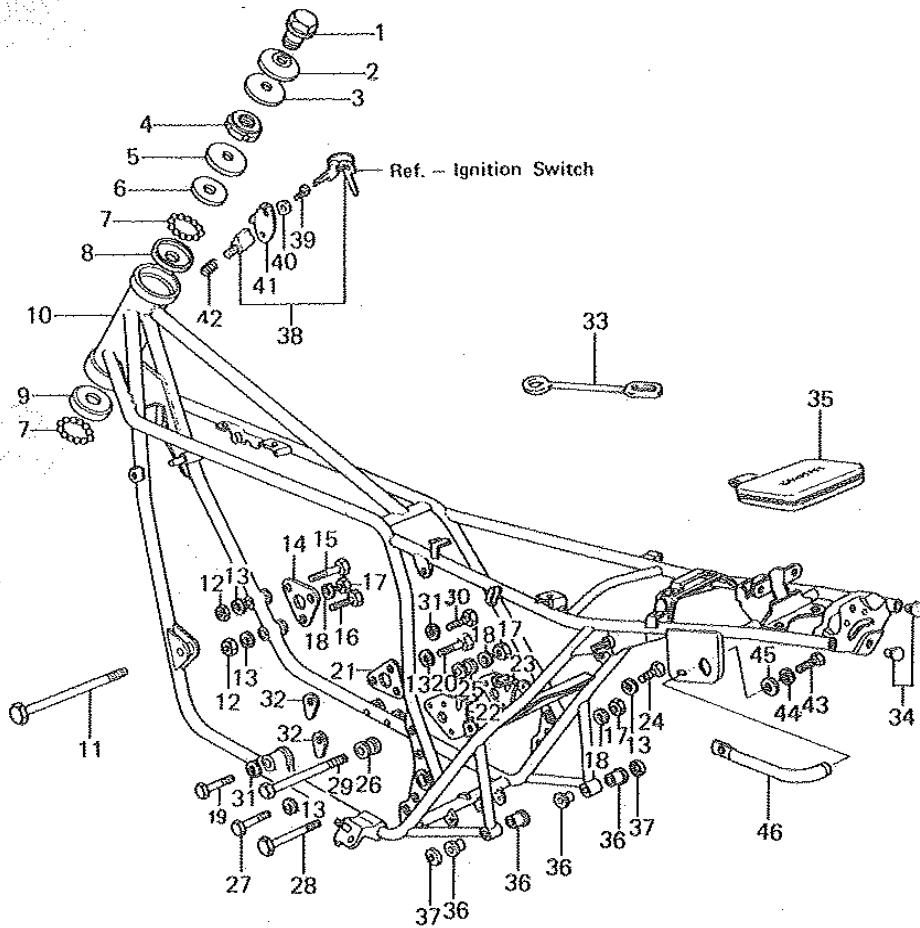
19. Frame (1/2)



Ref. No.	Part No.	Part Name	Quantity					Remarks	
			ENGLAND	FRANCE	W. GERMANY	ITALY	GENERAL		
1	92007-031	BOLT, steering stem head	1	1	1	1	1	1	
2	92022-230	WASHER, steering stem head	1	1	1	1	1	1	
3	46100-003	WASHER, wave	1	1	1	1	1	1	
4	92090-007	NUT, steering stem head	1	1	1	1	1	1	
5	46098-010	CAP, steering stem head	1	1	1	1	1	1	
6	92047-011	CONE, steering stem head upper	1	1	1	1	1	1	
7	600A0800	BALL, steel, 1/4"	39	39	39	39	39	39	
8	92048-006	RACE, steering stem head	1	1	1	1	1	1	
9	92048-008	RACE, steering stem head	1	1	1	1	1	1	
10	32002-1030	FRAME	1	1		1	1		
	32002-1035	FRAME			1		1		
11	92091-022	BOLT, front engine mounting	1	1	1	1	1	1	L = 310 m/m
12	31180800	NUT, 8 m/m	2	2	2	2	2	2	
13	461F0800	WASHER, spring, 8 m/m	8	8	8	8	8	8	
14	32030-025	PLATE, front engine mounting, upper	1	1	1	1	1	1	
15	110G0865	BOLT, hex head, 8 x 65	1	1	1	1	1	1	
16	110G0859	BOLT, hex head, 8 x 59	1	1	1	1	1	1	
17	92019-021	NUT, lock, 10 m/m	3	3	3	3	3	3	
18	461F1000	WASHER, spring, 10 m/m	3	3	3	3	3	3	
19	113B1256A	BOLT, hex head, 12 x 56	1	1	1	1	1	1	
20	110B0818	BOLT, hex head, 8 x 18	2	2	2	2	2	2	
21	32030-026	PLATE, front engine mounting, lower	1	1	1	1	1	1	
22	32029-1023	PLATE, rear engine mounting, L. H.	1	1	1	1	1	1	
23	32029-1024	PLATE, rear engine mounting R. H.	1	1	1	1	1	1	
24	110G0840	BOLT, hex head, 8 x 40	3	3	3	3	3	3	
25	92027-160	COLLAR, engine mounting, R. H.	1	1	1	1	1	1	L = 31 m/m
26	92027-159	COLLAR, engine mounting, L. H.	1	1	1	1	1	1	L = 52 m/m
27	110G0836	BOLT, hex head, 8 x 36	1	1	1	1	1	1	
28	92003-099	BOLT, engine mounting, lower	1	1	1	1	1	1	L = 165 m/m

19. Frame (2/2)

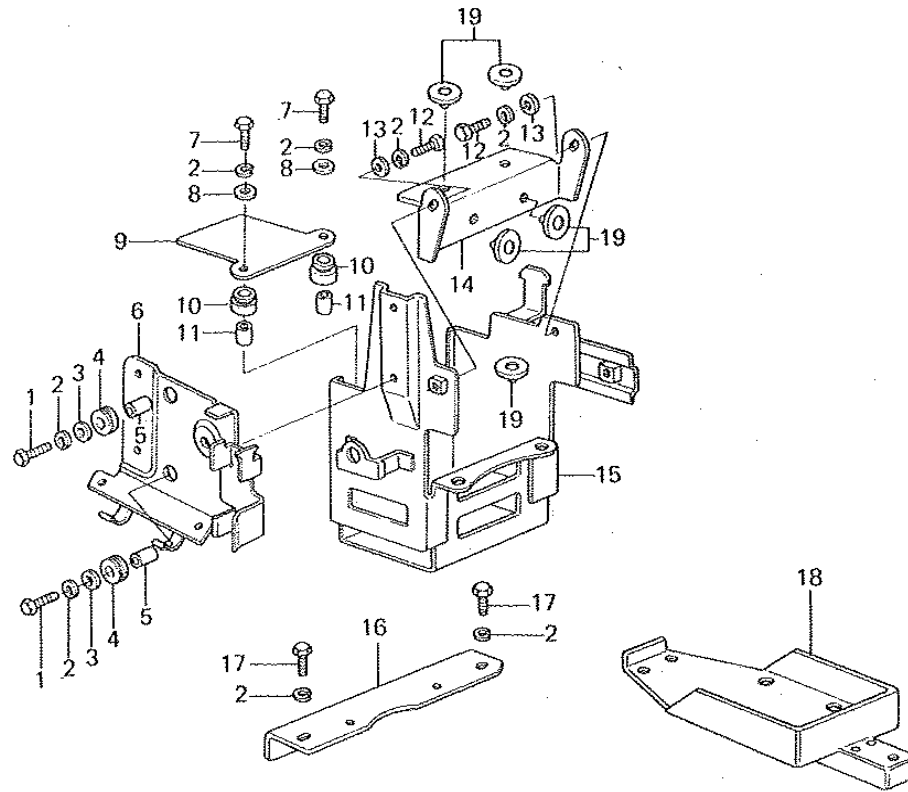
Rev. No.		Date	
----------	--	------	--



Ref. No.	Part No.	Part Name	Quantity					Remarks	
			ENGLAND	FRANCE	W. GERMANY	ITALY	SWEDEN		GENERAL
29	92091-023	BOLT, rear engine mounting, upper	1	1	1	1	1	1	L = 250 m/m
30	113B1271A	BOLT, hex head, 12 x 71	1	1	1	1	1	1	
31	461F1200	WASHER, spring, 12 m/m	2	2	2	2	2	2	
32	92016-045	NUT, lock, 12 m/m	2	2	2	2	2	2	
33	92037-134	CLAMP, overflow pipe	1	1	1	1	1	1	
34	92066-1018	PLUG	2	2	2	2	2	2	
35	56008-1008	BAG	1	1	1	1	1	1	
36	92092-010	BUSHING, muffler fitting	4	4	4	4	4	4	
37	92022-328	WASHER, plain	2	2	2	2	2	2	
38	27016-046	LOCK ASSY, steering	1	1		1		1	Local Procurement Item
		LOCK ASSY, steering						1	
39	92008-007	SCREW, tapping	1	1	1	1	1	1	
40	92097-003	WASHER, wava	1	1	1	1	1	1	
41	27031-005	CAP, steering lock	1	1	1	1	1	1	
42	27032-001	SPRING, steering lock	1	1	1	1	1	1	
43	114B0816	BOLT, hex head, 8 x 16	1	1	1	1	1	1	
44	461F0800	WASHER, spring, 8 m/m	1	1	1	1	1	1	
45	410B0800	WASHER, plain, 8 m/m	1	1	1	1	1	1	
46	32109-1004	GRIP, frame	1	1	1	1	1	1	

20. Battery Case, Tool Case

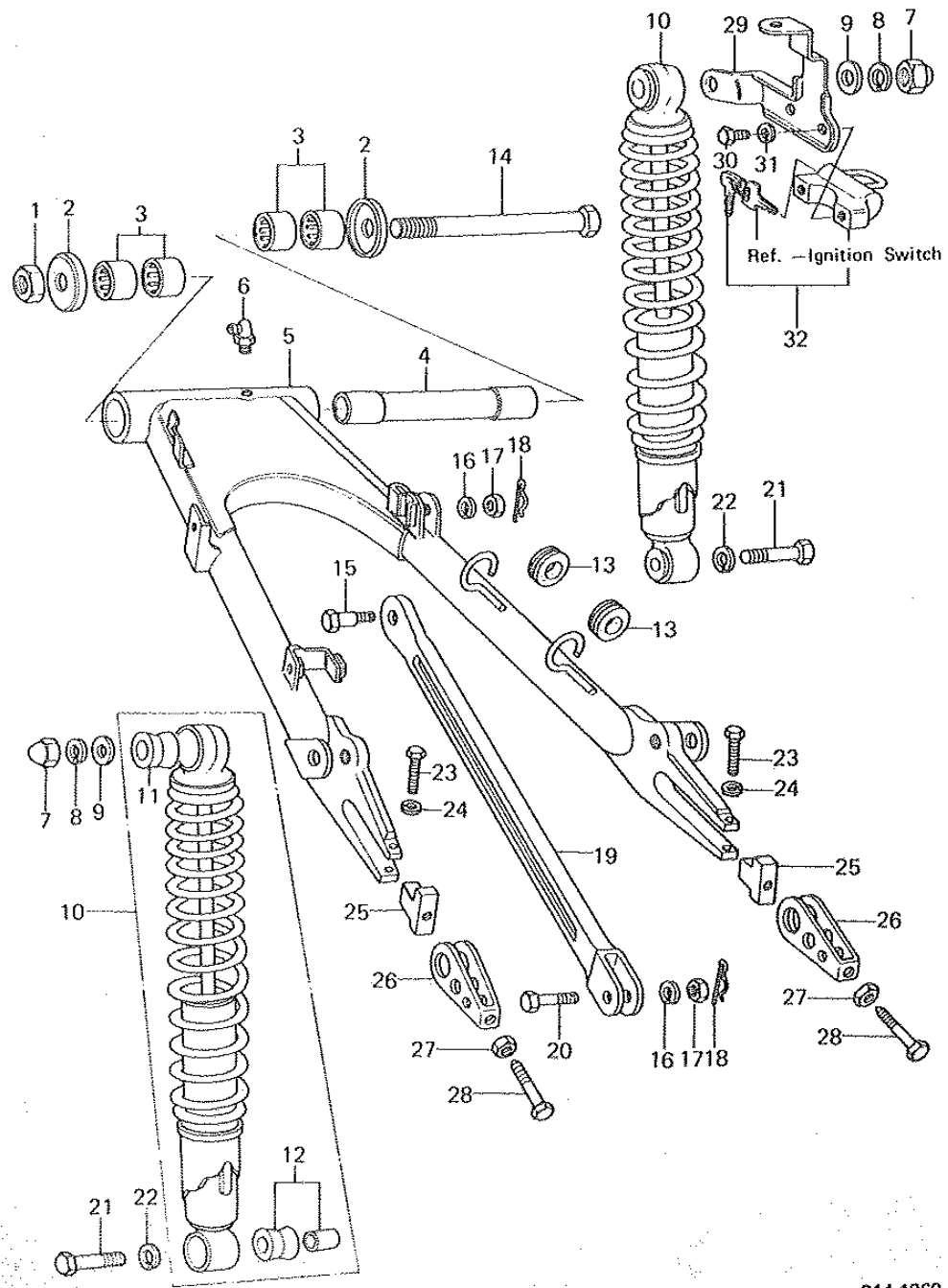
Rev. No.	Date
----------	------



Ref. No.	Part No.	Part Name	Quantity	Remarks
1	110B0620	BOLT, hex head, 6 x 20	2	
2	461F0600	WASHER, spring, 6 m/m	10	
3	92022-237	WASHER, plain	2	
4	92075-149	DAMPER RUBBER	2	
5	92027-165	COLLAR	2	
6	11034-1133	BRACKET, base, L. H.	1	
7	110B0630	BOLT, hex head, 6 x 30	4	
8	92022-116	WASHER, plain	4	
9	32105-007	STAY, air cleaner	1	
10	92075-146	DAMPER RUBBER	4	
11	92027-156	COLLAR	4	
12	110B0612	BOLT, hex head, 6 x 12	2	
13	410B0600	WASHER, plain, 6 m/m	2	
14	32100-100	BAND, battery	1	
15	32097-1007	CASE, battery	1	
16	13169-1077	PLATE, battery case	1	
17	110B0616	BOLT, hex head, 6 x 16	2	
18	32098-1001	CASE, tool	1	
19	92075-078	DAMPER RUBBER, battery	10	

21. Swing Arm, Rear Shock Absorber

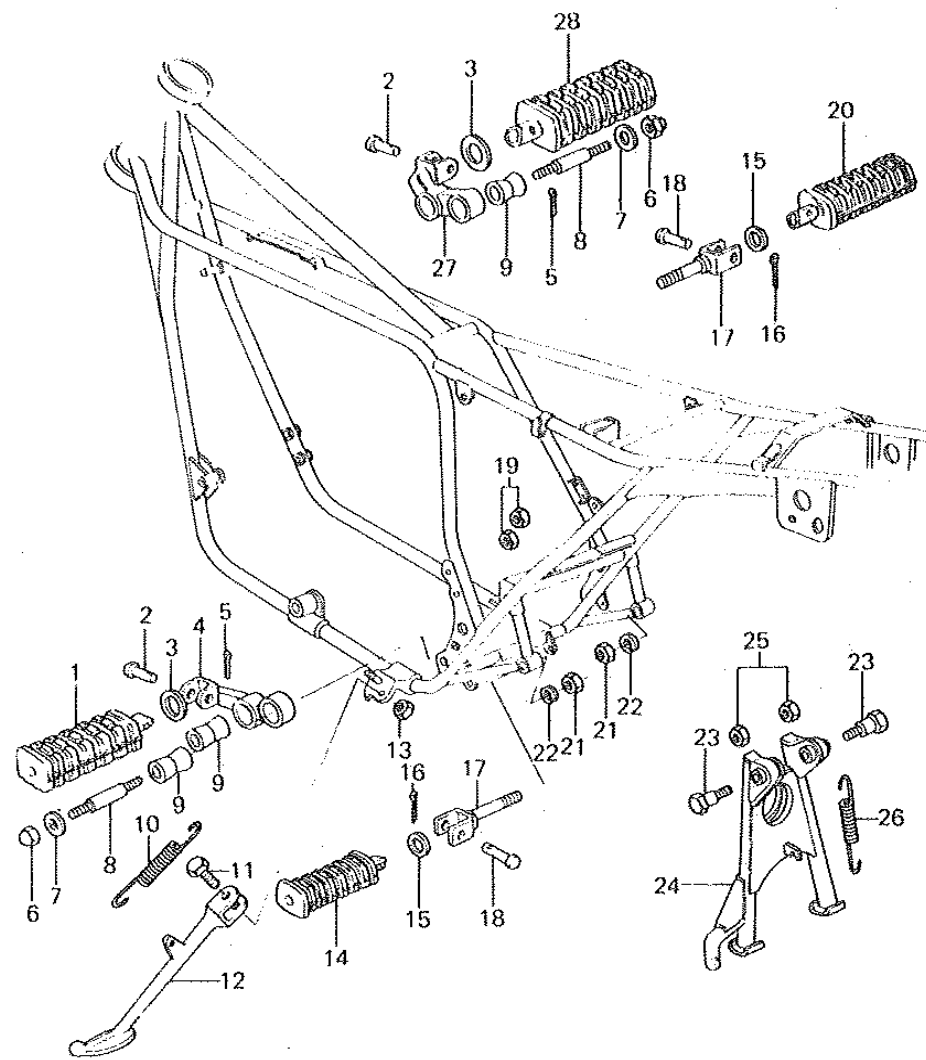
Rev. No.		Date	
----------	--	------	--



Ref. No.	Part No.	Part Name	Quantity	Remarks
1	92019-012	NUT, lock, 16 m/m	1	
2	33035-009	CAP, swing arm	2	
3	92046-061	BEARING NEEDLE, 22BTM2816	4	
4	42036-1011	SLEEVE, swing arm	1	
5	33001-1014	SWING ARM (Includes Ref. No's Marked*)	1	
6	92005-002	GREASE NIPPLE	1	
7	92020-014	NUT, shock absorber fitting	2	
8	461F1200	WASHER, spring, 12 m/m	2	
9	410B1200	WASHER, plain, 12 m/m	2	
10	45014-1020	SHOCK ABSORBER, rear	2	
11	45017-020	BUSHING, shock absorber rubber	2	
12	45017-019	BUSHING, shock absorber	2	
13	43064-007	DAMPER RUBBER, brake hose	2	
14	33032-036	SHAFT, swing arm pivot	1	
15	92003-218	BOLT, hex head	1	
16	461F1000	WASHER, spring, 10 m/m	2	
17	314B1000	NUT, 10 m/m	2	
18	92041-005	COTTER PIN	2	
19	43007-049	TORQUE LINK, rear brake	1	
20	92003-219	BOLT, hex head, 10 x 47	1	
21	113N1035	BOLT, hex head, 10 x 35	2	
22	461F1000	WASHER, spring, 10 m/m	2	
23*	110G0840	BOLT, hex head, 8 x 40	2	
24*	461F0800	WASHER, spring, 8 m/m	2	
25*	33044-001	STOPPER, chain adjuster	2	
26	33040-066	ADJUSTER, chain	2	
27	315B1000	NUT, 10 m/m	2	
28	92001-143	BOLT, chain adjuster	2	
29	11034-1134	BRACKET, helmet lock	1	
30	110B0515A	BOLT, hex head, 5 x 15	2	
31	461F0500	WASHER, spring, 5 m/m	2	
32	27016-5007	LOCK ASSY, helmet	1	

22-1. Footrests, Stands

Rev. No.	Date
----------	------

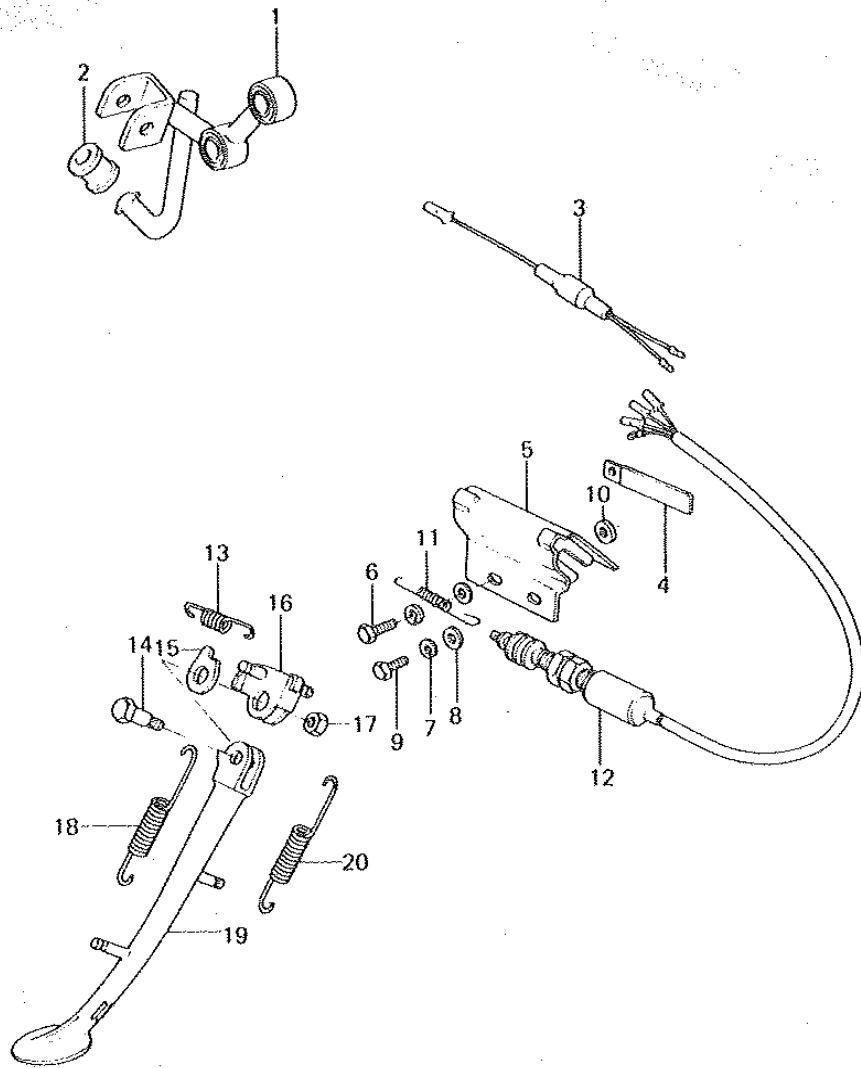


Ref. No.	Part No.	Part Name	Quantity					Remarks
			SWEDEN	FRANCE	W. GERMANY	ITALY	GENERAL	
1	34028 1007	STEP, front footrest, L. H.	1	1	1	1	1	
2	92043 080	PIN, footrest fitting	2	2	2	2	2	
3	92022 250	WASHER, plain	2	2	2	2	2	
*4	34003 036	BRACKET, L. H. footrest step	1	1	1	1	1	
5	550D2516	PIN, cotter, 2.5 x 16	2	2	2	2	2	
6	92019 013	NUT, lock, 8 m/m	4	4	4	4	4	
7	92102 010	CAP, footrest step	4	4	4	4	4	
8	92004 048	STUD, footrest step fitting	4	4	4	4	4	
9	92075 140	DAMPER RUBBER, footrest step	4	4	4	4	4	
*10	34025 005	SPRING, side stand	1	1	1	1	1	
*11	92003 079	BOLT, side stand fitting	1	1	1	1	1	
*12	34024 1015	STAND, side	1	1	1	1	1	
*13	315B1000	NUT, 10 m/m	1	1	1	1	1	
14	34028-1009	STEP, rear footrest, L. H.	1	1	1	1	1	
15	92022-181	WASHER, plain	2	2	2	2	2	
16	550D2012	PIN, cotter, 2.0 x 12	2	2	2	2	2	
17	34029-014	BRACKET, rear footrest	2	2	2	2	2	
18	92043-079	PIN, footrest fitting	2	2	2	2	2	
19	315B1000	NUT, 10 m/m	4	4	4	4	4	
20	34028-1010	STEP, rear footrest, R. H.	1	1	1	1	1	
21	314B1000	NUT, 10 m/m	2	2	2	2	2	
22	461F1000	WASHER, spring, 10 m/m	2	2	2	2	2	
23	34019-014	SHAFT, main stand	2	2	2	2	2	
24	34011-1004	STAND, main	1	1	1	1	1	
	34011-1006	STAND, main		1			1	
25	92016-044	NUT, 12 m/m	2	2	2	2	2	
26	34023-012	SPRING, main stand, 126 m/m	1	1	1	1	1	
	34023-020	SPRING, main stand, 166 m/m		2			2	
27	34003-037	BRACKET, R. H. footrest step	1	1	1	1	1	
28	34028 1008	STEP, front footrest, R. H.	1	1	1	1	1	

*Ref. No. 4, 10~13 are not required for W.GERMANY & SWEDEN market. Please see on next page.

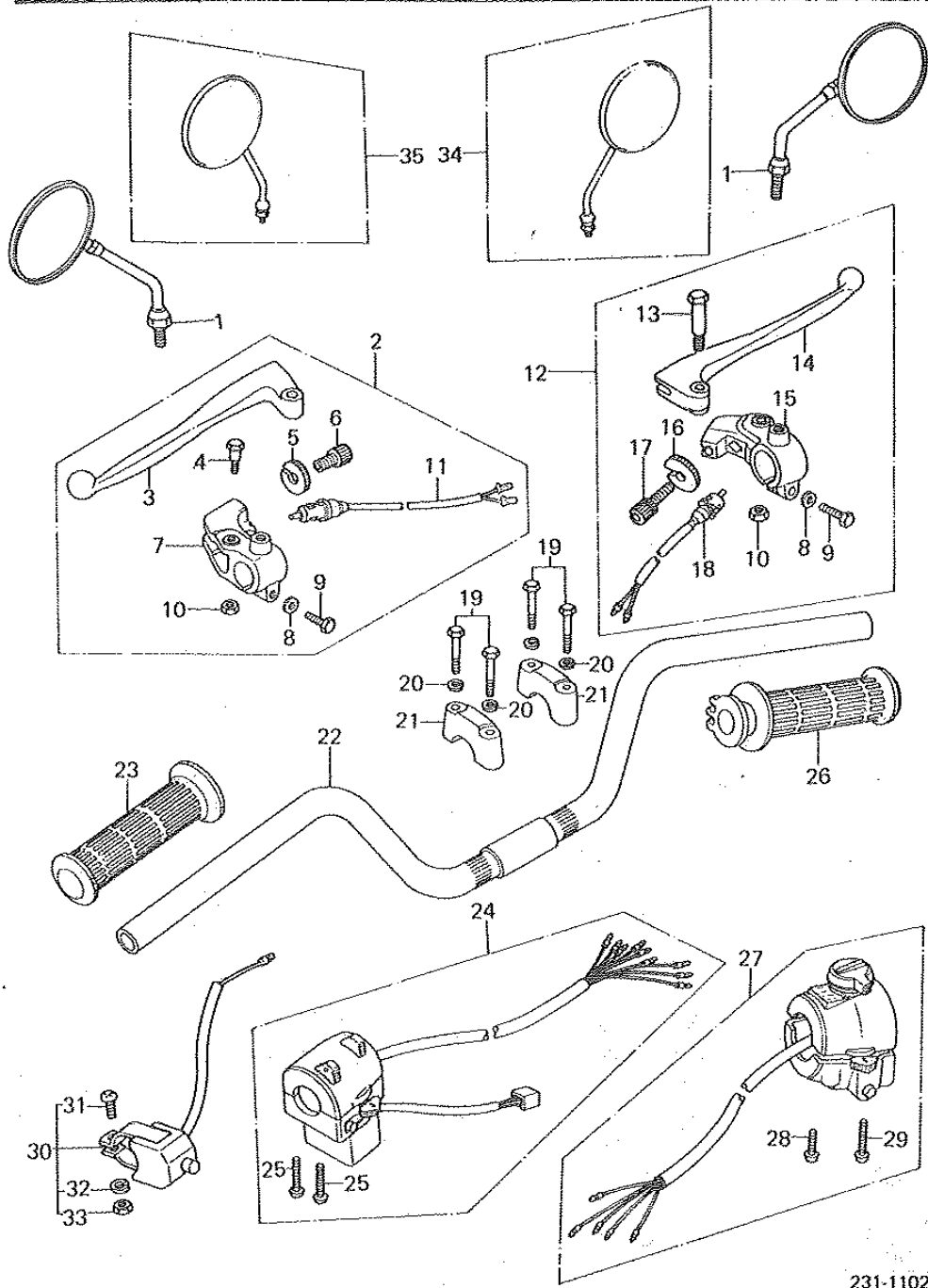
22-2. Side Stands Equipments (W.GERMANY TYPE)

Rev. No.		Date	
----------	--	------	--



Ref. No.	Part No.	Part Name	Quantity	Remarks
1	34003-1003	BRACKET, L. H. footrest bar	1	
2	92075 293	DAMPER RUBBER	1	
3	49018-1001	DIODE	1	
4	92037-113	CLAMP	1	
5	43016-1002	DUST COVER	1	
6	110B0616	BOLT, hex head, 6 x 16	1	
7	461F0600	WASHER, spring, 6 m/m	2	
8	411B0600	WASHER, plain, 6 m/m	2	
9	110B0614	BOLT, hex head, 6 x 14	1	
10	92022-283	WASHER, plain	1	
11	27011-020	SPRING, side stand switch	1	
12	27010-1005	SWITCH, side stand	1	
13	34025-011	SPRING	1	
14	92001-1011	BOLT, side stand fitting	1	
15	92022-1007	WASHER, side stand	1	
16	32085-1015	STOPPER, side stand	1	
17	315B1200A	NUT, 12 m/m	1	
18	92081-1012	SPRING, side stand	1	
19	34024-1014	STAND, side	1	
20	34025-010	SPRING, side stand	1	

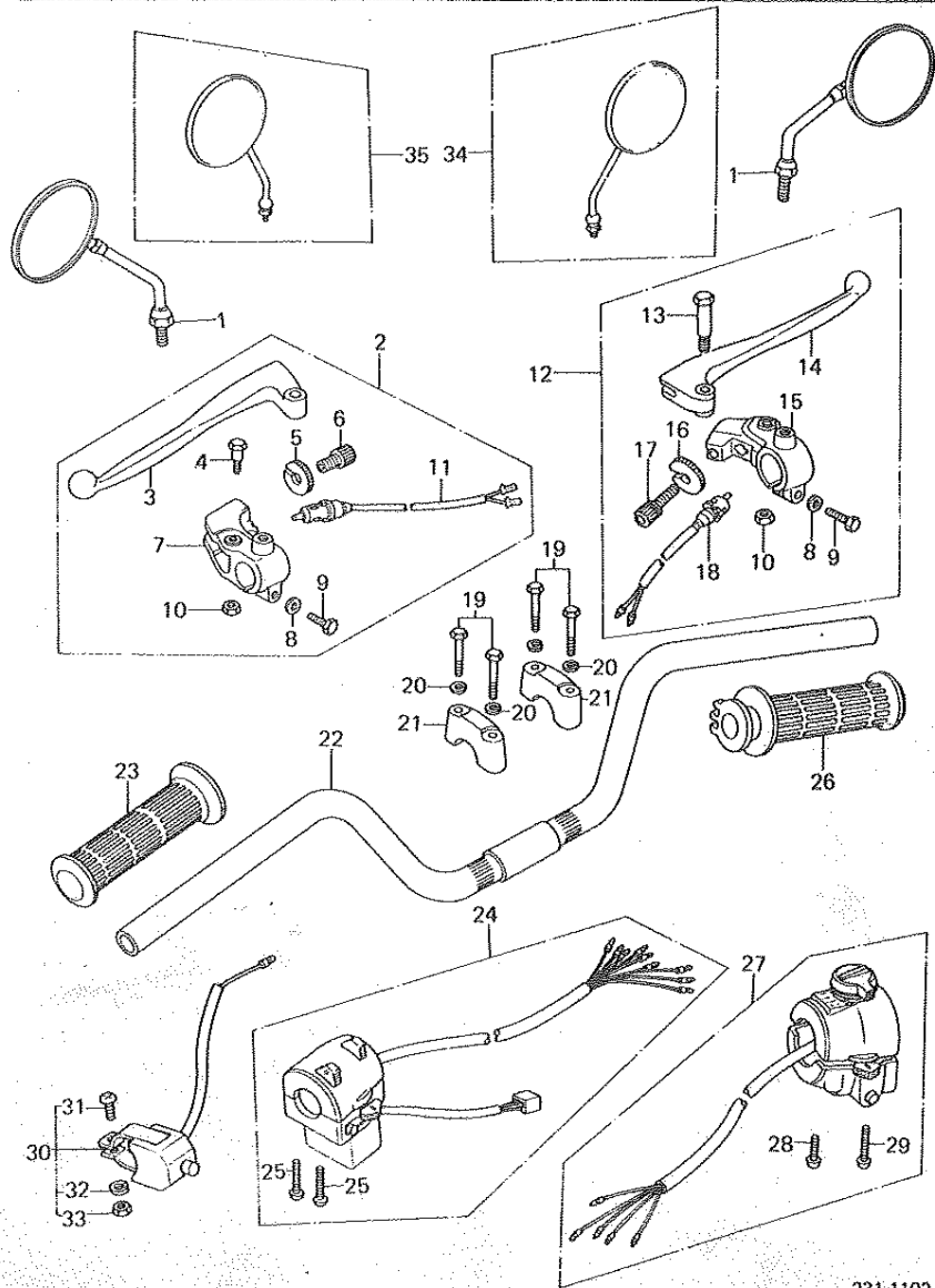
23. Handlebar, Grips (1/2)



Ref. No.	Part No.	Part Name	Quantity					Remarks
			ENGLAND	FRANCE	W. GERMANY	ITALY	GENERAL SWEDEN	
1	56001-1011	REAR VIEW MIRROR ASSY				2	2	
2	46076-054	LEVER ASSY, clutch	1	1		1	1	
	46076-049	LEVER ASSY, clutch			1		1	
3	46092-022	LEVER, clutch	1	1	1	1	1	
4	92007-047	BOLT, hex head, 6 m/m	1	1	1	1	1	
5	46056-007	NUT, cable adjust lock	1	1	1	1	1	
6	46055-003	SCREW, cable adjust	1	1	1	1	1	
7	46094-019	HOLDER, clutch lever	1	1		1	1	
	46094-017	HOLDER, clutch lever			1		1	
8	41080600	WASHER, plain, 6 m/m	2	2	2	2	2	
9	110N0825	BOLT, hex head, 6 x 25	2	2	2	2	2	
10	92019-008	NUT, lock, 6 m/m	2	2	2	2	2	
11	27043-002	SWITCH, clutch	1	1		1	1	
12	46076-1002	LEVER ASSY, front brake	1	1	1	1	1	
13	92001-1075	BOLT, lever fitting	1	1	1	1	1	6 x 44
14	46092-1003	LEVER, front brake	1	1	1	1	1	
15	13091-1010	HOLDER, front brake lever	1	1	1	1	1	
16	46056-005	NUT, cable adjust	1	1	1	1	1	
17	92009-1023	SCREW, cable adjust	1	1	1	1	1	
18	27021-004	SWITCH, front brake	1	1	1	1	1	
19	92007-002	BOLT, handlebar fitting	4	4	4	4	4	
20	461F0800	WASHER, spring, 8 m/m	4	4	4	4	4	
21	46012-008	HOLDER, handlebar	2	2	2	2	2	
22	46003-1015	HANDLEBAR	1	1	1	1	1	
23	46075-1001	RUBBLER, L. H. grip	1	1	1	1	1	
24	46091-1036	HOUSING ASSY, L. H.	1	1		1	1	
	46091-1037	HOUSING ASSY, L. H.			1		1	
25	220B0525A	SCREW, pan head, 5 x 25	2	2	2	2	2	

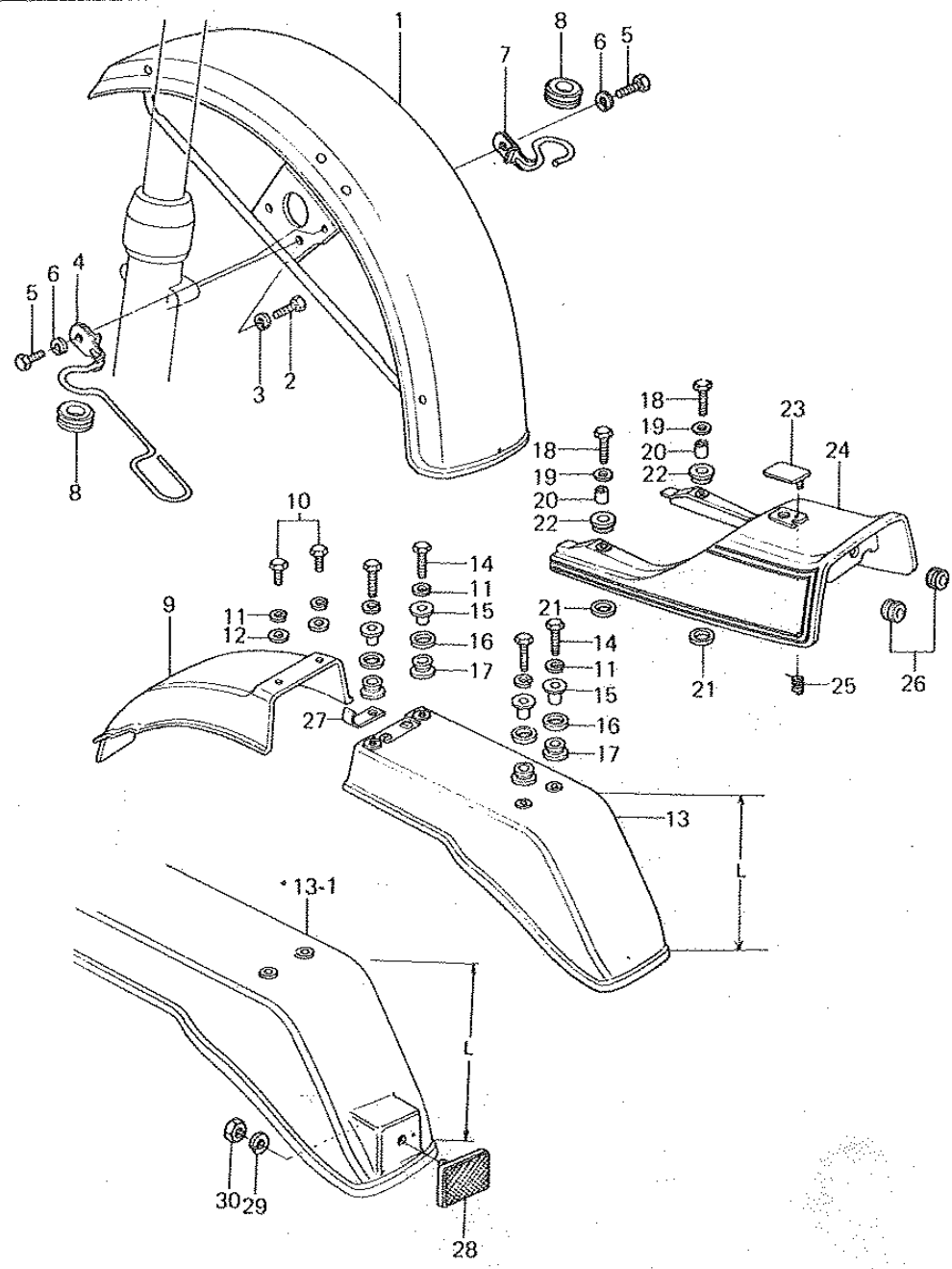
23. Handlebar, Grips (2/2)

Rev. No.	Date
----------	------



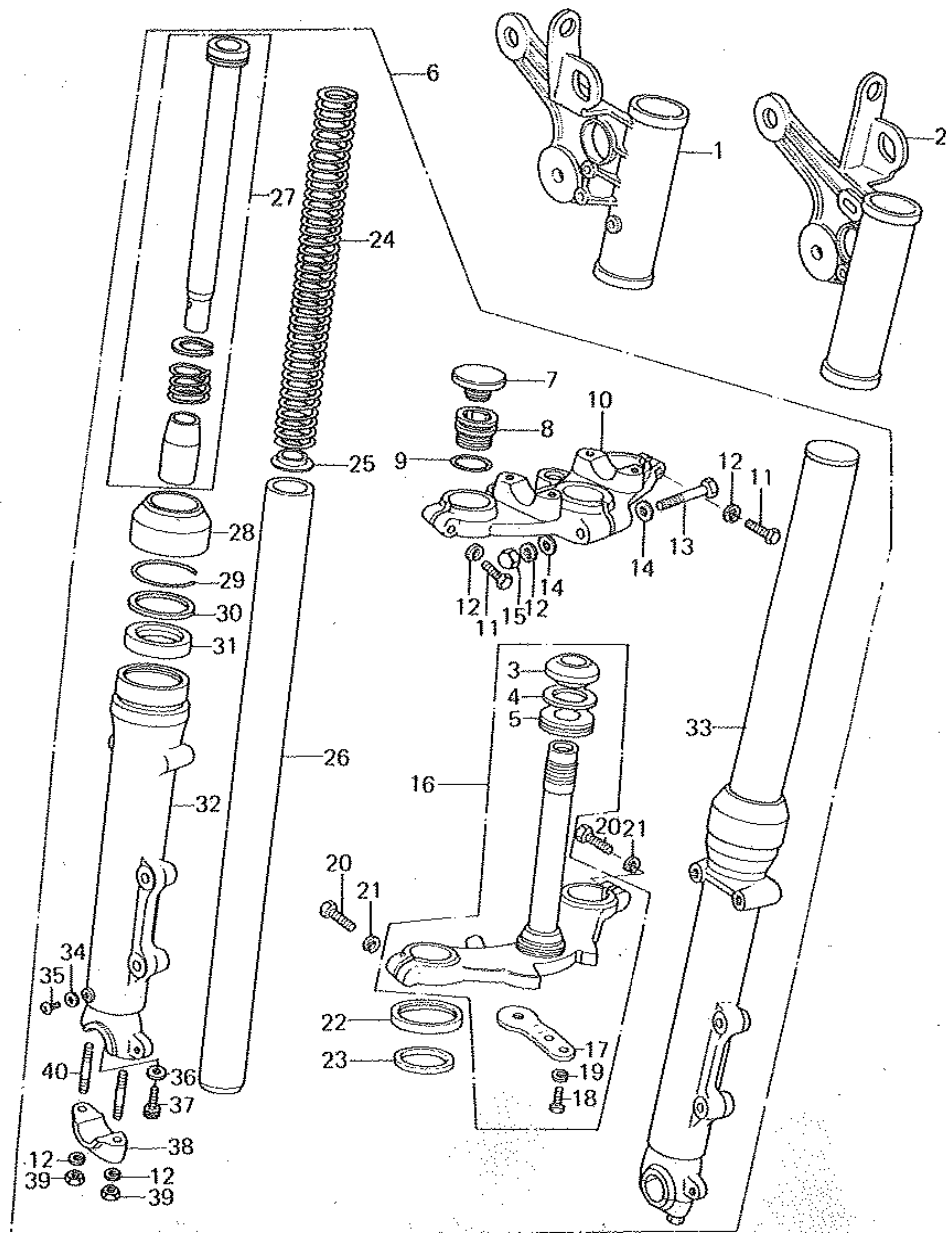
Ref. No.	Part No.	Part Name	Quantity					Remarks	
			ENGLAND	FRANCE	W. GERMANY	ITALY	GENERAL SWEDEN		
26	46019-1004	GRIP ASSY, throttle	1	1	1	1	1	1	
27	46091-1035	HOUSING ASSY, R. H.	1	1	1	1	1	1	
28	220B0530A	SCREW, pan head, 5 x 30	1	1	1	1	1	1	
29	220B0540A	SCREW, pan head, 5 x 40	1	1	1	1	1	1	
30	27004-1002	SWITCH ASSY, side stand			1	1	1		
31	220E0314A	SCREW, pan head, 3 x 14			1	1	1		
32	461F0300	WASHER, spring, 3 m/m			1	1	1		
33	310B0300A	NUT, 3 m/m			1	1	1		
34	56002-022	REAR VIEW MIRROR ASSY, R. H.	1	1	1	1	1		
35	56003-014	REAR VIEW MIRROR ASSY, L. H.	1	1	1	1	1		

24. Fenders



Ref. No.	Part No.	Part Name	Quantity					Remarks	
			ENGLAND	FRANCE	W. GERMANY	ITALY	GENERAL SWEDEN		
* 1	35001-1007-7W	FENDER, front, Metallic Stardust Silver	1	1		1	1	1	
	35001-1011-7W	FENDER, front, Metallic Stardust Silver			1				
2	11080816	BOLT, hex head, 8 x 16	4	4	4	4	4	4	
3	461F0800	WASHER, spring, 8 m/m	4	4	4	4	4	4	
4	92037-1053	CLAMP, L. H.	1	1	1	1	1	1	
5	11080612	BOLT, hex head, 6 x 12	2	2	2	2	2	2	
6	461F0600	WASHER, spring, 6 m/m	2	2	2	2	2	2	
7	92037-1054	CLAMP, R. H.	1	1	1	1	1	1	
8	43064-006	DAMPER RUBBER	2	2	2	2	2	2	
9	35022-154	FENDER, rear	1	1	1	1	1	1	Front
10	11080614	BOLT, hex head, 6 x 14	2	2	2	2	2	2	
11	461F0600	WASHER, spring, 6 m/m	6	6	6	6	6	6	
12	92022-024	WASHER, plain	2	2	2	2	2	2	
13	35022-1012	FENDER, rear, L = 190 m/m					1		Rear
*13-1	35022-1016	FENDER, rear, L = 324.5 m/m	1	1	1		1	1	Rear
14	11080630	BOLT, hex head, 6 x 30	4	4	4	4	4	4	
15	92027-251	COLLAR	4	4	4	4	4	4	
16	92075-175	DAMPER RUBBER	4	4	4	4	4	4	
17	92075-174	DAMPER RUBBER	4	4	4	4	4	4	
18	11080625	BOLT, hex head, 6 x 25	2	2	2	2	2	2	
19	92022-228	WASHER, plain	2	2	2	2	2	2	
20	92027-241	COLLAR	2	2	2	2	2	2	
21	92075-175	DAMPER RUBBER	2	2	2	2	2	2	
22	92075-174	DAMPER RUBBER	2	2	2	2	2	2	
23	14025-1025	COVER, seat lock	1	1	1	1	1	1	
24	14025-1018-7W	COVER, seat, Metallic Stardust Silver	1	1	1	1	1	1	
25	92081-1049	SPRING	1	1	1	1	1	1	
26	92075-013	DAMPER RUBBER	2	2	2	2	2	2	
		WHN EXH USE 92075-1057							
27	21126-007	CLAMP	1	1	1	1	1	1	
28	28012-1002	REFLECTOR, reflex	1	1	1		1	1	
29	461F0600	WASHER, spring, 6 m/m	1	1	1		1	1	
30	31180600	NUT, 6 m/m	1	1	1			1	

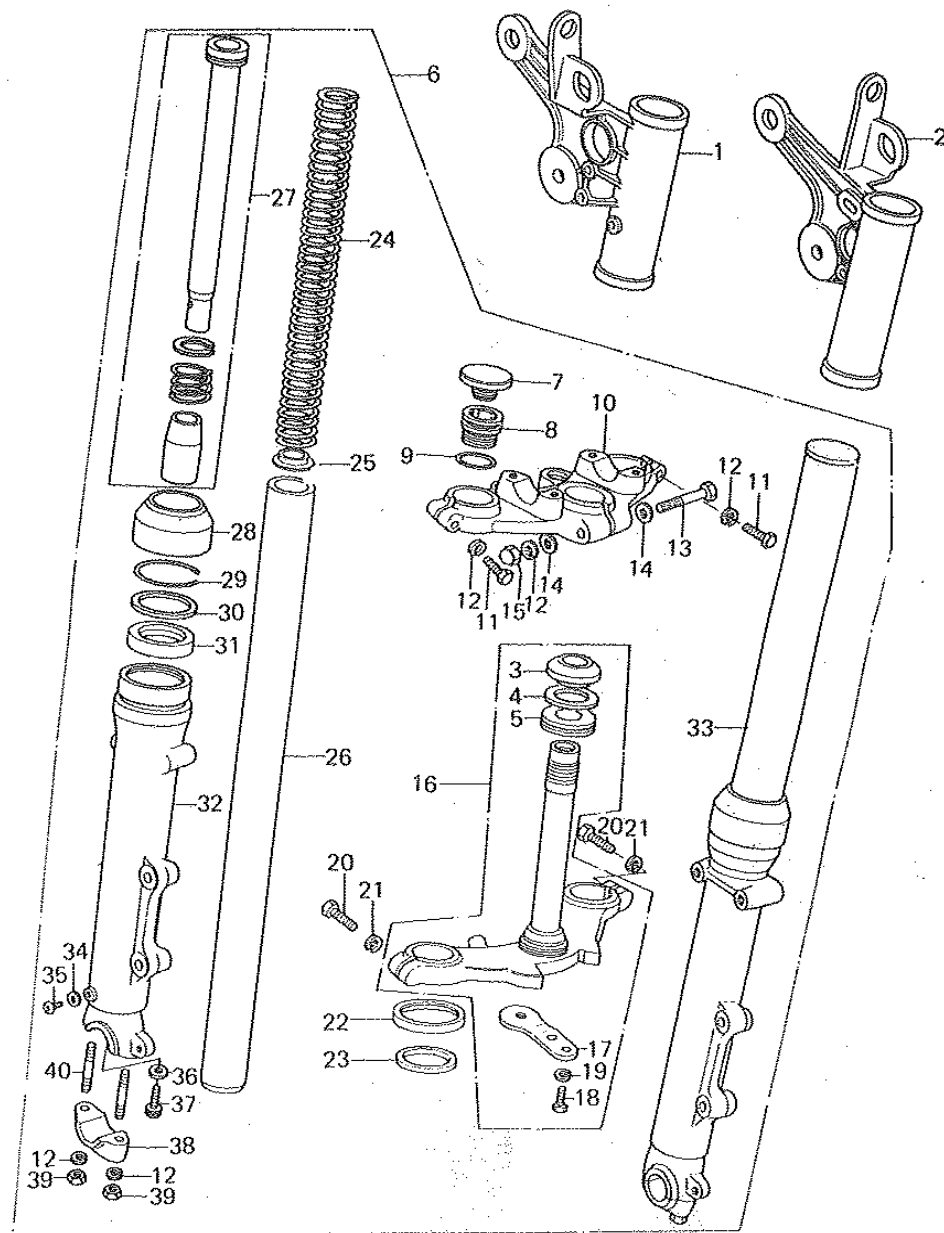
25. Front Fork (1/2)



Ref. No.	Part No.	Part Name	Quantity					Remarks
			ENGLAND	FRANCE	W. GERMANY	ITALY	GENERAL SWEDEN	
1	44033-1011	COVER, L. H. fork	1	1	1	1	1	F. Black
2	44033-1012	COVER, R. H. fork	1	1	1	1	1	F. Black
3	92047-012	CONE, steering stem	1	1	1	1	1	
4	92022-231	WASHER, plain	1	1	1	1	1	
5	92056-003	OIL SEAL	1	1	1	1	1	
6	44001-1024	FRONT FORK ASSY	1	1			1	
	44001-1036	FRONT FORK ASSY			1		1	
7	11012-1017	CAP, rubber, fork top	2	2	2	2	2	
8	44029-1003	BOLT, fork top	2	2	2	2	2	
9	92055-1009	"O" RING, fork top	2	2	2	2	2	
10	44039-1005	HEAD, steering stem	1	1	1	1	1	
11	92001-1082	BOLT, 8 x 40	2	2	2	2	2	
12	461F0800	WASHER, spring, 8 m/m	7	7	7	7	7	
13	44041-042	BOLT, hex head, 8 x 58	1	1	1	1	1	
14	410B0800	WASHER, plain, 8 m/m	2	2	2	2	2	
15	92020-007	NUT, cap, 8 m/m	1	1	1	1	1	
16	44037-1008	STEM, steering	1	1			1	
	44037-1010	STEM, steering			1		1	
17	11034-1126	BRACKET	2	2	2	2	2	
18	92001-1083	BOLT, hex head, 6 x 14	4	4	4	4	4	
19	461F0600	WASHER, spring, 6 m/m	4	4	4	4	4	
*20	92003-064	BOLT, hex head, 12 x 36	2	2	2	2	2	
	92001-1144	BOLT, hex head, 12 x 40	2	2	2	2	2	
21	461F1200	WASHER, spring, 12 m/m	2	2	2	2	2	
22	44043-049	GUIDE, fork cover	2	2	2	2	2	
23	44045-038	GASKET, fork cover	2	2	2	2	2	
24	44026-1003	SPRING, fork	2	2	2	2	2	
25	44028-1001	GUIDE, fork spring	2	2	2	2	2	
26	44013-1003	TUBE, fork inner	2	2	2	2	2	
27	44022-1002	CYLINDER, fork	2	2	2	2	2	
28	44010-032	DUST SHIELD, fork	2	2	2	2	2	
29	44044-012	CIRCLIP	2	2	2	2	2	
30	44043-044	WASHER, plain	2	2	2	2	2	

25. Front Fork (2/2)

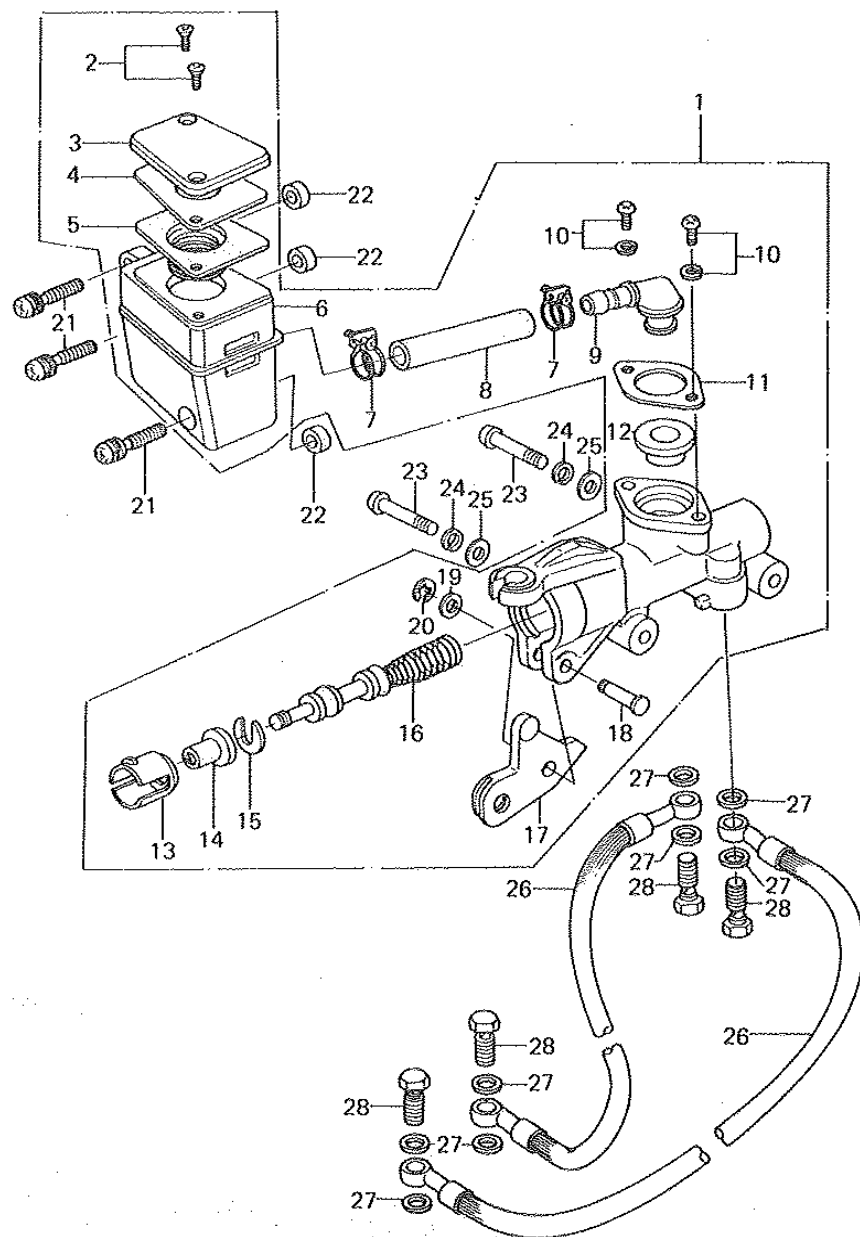
Rev. No.	Date
----------	------



Ref. No.	Part No.	Part Name	Quantity					Remarks	
			ENGLAND	FRANCE	W. GERMANY	ITALY	GENERAL SWEDEN		
31	44009-024	OIL SEAL	2	2	2	2	2	2	
32	44005-1013	TUBE, L. H. fork outer	1	1	1	1	1	1	
33	44006-1013	TUBE, R. H. fork outer	1	1	1	1	1	1	
34	44045-002	GASKET, fork drain	2	2	2	2	2	2	
35	220B0408A	SCREW, pan head, 4 x 8	2	2	2	2	2	2	
36	44045-057	GASKET, fork cylinder bolt	2	2	2	2	2	2	
37	44041-040	BOLT, fork cylinder	2	2	2	2	2	2	
38	44063-014	HOLDER, front axle	2	2	2	2	2	2	
39	92017-013	NUT, lock, 8 m/m	4	4	4	4	4	4	
40	92004-1009	STUD, 8 x 35	4	4	4	4	4	4	

26. Front Master Cylinder

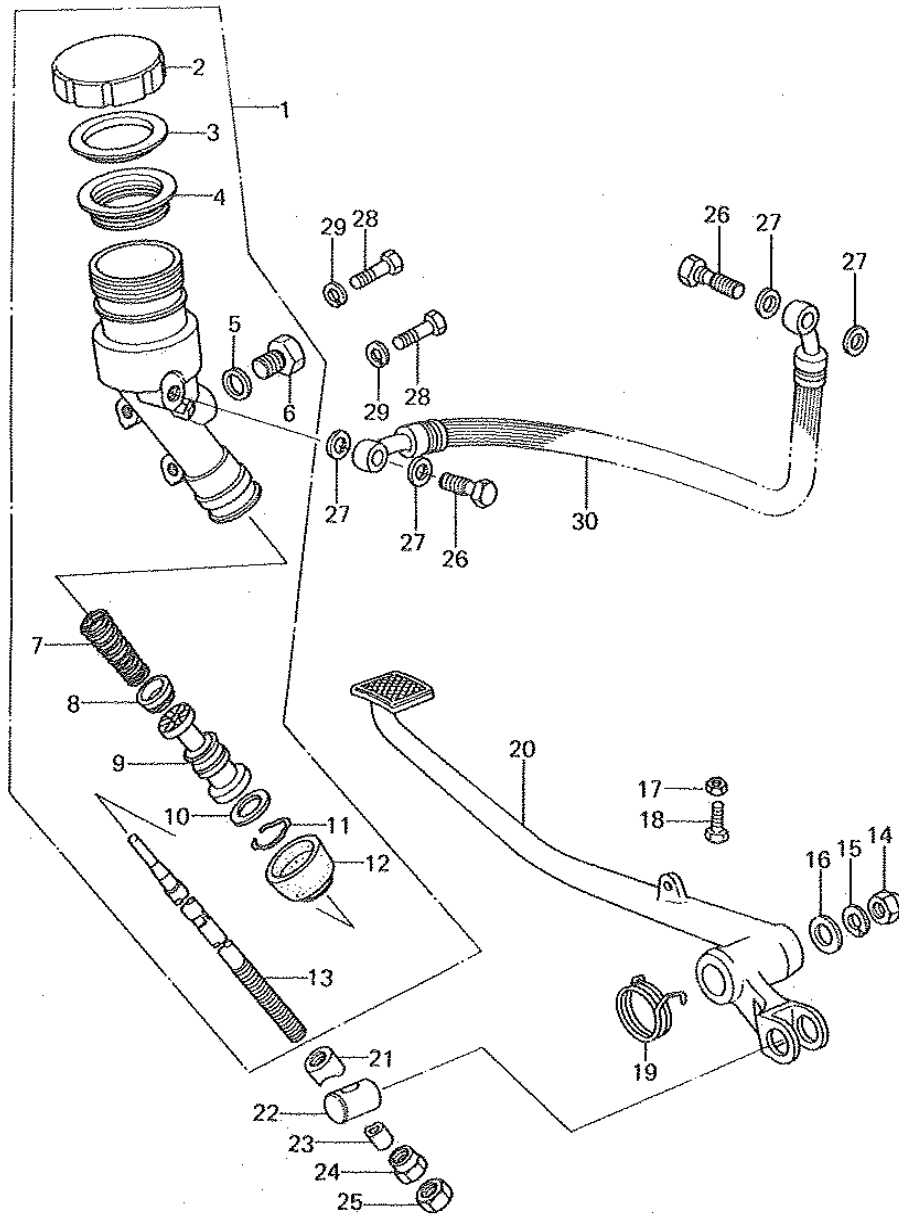
Rev. No.		Date	
----------	--	------	--



Ref. No.	Part No.	Part Name	Quantity	Remarks
1	43015-1012	CYLINDER ASSY, master	1	
2	92001-1055	SCREW, countersunk head	2	
3	43026-1004	CAP, oil cup	1	
4	43027-1003	PLATE, diaphragm	1	
5	43028-1003	DIAPHRAGM	1	
6	43078-1005	RESERVOIR	1	
7	92033-1007	CLIP, hose	2	
8	43059-1009	HOSE, brake	1	
9	13159-1003	CONNECTOR	1	
10	92001-1081	BOLT	2	
11	13169-1081	PLATE	1	
12	43049-1005	PACKING	1	
13	14008-1007	LINER, piston	1	
14	49016-1010	DUST COVER	1	
15	43022-1001	STOPPER, piston	1	
16	43020-1008	PISTON ASSY	1	
17	43001-1016	LEVER, brake	1	
18	92043-1017	PIN, brake lever	1	
19	92022-1042	WASHER, plain	1	
20	92033-1006	CLIP	1	
21	92009-1031	SCREW, pan head, 6 x 28	3	
22	92075-1038	DAMPER RUBBER	3	
23	22080645	SCREW, pan head, 6 x 45	2	
24	461F0600	WASHER, spring, 6 m/m	2	
25	411B0600	WASHER, plain, 6 m/m	2	
26	43059-033	HOSE, brake	2	
27	43067-001	WASHER, oil bolt	8	
28	43066-001	BOLT, oil	4	

27. Brake Pedal, Rear Master Cylinder

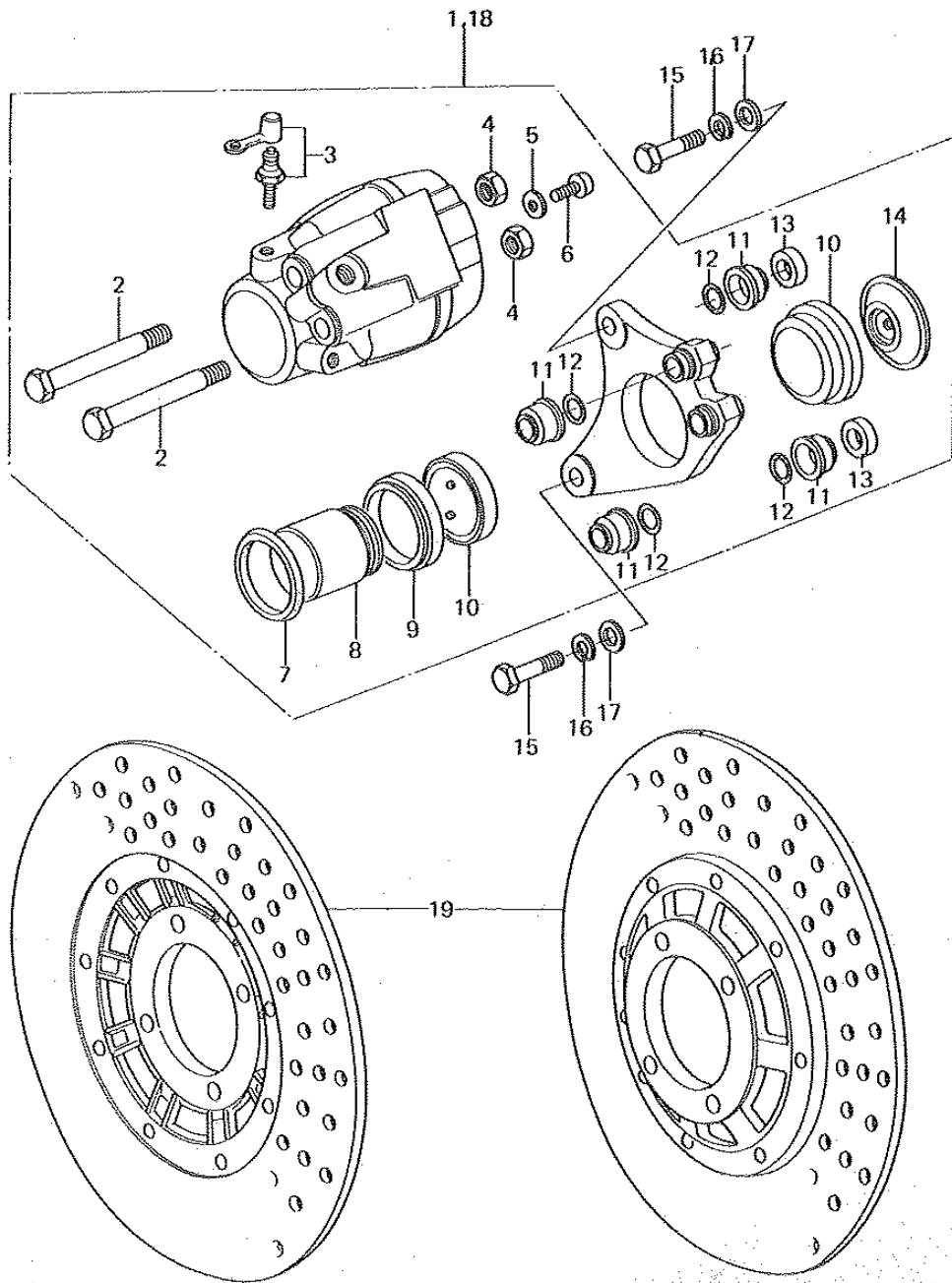
Rev. No.	Date
----------	------



Ref. No.	Part No.	Part Name	Quantity	Remarks
1	43015-1013	CYLINDER ASSY, rear master	1	
2	43026-004	CAP, oil cup	1	
3	43027-001	PLATE, diaphragm	1	
4	43028-003	DIAPHRAGM	1	
5	43079-002	"O" RING	1	
6	92001-1073	BOLT	1	
7	43018-002	SPRING ASSY, return	1	
8	43019-002	CUP, primary	1	
9	43072-004	PISTON ASSY	1	
10	43022-002	STOPPER, piston	1	
11	43058-004	RING, dust seal	1	
12	43024-003	DUST COVER	1	
13	43011-1006	ROD, brake	1	
14	92019-013	NUT, cap, 8 m/m	1	
15	461F0800	WASHER, spring, 8 m/m	1	
16	92022-195	WASHER, plain	1	
17	31180600	NUT, 6 m/m	1	
18	11080620	BOLT, hex head, 6 x 20	1	
19	92081-1046	SPRING, brake pedal return	1	
20	43001-1014	PEDAL, brake	1	
21	92027-1065	COLLAR	1	
22	92043-1016	PIN	1	
23	92027-1019	COLLAR	1	
24	92015-1027	NUT, 10 m/m	1	
25	315B1000	NUT, 10 m/m	1	
26	43066-001	BOLT, oil	2	
27	43067-001	WASHER, oil bolt	4	
28	11080835	BOLT, hex head, 8 x 35	2	
29	461F0800	WASHER, spring, 8 m/m	2	
30	43059-1006	HOSE, rear master cylinder brake	1	

28. Front Caliper

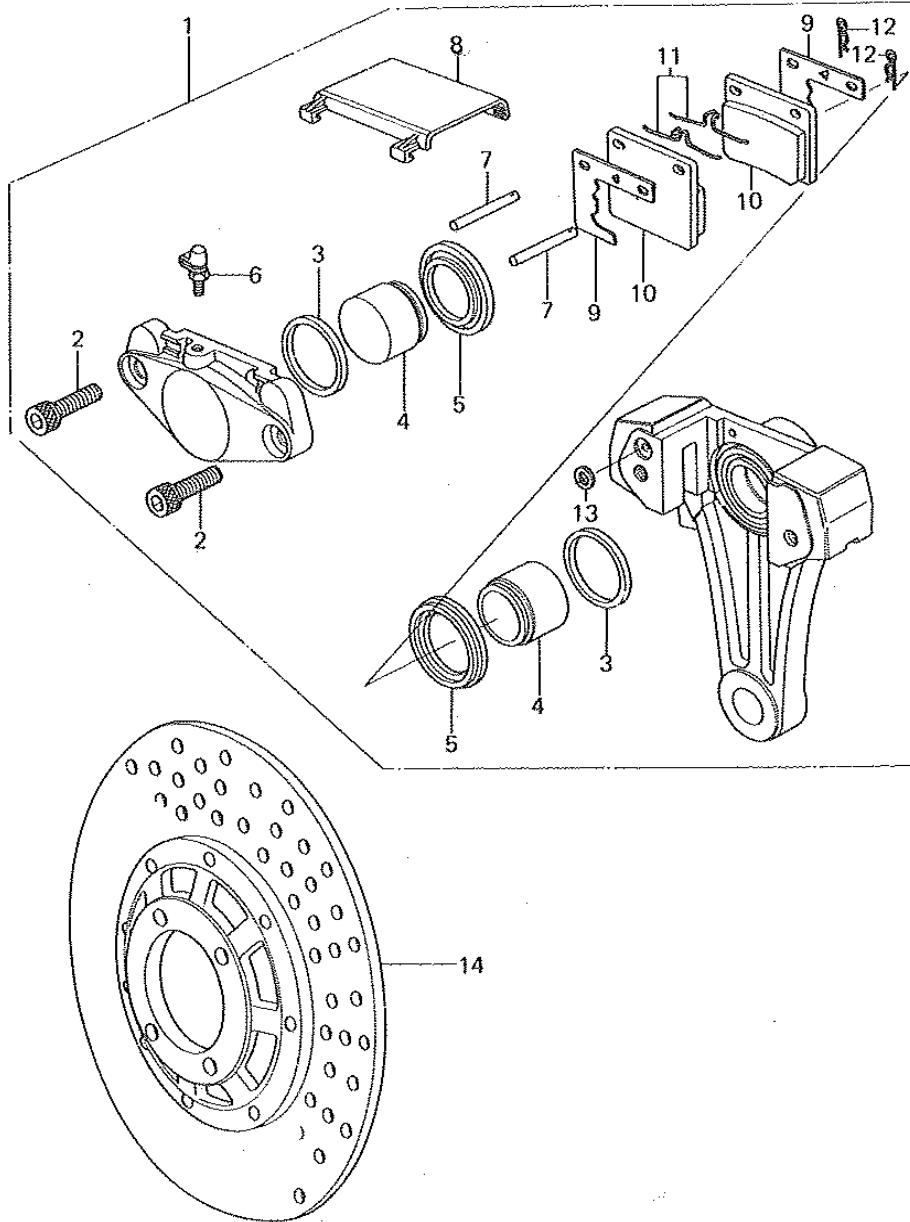
Rev. No.	Date
----------	------



Ref. No.	Part No.	Part Name	Quantity	Remarks
1	43041-1010	CALIPER ASSY, L. H.	1	
2	43045-006	BOLT	4	
3	43085-001	BREEDER ASSY	2	
4	315B1000	NUT, 10 m/m	4	
5	461F0600	WASHER, spring, 6 m/m	2	
6	220B0612	SCREW, pan head, 6 x 12	2	
7	43049-001	RING, piston seal	2	
8	43048-1002	PISTON	2	
9	43054-003	DUST SEAL, piston	2	
10	43050-5003	PAD SET	2	
11	43052-005	DUST SEAL	8	
12	43053-006	"O" RING	8	
13	43088-002	DAMPER RUBBER	4	
14	43040-004	SPACER	2	
15	92007-032	BOLT, caliper fitting	4	
16	461F1000	WASHER, spring, 10 m/m	4	
17	410B1000	WASHER, plain, 10 m/m	4	
18	43041-1011	CALIPER ASSY, R. H.	1	
19	41080-1003	DISC PLATE, front brake	2	

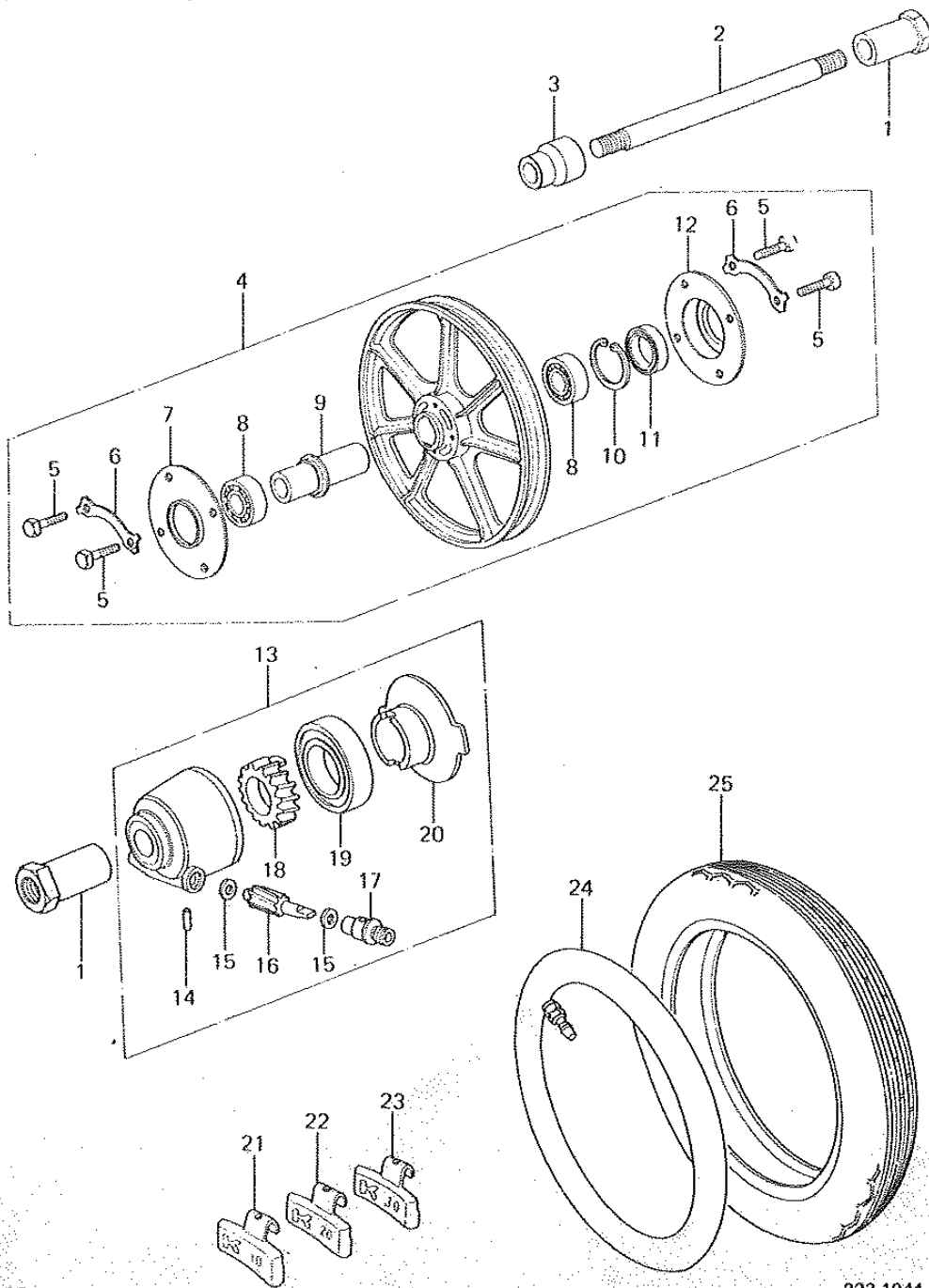
29. Rear Caliper

Rev. No.		Date	
----------	--	------	--



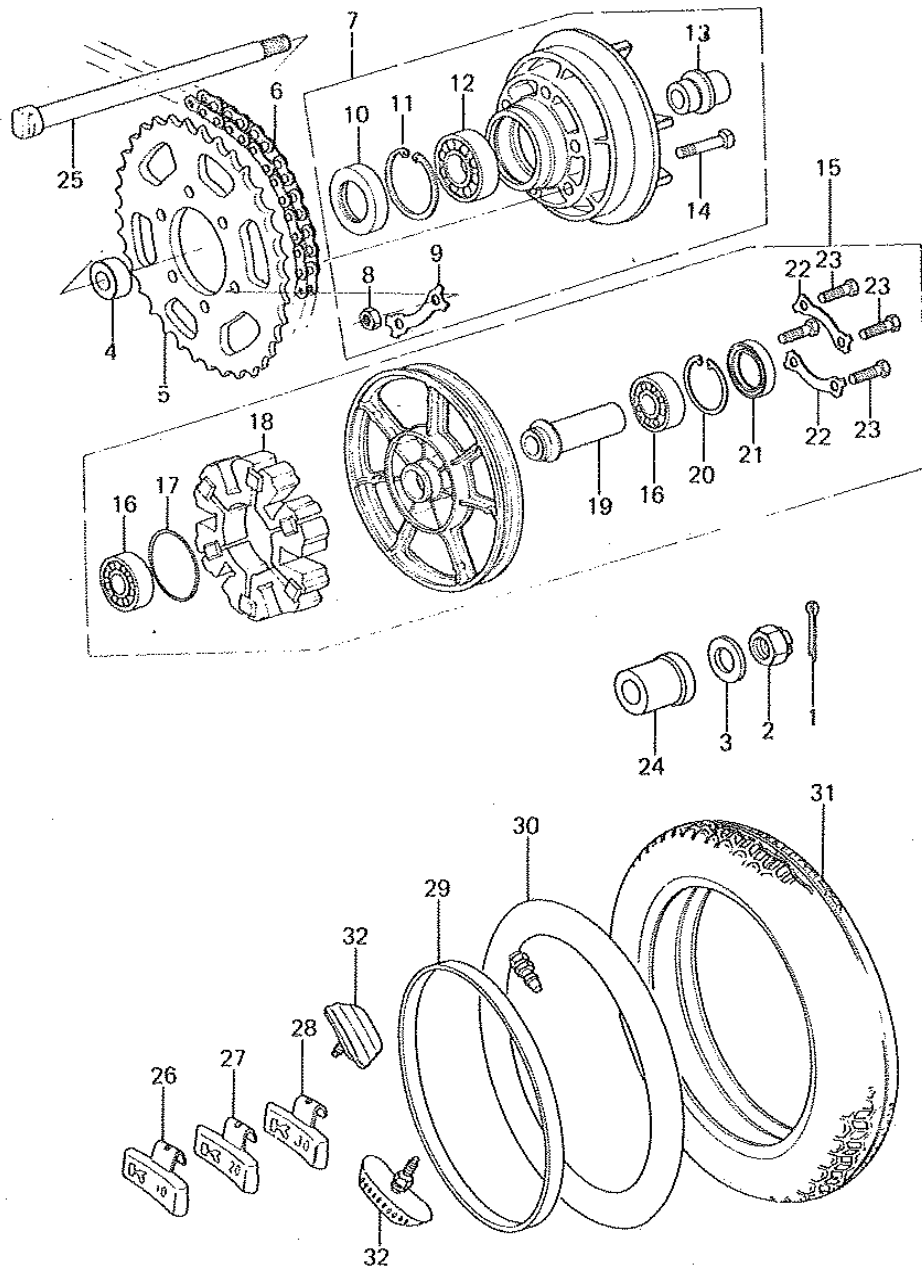
Ref. No.	Part No.	Part Name	Quantity	Remarks
1	43041 1012	CALIPER ASSY, rear	1	
2	43033 005	BOLT	2	
3	43049 002	RING, piston seal	2	
4	43048 008	PISTON	2	
5	43054 004	DUST SEAL, piston	2	
6	43085 001	BREEDER ASSY	1	
7	43045 007	PIN	2	
8	43024 004	CAP	1	
9	43076 004	SHIM	2	
10	43050 1013	PAD	2	
11	43086 002	SPRING	2	
12	43084 003	CLIP	2	
13	43053 008	RING, seal	1	
14	41080 1004	DISC PLATE, rear disc	1	

30. Front Hub, Front Wheel



Ref. No.	Part No.	Part Name	Quantity					Remarks
			ENGLAND	FRANCE	IN GERMANY	ITALY	GENERAL SWEDEN	
1	41069-033	COLLAR, front axle	2	2	2	2	2	
2	41068-049	AXLE, front	1	1	1	1	1	
3	41069-032	COLLAR, front axle	1	1	1	1	1	
*4	41073-1012	SOLID WHEEL ASSY, front	1	1		1	1	
	41073-1032	SOLID WHEEL ASSY, front			1			
5	92001-158	BOLT, hex head, 10 m/m	8	8	8	8	8	
6	92088-023	WASHER, lock	4	4	4	4	4	
7	41042-014	DUST COVER, L. H.	1	1	1	1	1	
8	601B6203	BEARING, ball, # 6203C3	2	2	2	2	2	
9	41039-028	SPACER, front hub bearing	1	1	1	1	1	
10	481J4000	CIRCLIP, 40 m/m	1	1	1	1	1	
11	654A254008	OIL SEAL	1	1	1	1	1	
12	41042-015	DUST COVER, R. H.	1	1	1	1	1	
13	41078-1004	GEAR BOX ASSY	1	1	1	1	1	
14	41082-001	SPRING PIN	1	1	1	1	1	
15	41063-001	WASHER, thrust	2	2	2	2	2	
16	41060-017	PINION, speedometer	1	1	1	1	1	
17	41062-005	BUSHING, speedometer cable	1	1	1	1	1	
18	41060-1010	GEAR, speedometer	1	1	1	1	1	
19	654A304208	OIL SEAL	1	1	1	1	1	
20	41064-013	RECEIVER, speedometer gear	1	1	1	1	1	
21	41075-1004	WEIGHT, balance, 10g	AR	AR	AR	AR	AR	
22	41075-1005	WEIGHT, balance, 20g	AR	AR	AR	AR	AR	
23	41075-1006	WEIGHT, balance, 30g	AR	AR	AR	AR	AR	
*24	41022-1004	TUBE, tire, 3.50 - 18	1	1	1	1	1	
*25	41002-1029	TIRE, front, 3.50H - 18 4PR	1	1		1	1	DUNLOP GOLD SEAL F6
		WHN EXH USE 41002-1041						
	41002-1041	TIRE, front, 350V - 18 4PR			1		1	DUNLOP GOLD SEAL F6

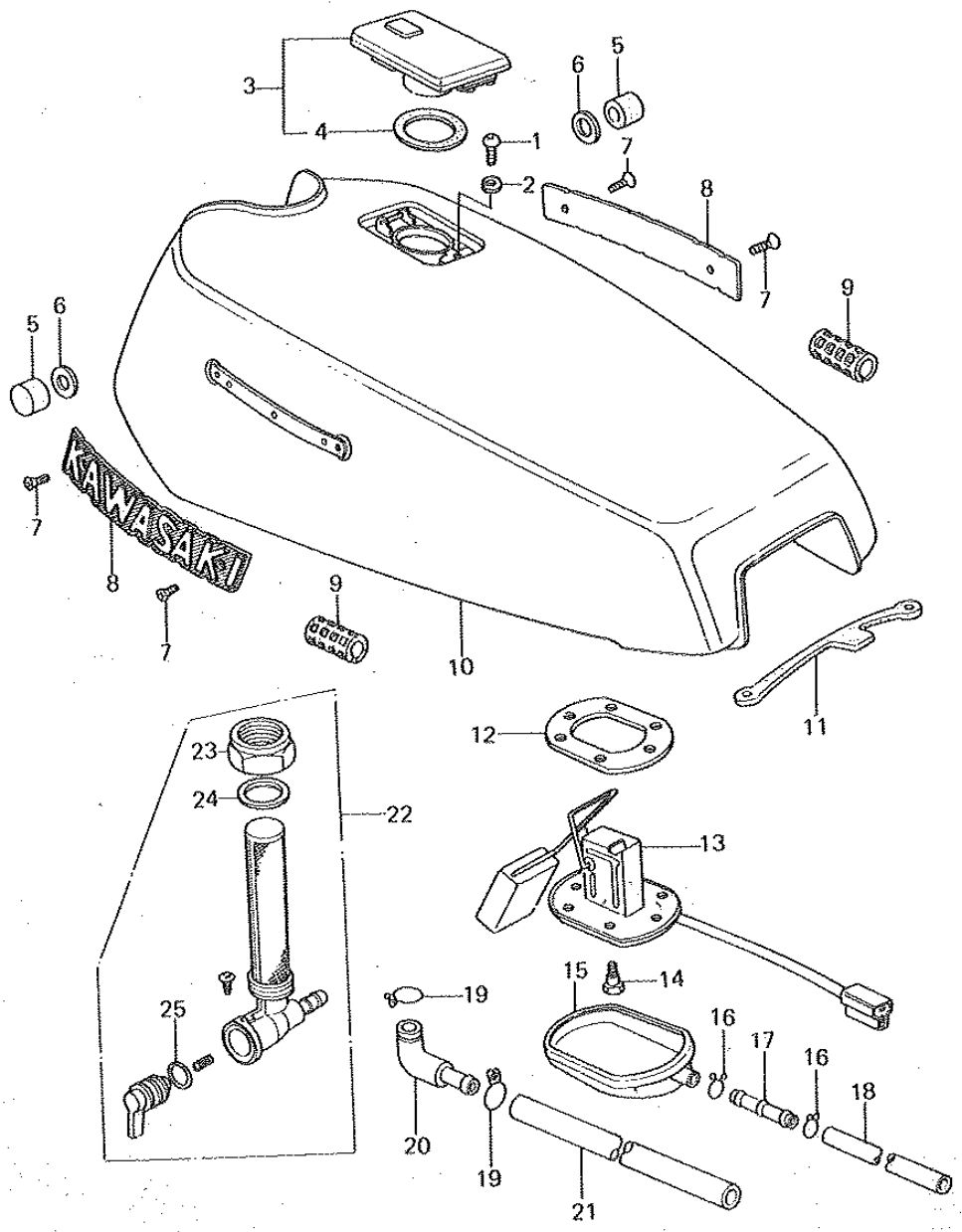
31. Rear Hub, Rear Wheel



Ref. No.	Part No.	Part Name	Quantity					Remarks	
			ENGLAND	FRANCE	W GERMANY	ITALY	SWEDEN		GENERAL
1	550D4035	PIN, cotter, 4.0 x 35	1	1	1	1	1	1	
2	42045-018	NUT, lock, 18 m/m	1	1	1	1	1	1	
3	92022-248	WASHER, plain	1	1	1	1	1	1	
4	42032-071	COLLAR, rear axle	1	1	1	1	1	1	
5	42041-1010	REAR SPROCKET, 33T	1	1	1	1	1	1	Black
6	92057-107	CHAIN ASSY, drive, 92 Links	1	1	1	1	1	1	EK630S
7	42033-1005	COUPLING ASSY, rear hub	1	1	1	1	1	1	
8	42045-005	NUT, 10 m/m	6	6	6	6	6	6	
9	92088-007	WASHER, lock	3	3	3	3	3	3	
10	92050-027	OIL SEAL, AJN 40627	1	1	1	1	1	1	
11	481J6200	CIRCLIP, 62 m/m	1	1	1	1	1	1	
12	601B6206	BEARING, ball, # 6206C3	1	1	1	1	1	1	
13	42036-033	SLEEVE, rear hub coupling	1	1	1	1	1	1	
14	92003-087	BOLT, rear sprocket, 10 x 49	6	6	6	6	6	6	
15	41073-1013	SOLID WHEEL ASSY, rear	1	1		1	1	1	
	41073-1033	SOLID WHEEL ASSY, rear			1				
16	601B6304	BEARING, ball, # 6304C3	2	2	2	2	2	2	
17	671B2565	"O" RING, 65 m/m	1	1	1	1	1	1	
18	42014-033	SHOCK DAMPER, rear hub	1	1	1	1	1	1	
19	42010-039	SPACER, rear hub bearing	1	1	1	1	1	1	
20	481J5200	CIRCLIP, 52 m/m	1	1	1	1	1	1	
21	92052-006	OIL SEAL, WTC 35527	1	1	1	1	1	1	
22	92088-023	WASHER, lock	2	2	2	2	2	2	
23	92001-158	BOLT, hex head, 10 m/m	4	4	4	4	4	4	
24	42032-080	COLLAR, rear axle	1	1	1	1	1	1	
25	42031-034	AXLE, rear	1	1	1	1	1	1	
26	41075-1004	WEIGHT, balance, 10g	AR	AR	AR	AR	AR	AR	
27	41075-1005	WEIGHT, balance, 20g	AR	AR	AR	AR	AR	AR	
28	41075-1006	WEIGHT, balance, 30g	AR	AR	AR	AR	AR	AR	
29	41023-017	BAND, rim	1	1	1	1	1	1	
30	41022-031	TUBE, 4.00 - 18	1	1	1	1	1	1	
31	41021-041	TIRE, rear, 4.00H - 18 4PR	1	1		1		1	DUNLOP K87 MARK II
	41002-1042	TIRE, rear, 4.00V - 18 4PR				1		1	DUNLOP K87 MARK II
32	41024-1001	STOPPER, rim	2	2	2	2	2	2	

32. Fuel Tank

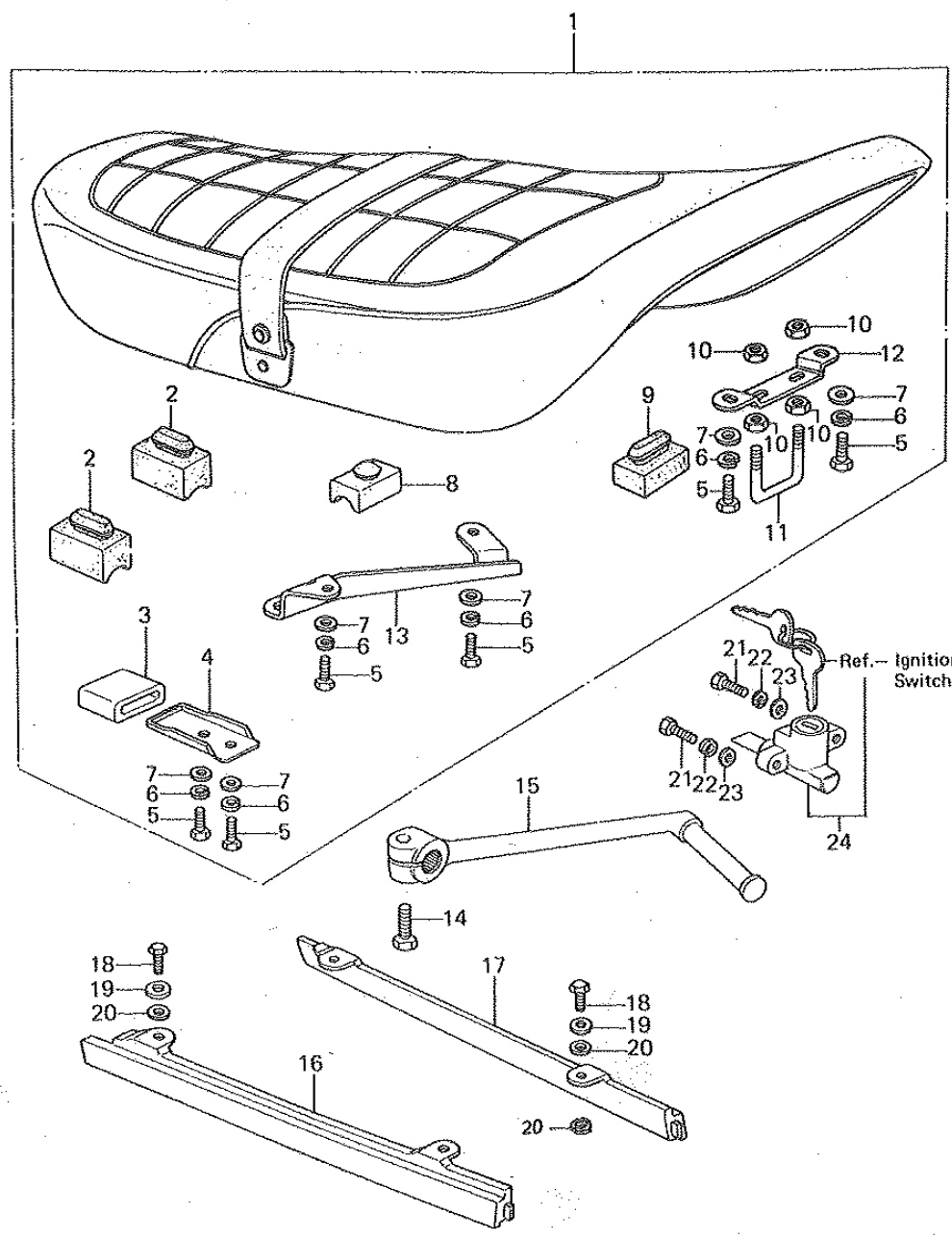
Rev. No.	Date
----------	------



Ref. No.	Part No.	Part Name	Quantity	Remarks
1	220B0510A	SCREW, pan-head, 5 x 10	1	
2	461F0500	WASHER, spring, 5 m/m	1	
3	51048-1002	CAP ASSY, fuel tank	1	
4	11009-1036	GASKET, fuel tank cap	1	
5	92075-125	DAMPER RUBBER, fuel tank	2	Front
6	92022-044	WASHER, plain	2	
7	92012-003	SCREW, countersunk head, 3 x 6	4	
8	56014-1006	EMBLEM, fuel tank	2	
9	92075-084	DAMPER RUBBER, fuel tank	2	Rear
10	51001-1009-7W	TANK, fuel, Metallic Stardust Silver	1	
11	92072-042	BAND, fuel tank	1	
12	11009-1037	GASKET, fuel gauge	1	
13	52005-1002	GAUGE, fuel	1	
14	92001-1069	BOLT, fuel gauge fitting	6	5 x 7.5
15	14025-1019	COVER, fuel gauge	1	
16	92037-147	CLAMP	2	
17	32032-1071	PIPE, fuel gauge	1	
18	702A07800	TUBE, rubber, 7 x 800	1	
19	92037-1058	CLAMP	2	
20	52014-1001	ELBOW	1	
21	703A09900	TUBE, rubber, 9 x 900	1	
22	51023-1007	TAP ASSY, fuel	1	
23	51035-009	NUT, fuel tap joint	1	
24	92065-081	GASKET, fuel tap joint	1	
25	670B2010	"O" RING, 10 m/m	1	

33. Dual Seat

Rev. No.	Date
----------	------

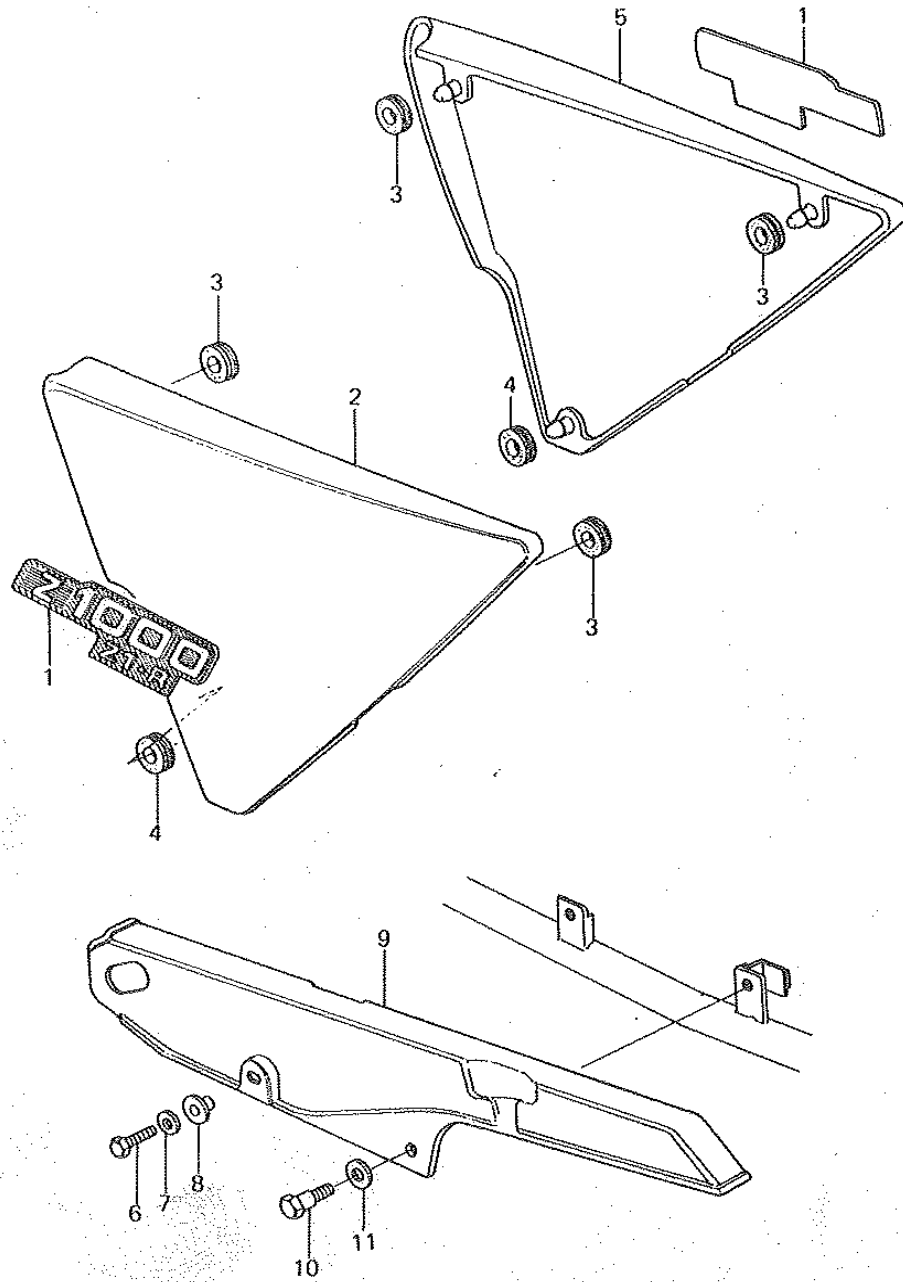


Ref. No.	Part No.	Part Name	Quantity	Remarks
1	53001-1015	SEAT ASSY, dual	1	
2	92075-139	DAMPER RUBBER, seat	2	
3	92075-219	DAMPER RUBBER	2	
4	11034-1135	BRACKET, seat	2	
5	110B0616	BOLT, hex head, 6 x 16	8	
6	461F0600	WASHER, spring, 6 m/m	8	
7	411B0600	WASHER, plain, 6 m/m	8	
8	92075-1041	DAMPER RUBBER	1	
9	92075-099	DAMPER RUBBER	1	
10	312B0600	NUT, 6 m/m	4	
11	53056-002	CATCH, seat	1	
12	53058-001	BRACKET, seat catch	1	
13	11034-1132	BRACKET, kick lever	1	
14	113B1025	BOLT, hex head, 10 x 25	1	
15	13059-1006	LEVER ASSY, kick	1	
16	14025-1023-7W	COVER, seat, front, L. H.	1	M. S. Silver
17	14025-1024-7W	COVER, seat, front, R. H.	1	M. S. Silver
18	92003-069	BOLT, hex head	4	
19	410B0800	WASHER, plain, 8 m/m	4	
20	92075-251	DAMPER RUBBER	8	
21	110B0515A	BOLT, hex head, 5 x 15	2	
22	461F0500	WASHER, spring, 5 m/m	2	
23	411B0500	WASHER, plain, 5 m/m	2	
24	27016-5008	LOCK ASSY, seat	1	

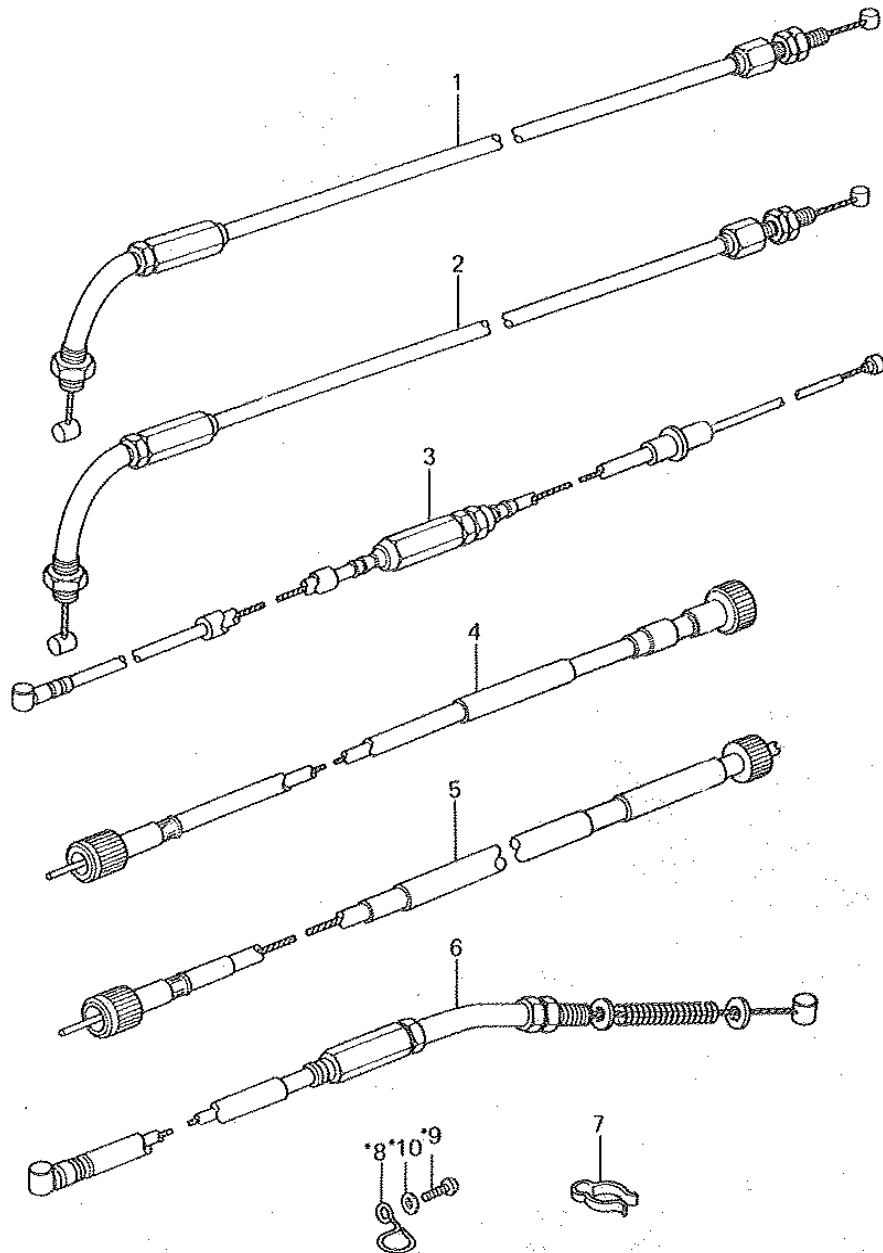
34. Side Covers, Chain Cover

Rev. No.		Date	
----------	--	------	--

Ref. No.	Part No.	Part Name	Quantity	Remarks
1	56018-1026	EMBLEM, side cover	2	
2	36001-1017-7W	COVER, L. H. side, Metallic Stardust Silver	1	
3	92071-056	GROMMET, side cover	4	26 m/m
4	92071-064	GROMMET, side cover	2	30 m/m
5	36001-1018-7W	COVER, R. H. side, Metallic Stardust Silver	1	
6	110N0618	BOLT, hex head, 6 x 18	1	
7	92022-125	WASHER, plain, 20 m/m	1	I.D = 6.5 φ
8	92027-260	COLLAR	1	
9	36014-1004	COVER, chain	1	
10	92001-115	BOLT, hex head, 6 x 14	1	
11	92022-195	WASHER, plain, 20 m/m	1	I.D = 8.5 φ

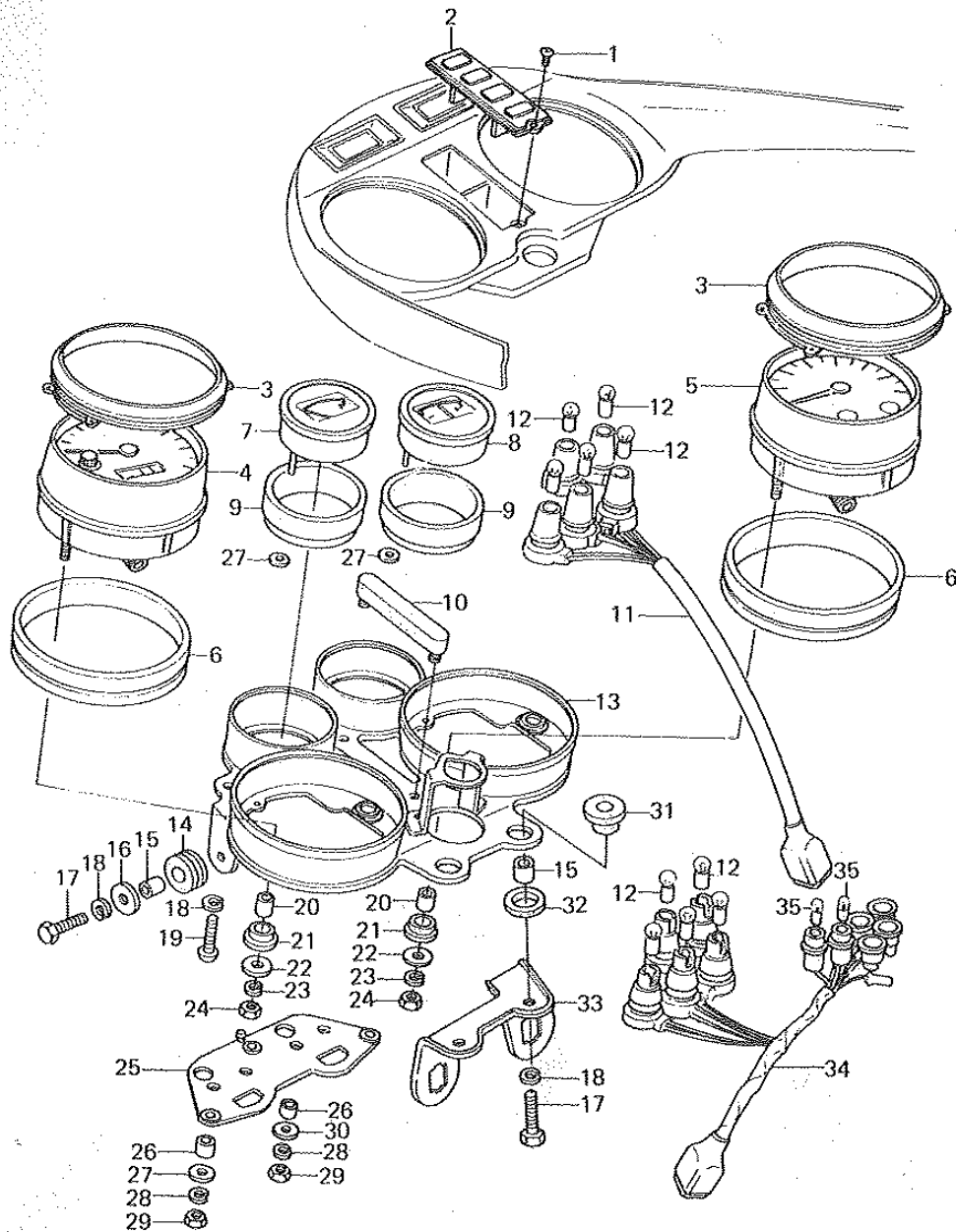


35. Cables



Ref. No.	Part No.	Part Name	Quantity					Remarks
			ENGLAND	FRANCE	W. GERMANY	ITALY	GENERAL	
1	54012-1018	CABLE, throttle control	1	1	1	1	1	for opening
2	54012-1019	CABLE, throttle control	1	1	1	1	1	for closing
3	54011-070	CABLE, clutch	1	1	1	1	1	
4	54018-1004	CABLE, tachometer	1	1	1	1	1	
5	54001-040	CABLE, speedometer	1	1	1	1	1	
6	54005-1012	CABLE, front brake	1	1	1	1	1	
7	92037-093	CLAMP, clutch cable	1	1	1	1	1	
*8	92037-092	CLAMP				1	1	
*9	22080514A	SCREW, pan head, 5 x 14				1	1	
*10	41080500	WASHER, plain, 5 m/m				1	1	

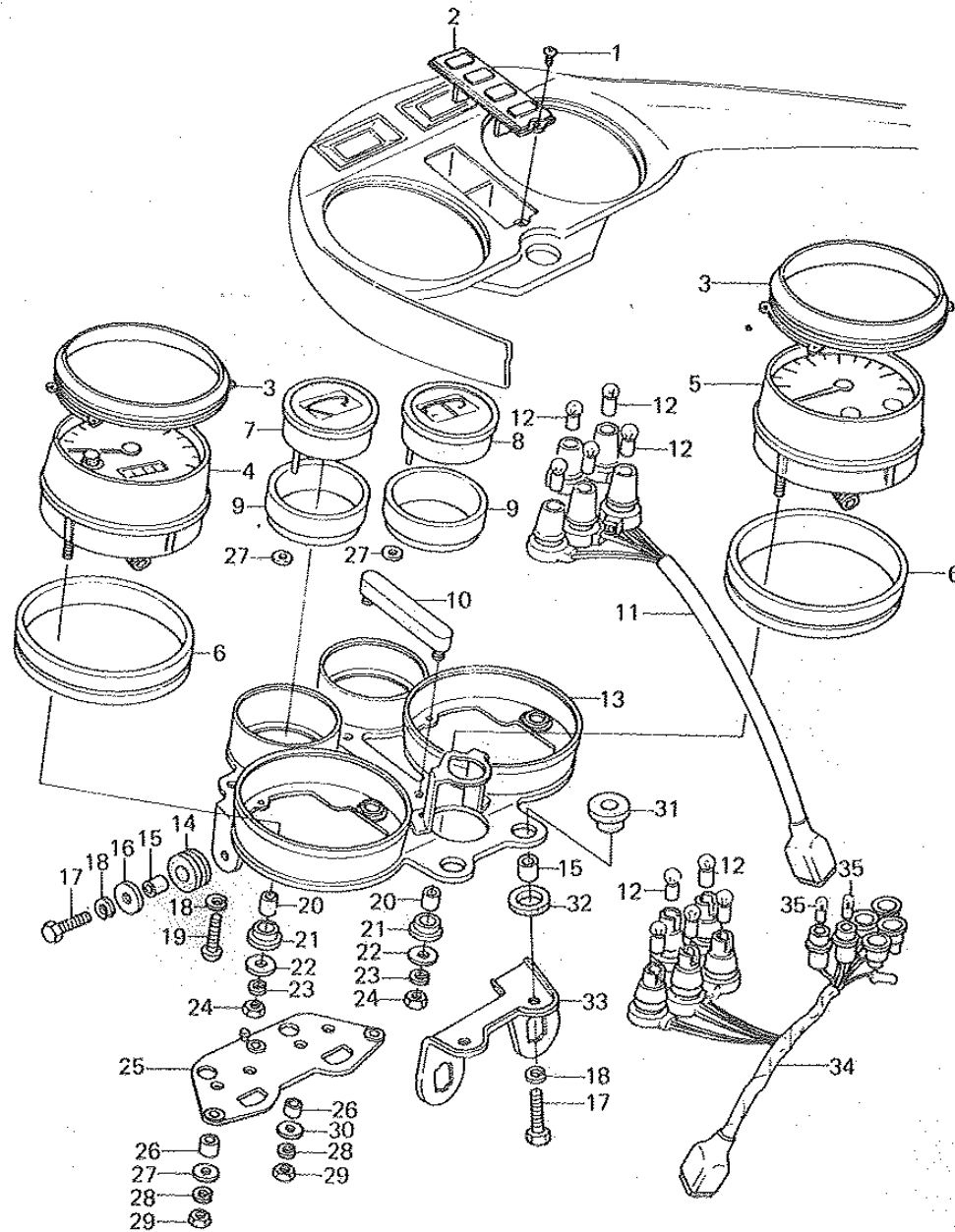
36. Speedometer, Tachometer (1/2)



Ref. No.	Part No.	Part Name	Quantity					Remarks	
			ENGLAND	FRANCE	W. GERMANY	ITALY	GENERAL SWEDEN		
1	92009-1028	SCREW, 3 x 12	1	1	1	1	1	1	
2	25023-1004	COVER, meter indicator	1	1	1	1	1	1	
3	92075-1049	DAMPER RUBBER, meter	2	2	2	2	2	2	
4	25005-1022	SPEEDOMETER ASSY, MPH	1						
	25005-1023	SPEEDOMETER ASSY, KPH	1	1	1	1	1	1	
5	25015-1015	TACHOMETER ASSY	1	1					
	25015-1030	TACHOMETER ASSY			1			1	
6	92075-1050	DAMPER RUBBER, meter	2	2	2	2	2	2	
7	28011-1001	METER, fuel gauge	1	1	1	1	1	1	
8	28011-1002	METER, ammeter	1	1	1	1	1	1	
9	92075-1051	DAMPER RUBBER, gauge	2	2	2	2	2	2	
10	92075-1053	DAMPER RUBBER	1	1	1	1	1	1	
11	23008-1021	SOCKET ASSY, indicator	1	1					
	23008-1024	SOCKET ASSY, indicator			1			1	
12	92069-018	BULB, 12V 3W	10	10				10	10
	92069-018	BULB, 12V 3W			9			9	
13	25008-1008	BRACKET, meter	1	1	1	1	1	1	
14	92075-1036	DAMPER RUBBER	2	2	2	2	2	2	
15	92027-156	COLLAR	4	4	4	4	4	4	
16	92022-228	WASHER, plain	2	2	2	2	2	2	
17	110B0625	BOLT, hex head, 6 x 25	4	4	4	4	4	4	
18	461F0600	WASHER, spring, 6 m/m	6	6	6	6	6	6	
19	220B0612	SCREW, pan head, 6 x 12	2	2	2	2	2	2	
20	92027-211	COLLAR	4	4	4	4	4	4	
21	92075-172	DAMPER RUBBER	4	4	4	4	4	4	
22	92022-241	WASHER, plain	4	4	4	4	4	4	
23	461F0500	WASHER, spring, 5 m/m	4	4	4	4	4	4	
24	312B0500A	NUT, 5 m/m	4	4	4	4	4	4	
25	92075-1052	DAMPER RUBBER	1	1	1	1	1	1	
26	92027-1075	COLLAR	7	7	7	7	7	7	
27	92022-1052	WASHER, plain, 4.2φ x 12φ x 0.6t	7	7	7	7	7	7	
28	461F0400	WASHER, spring, 4 m/m	7	7	7	7	7	7	
29	310B0400A	NUT, 4 m/m	7	7	7	7	7	7	
30	92022-1051	WASHER, plain, 4.1φ x 12φ x 0.8t	4	4	4	4	4	4	

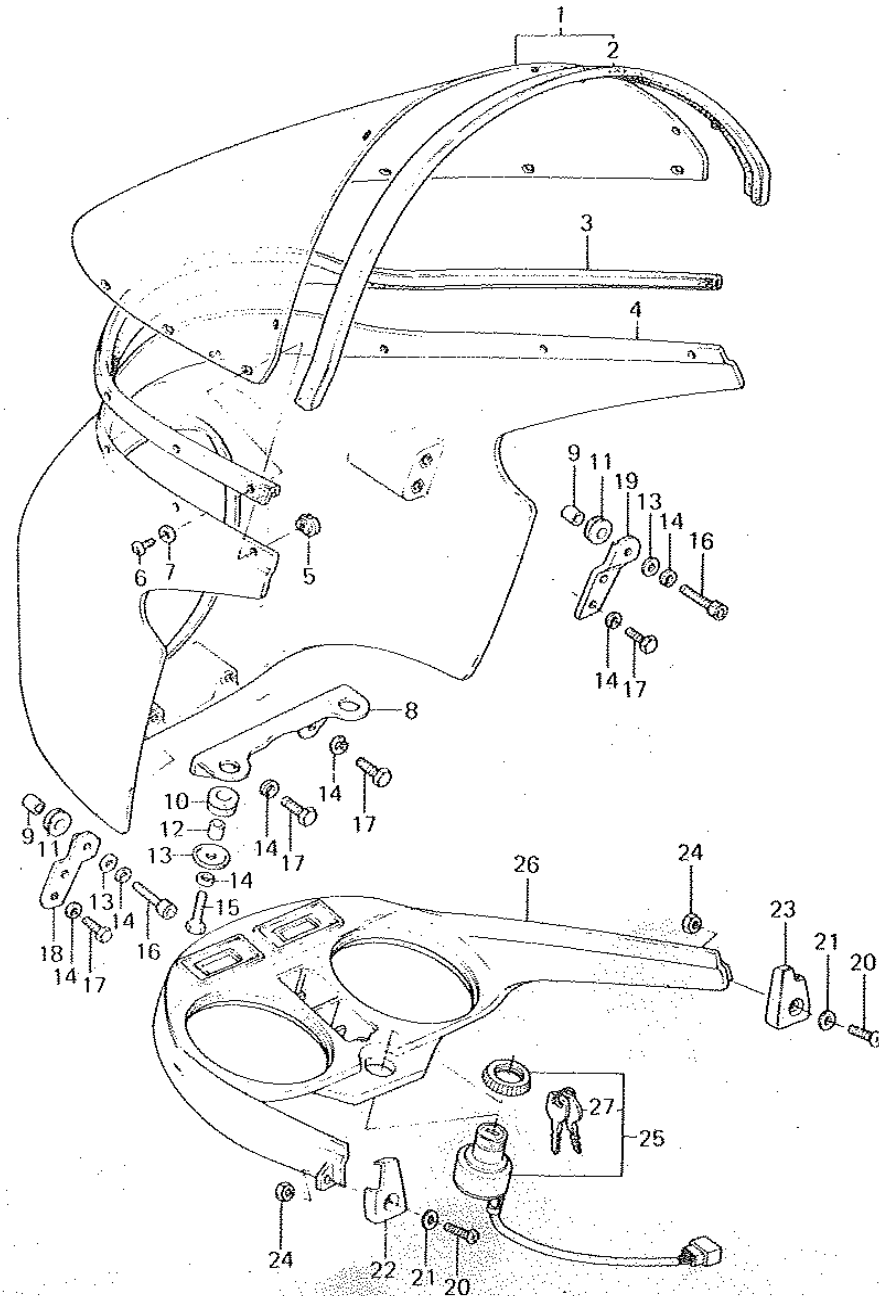
36. Speedometer, Tachometer (2/2)

Rev. No.	Date
----------	------



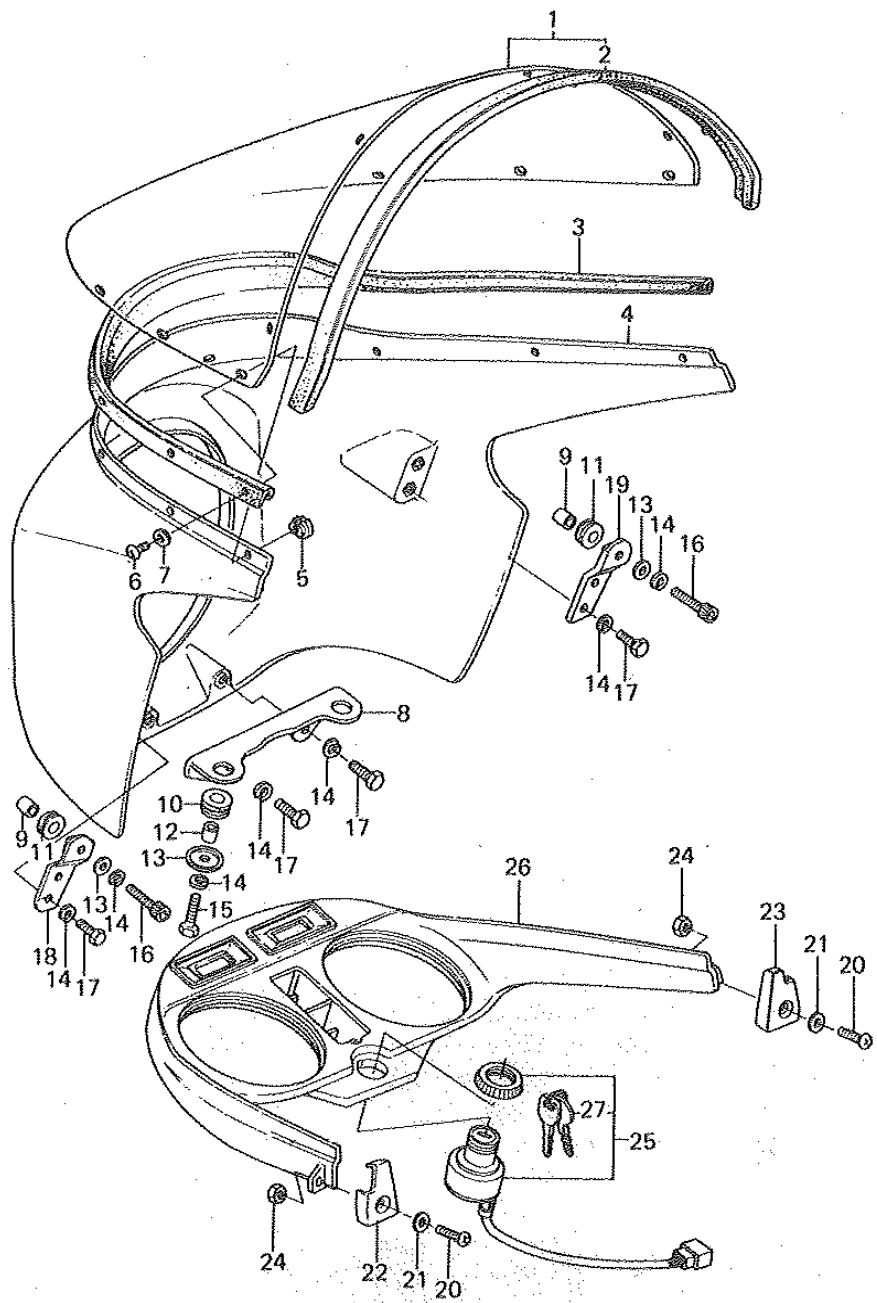
Ref. No.	Part No.	Part Name	Quantity					Remarks	
			ENGLAND	FRANCE	W. GERMANY	ITALY	GENERAL SWEDEN		
31	92075-1036	DAMPER RUBBER	2	2	2	2	2	2	
32	92075-1037	DAMPER RUBBER	2	2	2	2	2	2	
33	11034-1149	BRACKET	1	1	1	1	1	1	
34	23008-1022	SOCKET ASSY, meter	1	1	1	1	1	1	
35	92069-1003	BULB, 12V 2W	2	2	2	2	2	2	

37. Cowling, Ignition Switch (1/2)



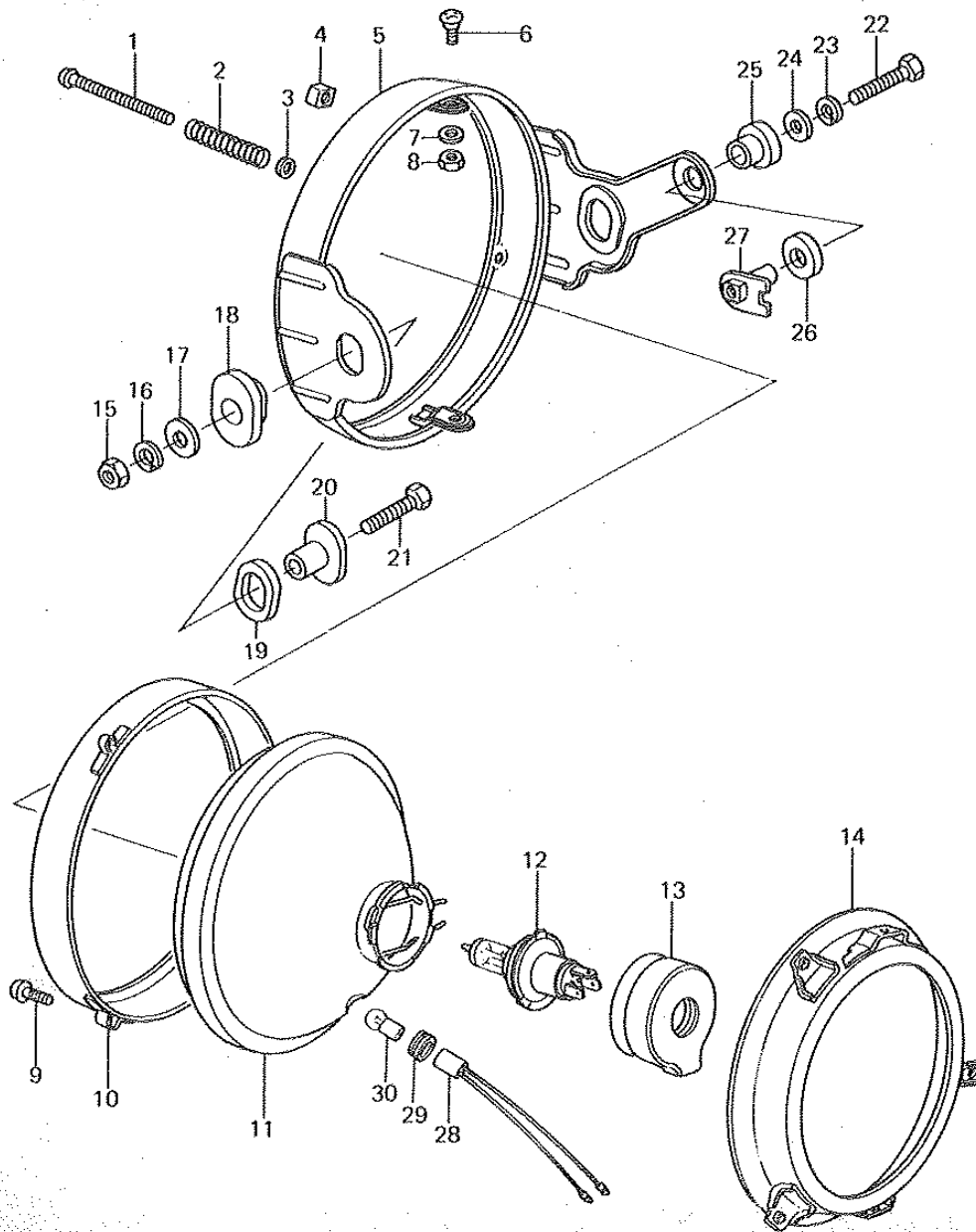
Ref. No.	Part No.	Part Name	Quantity					Remarks
			ENGLAND	FRANCE	W. GERMANY	ITALY	GENERAL SWEDEN	
1	39155-1001	WINDSHIELD ASSY	1	1	1	1	1	
2	53044-1003	TRIM, windshield	1	1	1	1	1	
3	53044-1002	TRIM, cowling	1	1	1	1	1	
*4	55028-1001-7W	COWLING, Metallic Stardust Silver	1	1	1	1	1	
	55028-1002-7W	COWLING, Metallic Stardust Silver			1			
5	92015-1025	NUT, windshield fitting	8	8	8	8	8	
*6	220B0510A	SCREW, pan head, 5 x 10	8	8	8	8	8	
	92009-1026	SCREW, pan head, 5 x 12, Black	8	8	8	8	8	
7	92022-1038	WASHER, plain	8	8	8	8	8	O.D. = 11 m/m
8	11034-1124	BRACKET, cowling fitting	1	1	1	1	1	
9	92027-241	COLLAR	2	2	2	2	2	
10	92071-1011	GROMMET	2	2	2	2	2	Lower
11	92071-1010	GROMMET	2	2	2	2	2	Upper
12	92027-120	COLLAR	2	2	2	2	2	
13	92022-286	WASHER	4	4	4	4	4	
14	461F0600	WASHER, spring, 6 m/m	10	10	10	10	10	
*15	110B0620	BOLT, hex head, 6 x 20	2	2	2	2	2	
	120P0620	BOLT, socket, 6 x 20	2	2	2	2	2	
16	120P0625	BOLT, socket, 6 x 25	2	2	2	2	2	
17	110B0614	BOLT, hex head, 6 x 14	6	6	6	6	6	
18	11034-1122	BRACKET, cowling fitting, L. H.	1	1	1	1	1	Upper
19	11034-1123	BRACKET, cowling fitting, R. H.	1	1	1	1	1	Upper
20	220B0512A	SCREW, pan head, 5 x 12	2	2	2	2	2	
21	410B0500	WASHER, plain, 5 m/m	2	2	2	2	2	
22	11012-1025	CAP, cowling fitting, L. H.	1	1	1	1	1	
23	11012-1026	CAP, cowling fitting, R. H.	1	1	1	1	1	
24	92015-1025	NUT, 5 m/m	2	2	2	2	2	
25	27005-5005	SWITCH ASSY, ignition	1	1	1	1	1	
26	25023-1002	COVER, meter case	1	1	1	1	1	
27	27008-1004-01	KEY SET, # 801	1	1	1	1	1	
	27008-1004-02	KEY SET, # 802	1	1	1	1	1	
	27008-1004-03	KEY SET, # 803	1	1	1	1	1	
	27008-1004-04	KEY SET, # 804	1	1	1	1	1	
	27008-1004-05	KEY SET, # 805	1	1	1	1	1	
	27008-1004-06	KEY SET, # 806	1	1	1	1	1	
	27008-1004-07	KEY SET, # 807	1	1	1	1	1	
	27008-1004-08	KEY SET, # 808	1	1	1	1	1	
	27008-1004-09	KEY SET, # 809	1	1	1	1	1	
	27008-1004-10	KEY SET, # 810	1	1	1	1	1	

37. Cowling, Ignition Switch (2/2)



Ref. No.	Part No.	Part Name	Quantity	Remarks
	27008-1004-11	KEY SET, # 811	1	
	27008-1004-12	KEY SET, # 812	1	
	27008-1004-13	KEY SET, # 813	1	
	27008-1004-14	KEY SET, # 814	1	
	27008-1004-15	KEY SET, # 815	1	
	27008-1004-16	KEY SET, # 816	1	
	27008-1004-17	KEY SET, # 817	1	
	27008-1004-18	KEY SET, # 818	1	
	27008-1004-19	KEY SET, # 819	1	
	27008-1004-20	KEY SET, # 820	1	
	27008-1004-21	KEY SET, # 821	1	
	27008-1004-22	KEY SET, # 822	1	
	27008-1004-23	KEY SET, # 823	1	
	27008-1004-24	KEY SET, # 824	1	
	27008-1004-25	KEY SET, # 825	1	
	27008-1004-26	KEY SET, # 826	1	
	27008-1004-27	KEY SET, # 827	1	
	27008-1004-28	KEY SET, # 828	1	
	27008-1004-29	KEY SET, # 829	1	
	27008-1004-30	KEY SET, # 830	1	
	27008-1004-31	KEY SET, # 831	1	
	27008-1004-32	KEY SET, # 832	1	
	27008-1004-33	KEY SET, # 833	1	
	27008-1004-34	KEY SET, # 834	1	
	27008-1004-35	KEY SET, # 835	1	
	27008-1004-36	KEY SET, # 836	1	
	27008-1004-37	KEY SET, # 837	1	
	27008-1004-38	KEY SET, # 838	1	
	27008-1004-39	KEY SET, # 839	1	
	27008-1004-40	KEY SET, # 840	1	
	27008-1004-41	KEY SET, # 841	1	
	27008-1004-42	KEY SET, # 842	1	
	27008-1004-43	KEY SET, # 843	1	
	27008-1004-44	KEY SET, # 844	1	
	27008-1004-45	KEY SET, # 845	1	

38. Head Lamp

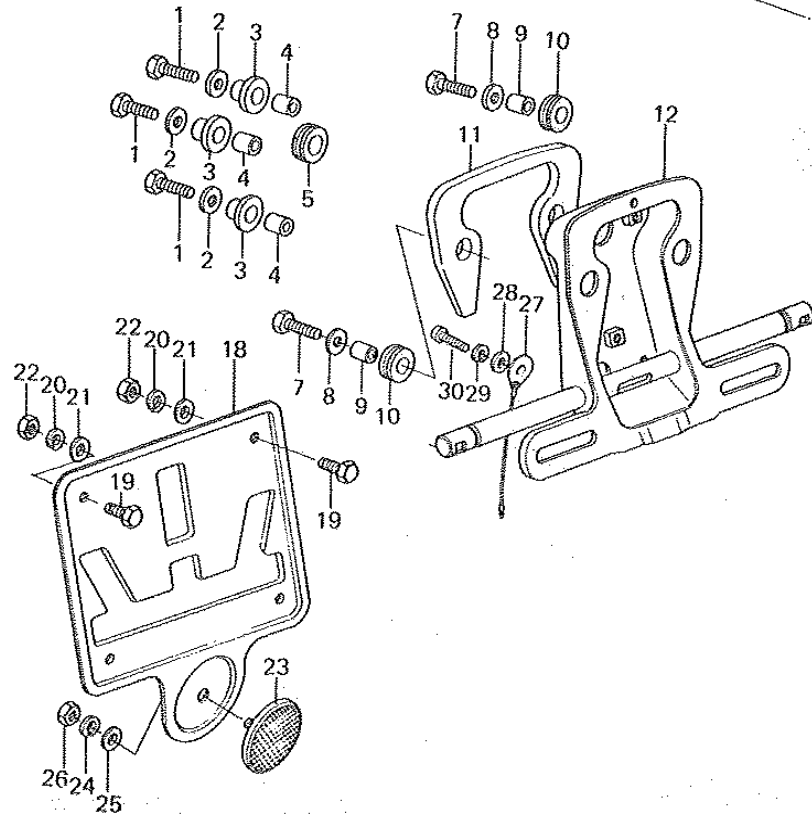
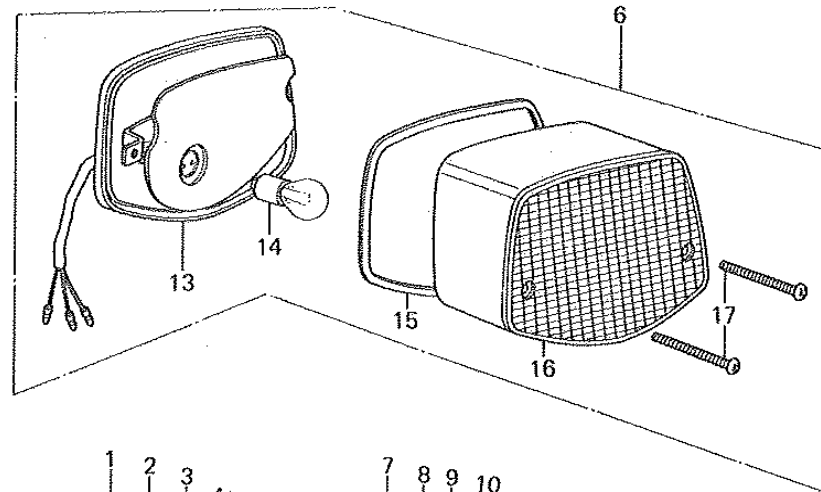


Rev. No.	Date
----------	------

Ref. No.	Part No.	Part Name	Quantity					Remarks	
			ENGLAND	FRANCE	W. GERMANY	ITALY	GENERAL SWEDEN		
1	92009-1033	SCREW, focus adjusting, 4 x 52	1	1	1	1	1	1	
2	23014-005	SPRING, focus adjusting	1	1	1	1	1	1	
3	23021-004	WASHER, plain	1	1	1	1	1	1	
4	23020-018	NUT, 5 m/m	1	1	1	1	1	1	
5	23006-1003	RIM, head lamp	1	1	1	1	1	1	
6	23019-023	SCREW, pan head, 5 x 12	2	2	2	2	2	2	
7	23021-012	WASHER, plain, 5 m/m	2	2	2	2	2	2	
8	23020-020	NUT, 5 m/m	2	2	2	2	2	2	
9	220B0312A	SCREW, pan head, 3 x 12	2	2	2	2	2	2	
10	23072-001	RETAINER	1	1	1	1	1	1	
11	23007-1010	LENS UNIT, head lamp		1	1	1	1	1	
	23007-1011	LENS UNIT, head lamp	1						
12		BULB, 12V - 60/55W	1		1	1	1	1	Local Procurement Item
		BULB, 12V - 60/55W, Yellow (PHILIPS H4-12342)		1					
13	49016-1016	COVER, dust	1	1	1	1	1	1	
14	23074-001	RING, head lamp mounting	1	1	1	1	1	1	
15	315B1000	NUT, 10 m/m	2	2	2	2	2	2	
16	461F1000	WASHER, spring, 10 m/m	2	2	2	2	2	2	
17	411B1000	WASHER, plain, 10 m/m	2	2	2	2	2	2	
18	23066-022	DAMPER RUBBER	2	2	2	2	2	2	
19	23066-021	DAMPER RUBBER	2	2	2	2	2	2	
20	23052-011	COLLAR	2	2	2	2	2	2	
21	11381045	BOLT, hex head, 10 x 45	2	2	2	2	2	2	
22	110B0635	BOLT, hex head, 6 x 35	1	1	1	1	1	1	
23	461F0600	WASHER, spring, 6 m/m	1	1	1	1	1	1	
24	411B0600	WASHER, plain, 6 m/m	1	1	1	1	1	1	
25	92075-1004	DAMPER RUBBER	1	1	1	1	1	1	
26	92075-310	DAMPER RUBBER	1	1	1	1	1	1	
27	92015-1024	NUT	1	1	1	1	1	1	
28	23008-038	SOCKET, parking lamp	1	1	1	1	1	1	
29	23066-008	DAMPER RUBBER	1	1	1	1	1	1	
30		BULB, 12V - 4W	1	1	1	1	1	1	Local Procurement Item

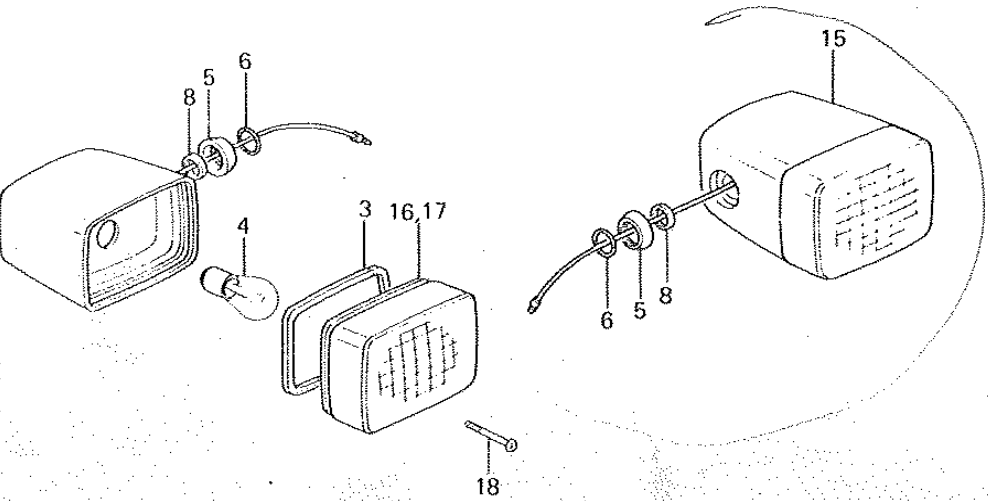
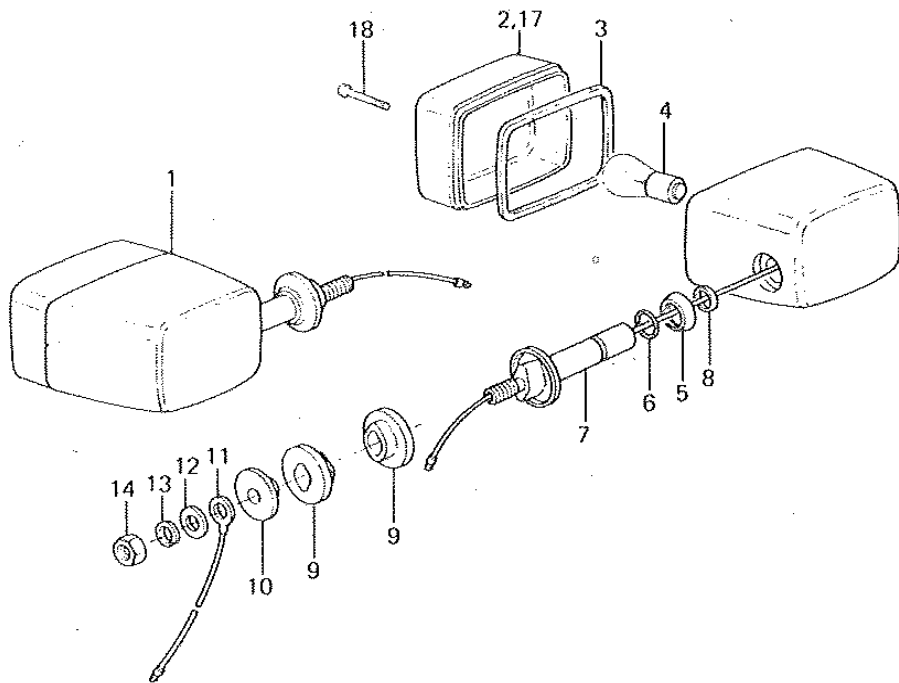
39. Tail Lamp

Rev. No.		Date	
----------	--	------	--



Ref. No.	Part No.	Part Name	Quantity					Remarks
			ENGLAND	FRANCE	W. GERMANY	ITALY	GENERAL	
1	110B0620	BOLT, hex head, 6 x 20	3	3	3	3	3	
2	92022-125	WASHER, plain, 6 m/m	3	3	3	3	3	
3	92075-112	DAMPER RUBBER	3	3	3	3	3	
4	92027-120	COLLAR	3	3	3	3	3	
5	92071-019	GROMMET, harness	1	1	1	1	1	
6	23025-066	LAMP ASSY, tail	1	1	1	1	1	
7	110B0618	BOLT, hex head, 6 x 18	2	2	2	2	2	
8	92022-125	WASHER, plain, 6 m/m	2	2	2	2	2	
9	92027-129	COLLAR	2	2	2	2	2	
10	23066-020	DAMPER RUBBER	2	2	2	2	2	
11	23066-019	DAMPER RUBBER, tail lamp	1	1	1	1	1	
12	23036-1007	BRACKET, license plate	1	1	1	1	1	
13	23027-042	CASE, tail lamp	1	1	1	1	1	
14		BULB, 12V 21/5W	1	1	1	1	1	Local Procurement Item
15	23028-021	GASKET, tail lamp lens	1	1	1	1	1	
16	23026-035	LENS, tail lamp	1	1	1	1	1	
17	220E0460A	SCREW, pan head, 4 x 60	2	2	2	2	2	
18	11034-1154	BRACKET, license plate				1		
19	110B0612	BOLT, hex head, 6 x 12				2		
20	461F0600	WASHER, spring, 6 m/m				2		
21	411B0600	WASHER, plain, 6 m/m				2		
22	311B0600	NUT, 6 m/m				2		
23	28012-1001	REFLECTOR, reflex				1		
24	461F0500	WASHER, spring, 5 m/m				1		
25	410B0500	WASHER, plain, 5 m/m				1		
26	312B0500A	NUT, 5 m/m				1		
27	26011-082	WIRE, turn signal lamp ground lead	1	1	1	1	1	
28	410B0600	WASHER, plain, 6 m/m	1	1	1	1	1	
29	461F0600	WASHER, spring, 6 m/m	1	1	1	1	1	
30	220B0612	SCREW, pan head, 6 x 12	1	1	1	1	1	

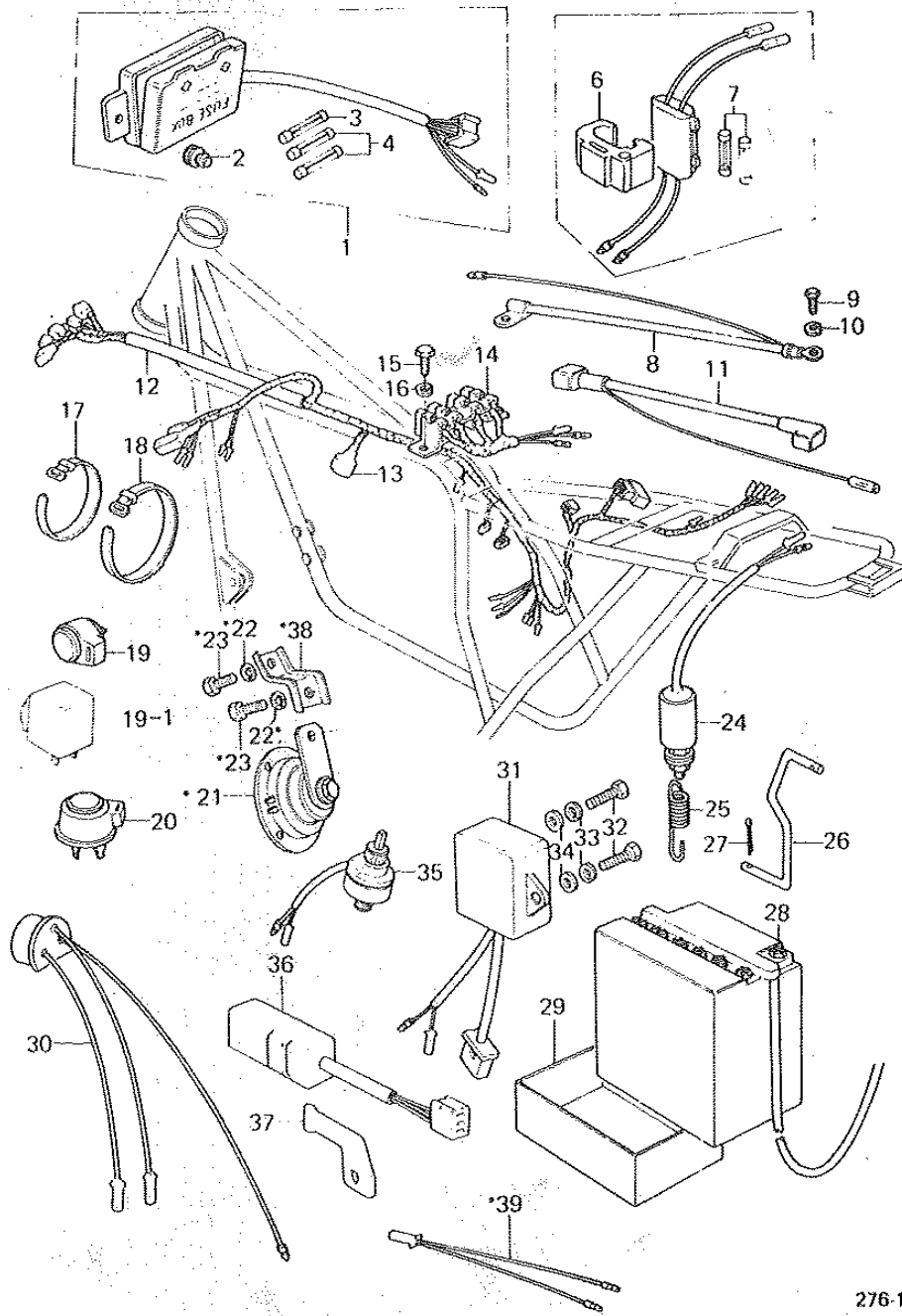
40. Turn Signal Lamp



Ref. No.	Part No.	Part Name	Quantity					Remarks	
			ENGLAND	FRANCE	W.GERMANY	ITALY	GENERAL SWEDEN		
1	23037-1033	LAMP ASSY, turn signal, Front	2	2		2	2	2	
	23037-1034	LAMP ASSY, turn signal, Front			2				
*2	23048-1004	LENS, turn signal WHN EXH USE 23048-1009	2	2		2	2	2	Front Use for Austrian Mark
	23048-1009	LENS, turn signal (A 29980)							Local Procurement Item
3	11009-1034	GASKET, turn signal lamp lens	4	4	4	4	4	4	
4		BULB, 12V-21W	4	4	4	4	4	4	
5	43058-1002	RING	4	4	4	4	4	4	
6	670B2012	"O" RING, 12 m/m	4	4	4	4	4	4	
7	23051-1012	BRACKET, turn signal lamp	2	2	2	2	2	2	
8	11009-1048	GASKET, turn signal lamp	4	4	4	4	4	4	
9	92075-1014	DAMPER RUBBER	4	4	4	4	4	4	
10	92027-1059	COLLAR	2	2	2	2	2	2	
11	26011-063	WIRE, turn signal lamp ground lead	2	2	2	2	2	2	
12	92022-239	WASHER, plain, 10.5φ x 20φ x 1t	2	2	2	2	2	2	
13	461F1000	WASHER, spring, 10 m/m	2	2	2	2	2	2	
14	315B1000	NUT, 10 m/m	2	2	2	2	2	2	
15	23040-1015	LAMP ASSY, turn signal, Rear	2	2		2	2	2	
	23040-1016	LAMP ASSY, turn signal, Rear			2				
16	23048-1005	LENS, turn signal lamp	2	2		2	2	2	Rear
*17	23048-1007	LENS, turn signal lamp			4				
*18	220E0430A	SCREW, pan head, 4 x 30			4				

41. Electrical Equipments (1/2)

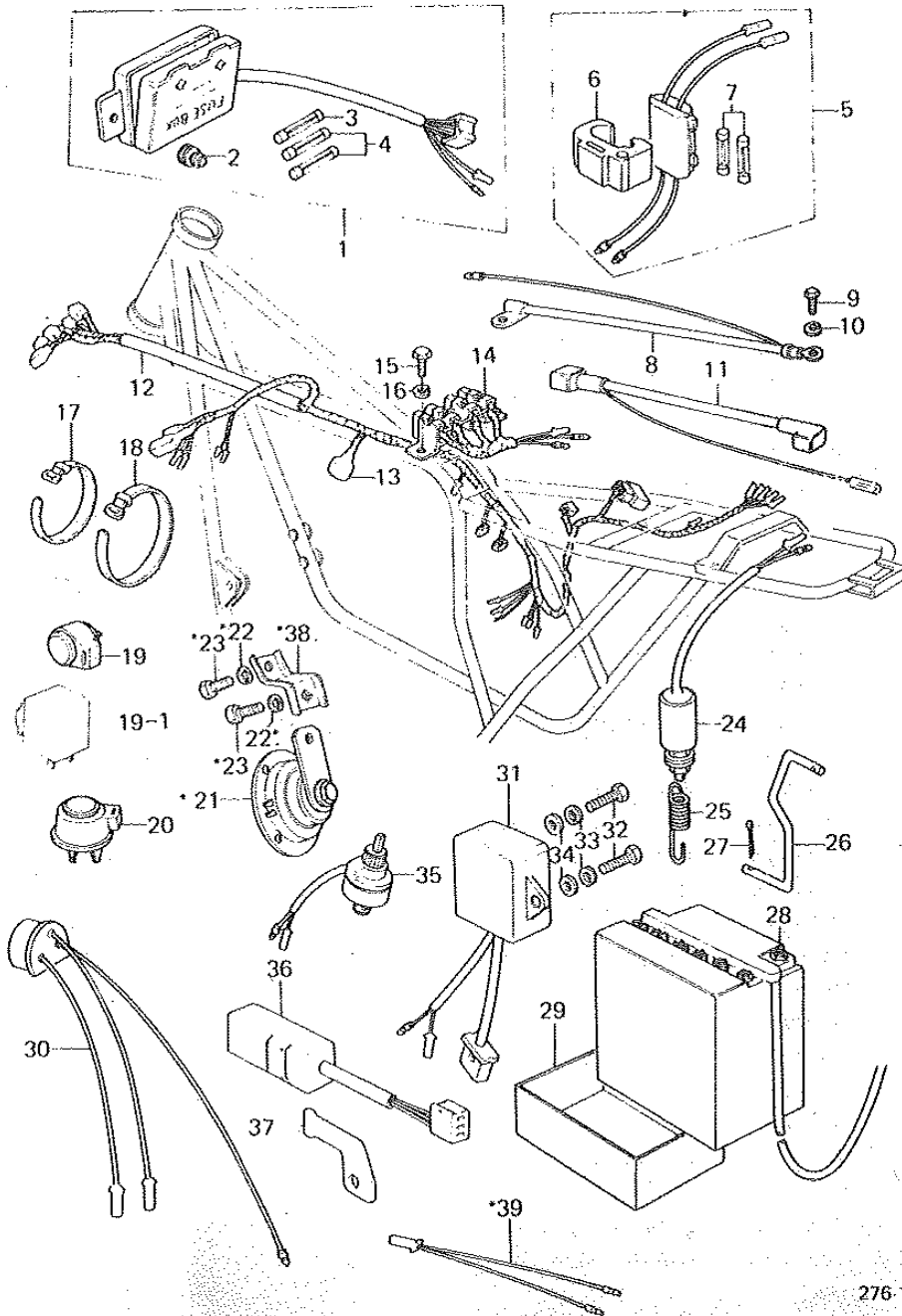
Rev. No.	Date
----------	------



Ref. No.	Part No.	Part Name	Quantity					Remarks
			ENGLAND	FRANCE	W. GERMANY	ITALY	GENERAL SWEDEN	
1	26004-1002	FUSE ASSY, A	1	1	1	1	1	
2	92075-279	DAMPER RUBBER	1	1	1	1	1	
3	26006-005	FUSE, 20A	2	2	2	2	2	
4	26006-003	FUSE, 10A	3	3	3	3	3	
5	26004-1003	FUSE ASSY, B	1	1	1	1	1	
6	92075-1044	DAMPER RUBBER	1	1	1	1	1	
7	26006-1001	FUSE, 2A	3	3	3	3	3	L 30 m/m
8	26010-054	WIRE, battery ground lead	1	1	1	1	1	
9	92001-137	BOLT, hex head, 6 m/m	1	1	1	1	1	
10	461F0600	WASHER, spring, 6 m/m	1	1	1	1	1	
11	26011-1018	WIRE, starter lead	1	1	1	1	1	
12	26001-1043	WIRING HARNESS, main	1	1	1	1	1	
13	26009-003	COVER, wiring harness	1	1	1	1	1	
14	26001-1039	WIRING HARNESS, center	1	1	1	1	1	
15	11080612	BOLT, hex head, 6 x 12	2	2	2	2	2	
16	461F0600	WASHER, spring, 6 m/m	2	2	2	2	2	
17	92072-030	BAND, rubber	4	4	4	4	4	L 123 m/m
18	92072-056	BAND, rubber	7	7	7	7	7	L 186 m/m
19	27002-011	RELAY, turn signal	1	1	1	1	1	
19-1	27002-1002	RELAY, turn signal			1		1	
20	27002-016	RELAY, hazard	1	1	1	1	1	
*21	27003-065	HORN, WHN EXH USE 27003-1006	1	1	1	1	1	
	27003-1006	HORN	1	1	1	1	1	
	27003-1005	HORN				1		
*22	461F0800	WASHER, spring, 8 m/m	1	1	1	1	1	
	461F0800	WASHER, spring, 8 m/m				2		
*23	11080816	BOLT, hex head, 8 x 16	1	1	1	1	1	
	11080816	BOLT, hex head, 8 x 16				2		
24	27010-017	SWITCH, brake lamp	1	1	1	1	1	
25	27011-009	SPRING, brake lamp switch	1	1	1	1	1	
26	27012-010	HOOK, brake lamp switch	1	1	1	1	1	
27	550D1610	PIN, cotter, 1.6 x 10	1	1	1	1	1	
28	26012-049	BATTERY, 12V 13AH	1	1	1	1	1	YB-14
29	32099-015	RUBBER BAND, battery	1	1	1	1	1	
30	26001-1044	WIRING HARNESS, turn signal lamp			1		1	

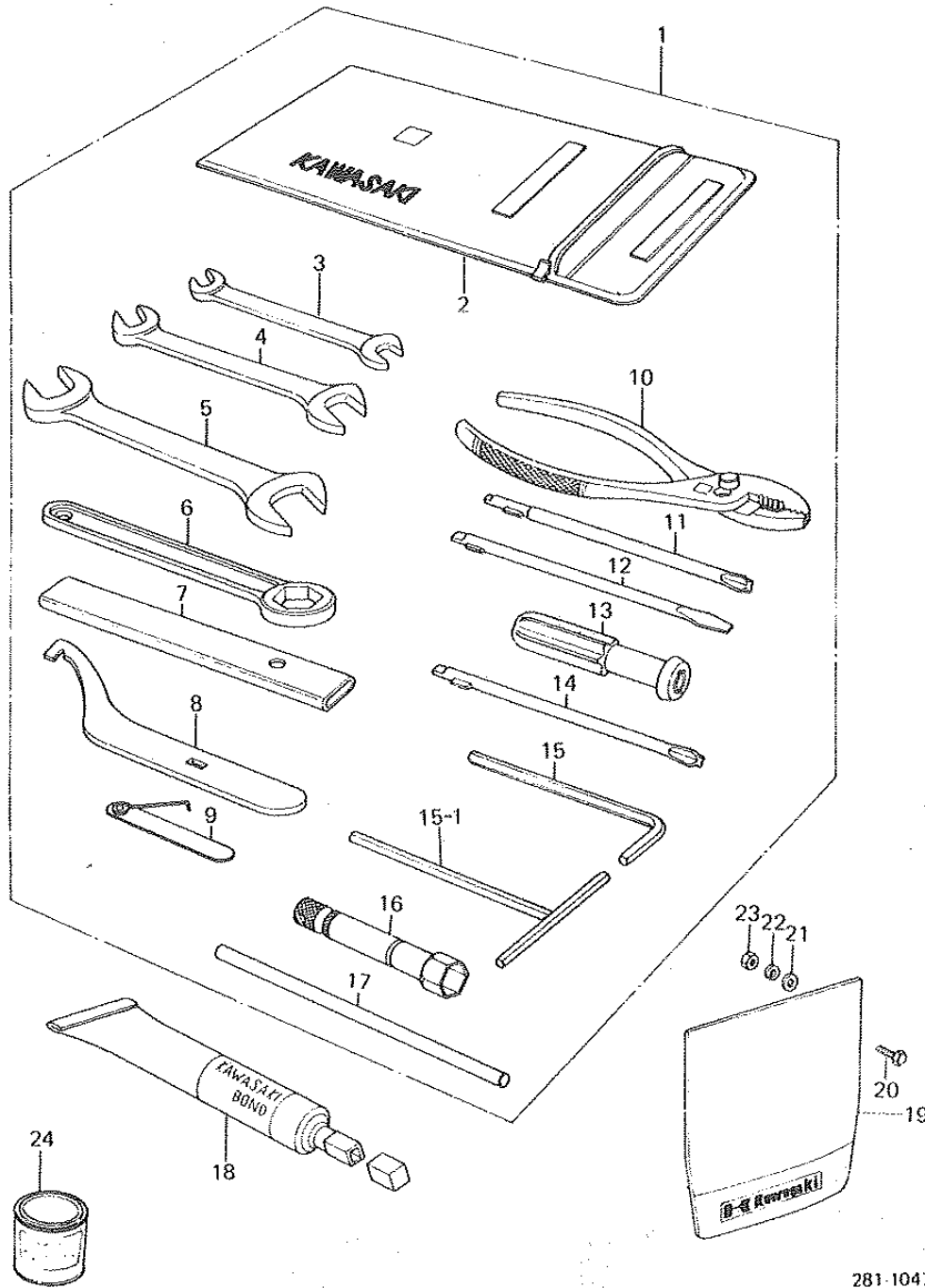
41. Electrical Equipments (2/2)

Rev. No. 99910-1014-50 Date Mar. 25, 1978



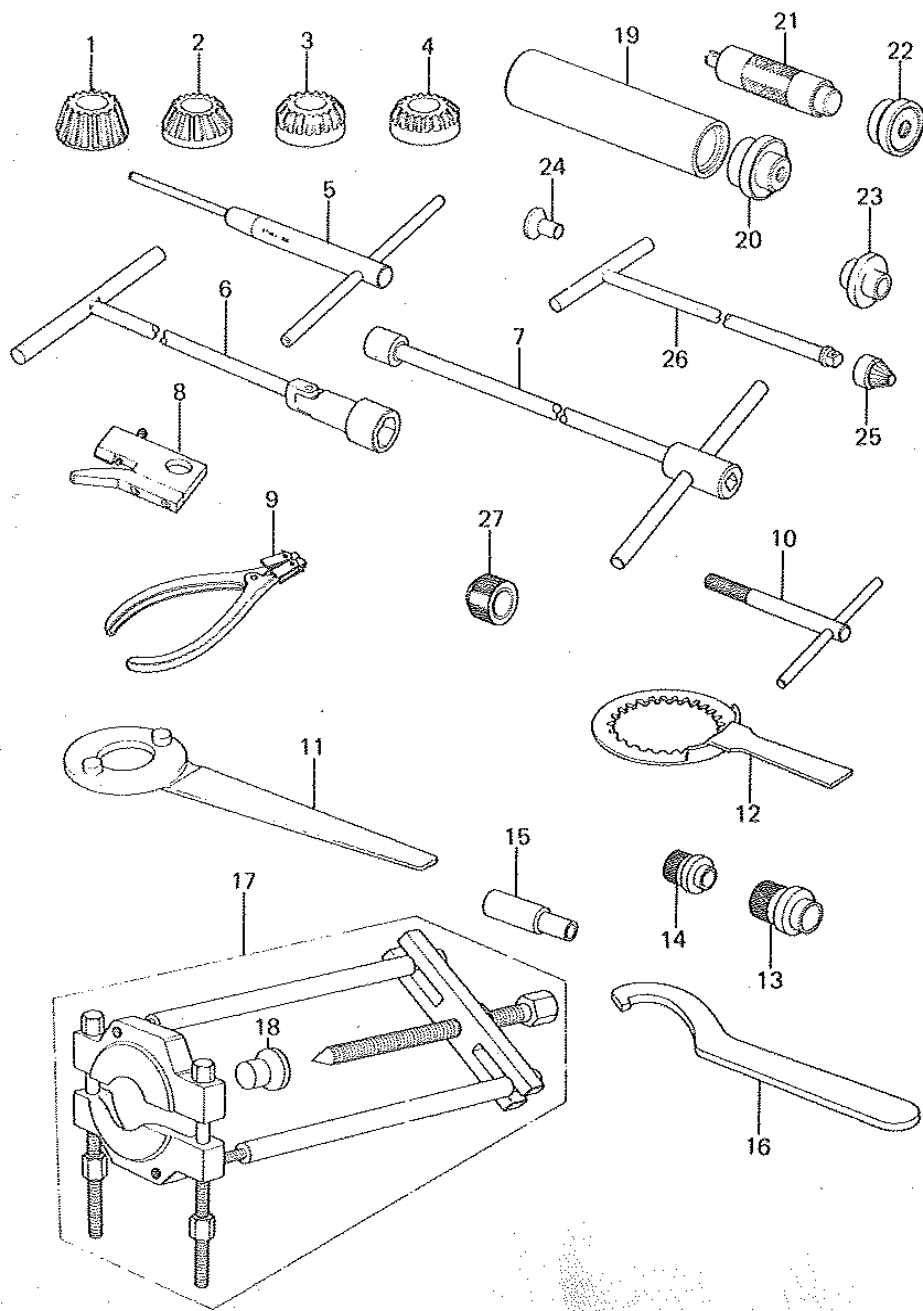
Ref. No.	Part No.	Part Name	Quantity					Remarks	
			ENGLAND	FRANCE	GERMANY	ITALY	SWEDEN		GENERAL
31	27010-1016	SWITCH, turn signal operating unit	1	1	1	1	1	1	
32	11080620	BOLT, hex head, 6 x 20	2	2	2	2	2	2	
33	461F0600	WASHER, spring, 6 m/m	2	2	2	2	2	2	
34	411B0600	WASHER, plain, 10 m/m	2	2	2	2	2	2	
35	27010-1017	SWITCH, combination	1	1	1	1	1	1	
36	28019-001	SWITCH, brake light	1	1	1	1	1	1	
37	32060-014	BRACKET, brake failure indicator switch	1	1	1	1	1	1	
*38	11034-1378	BRACKET, horn						1	
*39	26011-1044	WIRE, leaf						1	

42. Tools, Optional Parts



Ref. No.	Part No.	Part Name	Quantity					Remarks
			ENGLAND	FRANCE	ITALY W. GERMANY	SWEDEN	GENERAL	
*1	56007-1018	TOOL KIT	1	1	1	1	1	
	56007-1020	TOOL KIT			1			
2	56008-006	BAG, tool	1	1	1	1	1	
3	92126-001	WRENCH, open end, 8 x 10	1	1	1	1	1	
4	92126-002	WRENCH, open end, 12 x 13	1	1	1	1	1	
5	92126-003	WRENCH, open end, 14 x 17	1	1	1	1	1	
6	92109-009	WRENCH, box, 27 m/m	1	1	1	1	1	
7	92111-004	WRENCH, extender	1	1	1	1	1	
8	92110-1014	WRENCH, hook	1	1	1	1	1	
9	92128-001	GAGE, thickness, 0.35 m/m	1	1	1	1	1	
10	92112-003	PLIERS, 150 m/m	1	1	1	1	1	
11	92107-006	SCREW DRIVER, # 2 phillips	1	1	1	1	1	
12	92107-007	SCREW DRIVER, # 2 slot	1	1	1	1	1	
13	92106-004	GRIP, screw driver	1	1	1	1	1	
14	92107-008	SCREW DRIVER, # 2 phillips	1	1	1	1	1	
15	92110-1015	WRENCH, allen	1	1	1	1	1	
*15-1	92110-1017	WRENCH, allen			1			
16	92108-008	WRENCH, spark plug	1	1	1	1	1	
17	92111-005	LEVER	1	1	1	1	1	
18	92104-002	LIQUID GASKET, 100g Tube	(1)	(1)	(1)	(1)	(1)	
19	35019-1005	FLAP, rear fender	1	1	1	1	1	
20	92001-134	BOLT	2	2	2	2	2	
21	92022-104	WASHER	2	2	2	2	2	
22	461F0500	WASHER, spring, 5 m/m	2	2	2	2	2	Option
23	312B0500A	NUT, 5 m/m	2	2	2	2	2	
24	56019-108-7W	PAINT, Metallic Stardust Silver, 1/12 L	(1)	(1)	(1)	(1)	(1)	

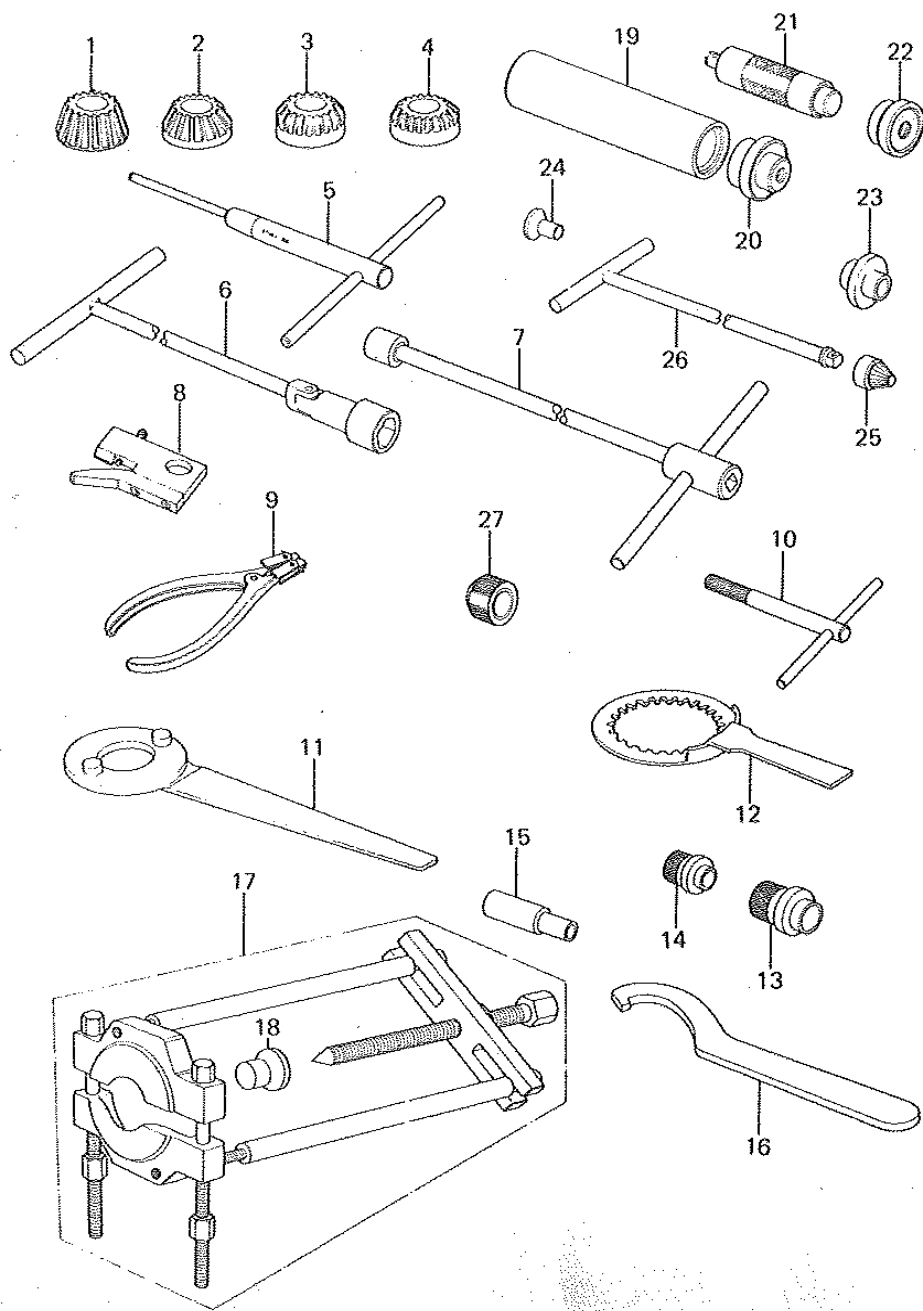
43. Special Tools A



Ref. No.	Part No.	Part Name	Quantity	Remarks
1	57001-101	CUTTER, valve seat, 30°	1	
2	57001-102	CUTTER, valve seat, 45°	1	
3	57001-103	CUTTER, valve seat, 60°	1	INLET
4	57001-104	CUTTER, valve seat, 60°	1	EXHAUST
5	57001-106	HOLDER, valve seat cutter	1	
6	57001-110	WRENCH, spark plug	1	
7	57001-111	WRENCH, cylinder head bolt	1	
8	57001-113	HOLDER, valve lifter	1	
9	57001-115	PLIERS, piston ring	1	
*10	57001-116	PULLER, dynamo rotor	1	
		WHN EXH USE 57001-1016		
	57001-1016	PULLER, dynamo rotor	1	
11	57001-118	HOLDER, engine sprocket	1	
12	57001-119	HOLDER, clutch	1	
13	57001-131	GUIDE, kickshaft oil seal	1	
14	57001-266	GUIDE, change shaft oil seal	1	
15	57001-132	HOLDER, boots stopper	1	
16	57001-134	WRENCH, stem nut	1	
17	57001-135	PULLER, bearing	1	
18	57001-136	ADAPTER, stem bearing	1	
19	57001-137	DRIVER, stem bearing	1	
20	57001-138	DRIVER, stem cup	1	
21	57001-139	HOLDER, bearing driver	1	
22	57001-140	DRIVER, bearing	1	
23	57001-296	DRIVER, bearing	1	
24	57001-317	ADAPTER, bearing puller	1	
25	57001-1011	ADAPTER, front fork cylinder	1	
26	57001-183	HANDLE, front fork cylinder	1	
27	57001-141	DRIVER, front fork oil seal	1	

43. Special Tools A

Rev. No. 99910-1014-50 Date Mar. 25, 1978



Ref. No.	Part No.	Part Name	Quantity	Remarks
1	57001-101	CUTTER, valve seat, 30°	1	
2	57001-102	CUTTER, valve seat, 45°	1	
3	57001-103	CUTTER, valve seat, 60°	1	INLET
4	57001-104	CUTTER, valve seat, 60°	1	EXHAUST
5	57001-106	HOLDER, valve seat cutter	1	
6	57001-110	WRENCH, spark plug	1	
7	57001-111	WRENCH, cylinder head bolt	1	
8	57001-113	HOLDER, valve lifter	1	
9	57001-115	PLIERS, piston ring	1	
*10	57001-116	PULLER, dynamo rotor	1	
		WHN EXH USE 57001-1016		
	57001-1016	PULLER, dynamo rotor	1	
11	57001-118	HOLDER, engine sprocket	1	
12	57001-119	HOLDER, clutch	1	
13	57001-131	GUIDE, kickshaft oil seal	1	
14	57001-266	GUIDE, change shaft oil seal	1	
15	57001-132	HOLDER, boots stopper	1	
16	57001-134	WRENCH, stem nut	1	
17	57001-135	PULLER, bearing	1	
18	57001-136	ADAPTER, stem bearing	1	
19	57001-137	DRIVER, stem bearing	1	
20	57001-138	DRIVER, stem cup	1	
21	57001-139	HOLDER, bearing driver	1	
22	57001-140	DRIVER, bearing	1	
23	57001-296	DRIVER, bearing	1	
24	57001-317	ADAPTER, bearing puller	1	
25	57001-1011	ADAPTER, front fork cylinder	1	
26	57001-183	HANDLE, front fork cylinder	1	
27	57001-141	DRIVER, front fork oil seal	1	